

Notification about the transfer of the semiconductor business

The semiconductor business of Panasonic Corporation was transferred on September 1, 2020 to Nuvoton Technology Corporation (hereinafter referred to as "Nuvoton"). Accordingly, Panasonic Semiconductor Solutions Co., Ltd. became under the umbrella of the Nuvoton Group, with the new name of Nuvoton Technology Corporation Japan (hereinafter referred to as "NTCJ").

In accordance with this transfer, semiconductor products will be handled as NTCJ-made products after September 1, 2020. However, such products will be continuously sold through Panasonic Corporation.

Publisher of this Document is NTCJ.

If you would find description "Panasonic" or "Panasonic semiconductor solutions", please replace it with NTCJ.

※ Except below description page

"Request for your special attention and precautions in using the technical information and semiconductors described in this book"

Nuvoton Technology Corporation Japan

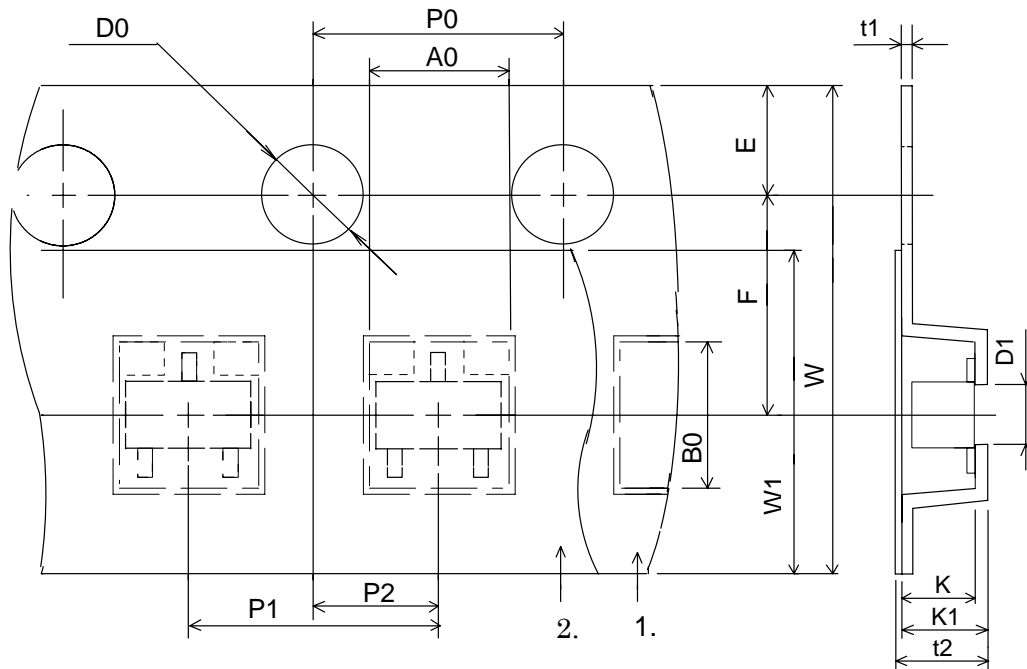
Reference	Tape and reel information	SMini3-F2-B	
		Total pages	page
		2	1

1. Taping quantity

The standard quantity shall be 3 000 pcs / reel.

2. Taping form and dimensions

Unit:mm



1. Carrier tape

2. Cover tape

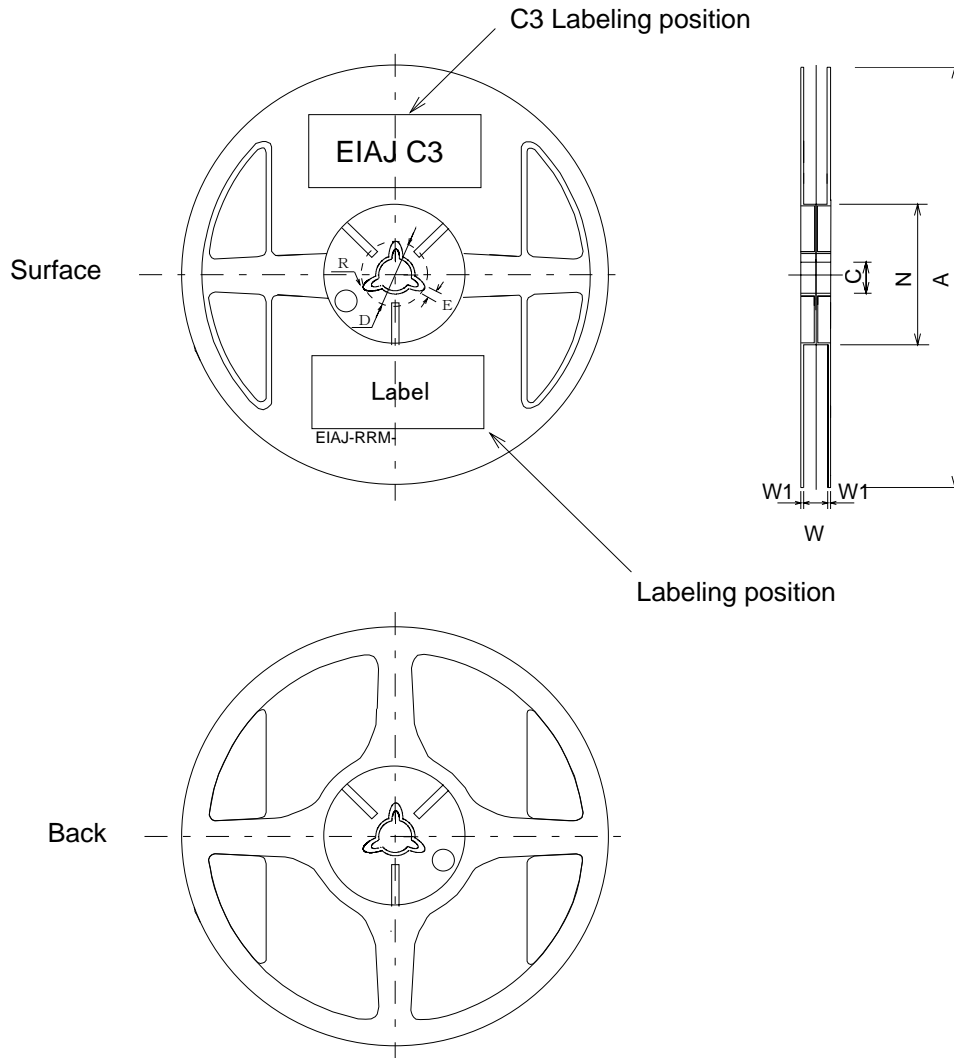
Item	Symbol	Dimensions	Remarks	
Dented square hole for product insertion	Length	A0	2.2±0.2	
	Width	B0	2.6±0.2	
	Depth	K	1.1±0.2	
	Pitch	P1	4.0±0.1	Accumulated error ±0.2max/10 pitches
Sprocket hole	Diameter	D0	1.5+0.1/-0.0	
	Pitch	P0	4.0±0.1	Accumulated error ±0.2max/10 pitches
	Position	E	1.75±0.10	
Emboss hole	Diameter	D1	1.0+0.3/-0	
Center-to-center distance	Longitudinal	P2	2.00±0.05	
	Traverse	F	3.50±0.05	
Cover tape	Width	W1	5.4±0.1	
	Material	Polyester Antistatic		
Carrier tape	Width	W	8.0±0.3	
	Thickness	t1	0.2±0.1	
	Material	PS or A-PET Antistatic		
Hole outer depth	K1	1.35±0.20		
Total thickness	t2	1.45±0.20		

Note : 1) Radius at each corner shall be 0.25R or less.

Reference	Tape and reel information	SMini3-F2-B	
		Total pages	page
		2	2

3. Reel and dimensions

Unit:mm



Item		Symbol	Dimensions	Remarks	
Flange	Diameter	A	180+0.0/-3.0		
	Thickness	W1	1.2		
	Distance between flanges	W	9.0±0.3		
Hub	Outer diameter	N	60.0+1.0/-0.0		
	Spindle hole diameter	C	13.0±0.2		
	Keyway	Width	E	2.0±0.5	
		Depth	D	21.0±0.8	
	Radius at corner	R	1.0		
Material		Polystyrene		Antistatic	
Indication of the type		Mark on one side of flange			
		Indicate type name, quantity and serial No. etc.			

Request for your special attention and precautions in using the technical information and semiconductors described in this book

- (1) If any of the products or technical information described in this book is to be exported or provided to non-residents, the laws and regulations of the exporting country, especially, those with regard to security export control, must be observed.
- (2) The technical information described in this book is intended only to show the main characteristics and application circuit examples of the products. No license is granted in and to any intellectual property right or other right owned by Panasonic Corporation, Nuvoton Technology Corporation Japan or any other company. Therefore, no responsibility is assumed by our company as to the infringement upon any such right owned by any other company which may arise as a result of the use of technical information de-scribed in this book.
- (3) The products described in this book are intended to be used for general applications (such as office equipment, communications equipment, measuring instruments and household appliances), or for specific applications as expressly stated in this book.
Please consult with our sales staff in advance for information on the following applications, moreover please exchange documents separately on terms of use etc.: Special applications (such as for in-vehicle equipment, airplanes, aerospace, automotive equipment, traffic signaling equipment, combustion equipment, medical equipment and safety devices) in which exceptional quality and reliability are required, or if the failure or malfunction of the products may directly jeopardize life or harm the human body.
Unless exchanging documents on terms of use etc. in advance, it is to be understood that our company shall not be held responsible for any damage incurred as a result of or in connection with your using the products described in this book for any special application.
- (4) The products and product specifications described in this book are subject to change without notice for modification and/or improvement. At the final stage of your design, purchasing, or use of the products, therefore, ask for the most up-to-date Product Standards in advance to make sure that the latest specifications satisfy your requirements.
- (5) When designing your equipment, comply with the range of absolute maximum rating and the guaranteed operating conditions (operating power supply voltage and operating environment etc.). Especially, please be careful not to exceed the range of absolute maximum rating on the transient state, such as power-on, power-off and mode-switching. Otherwise, we will not be liable for any defect which may arise later in your equipment.
Even when the products are used within the guaranteed values, take into the consideration of incidence of break down and failure mode, possible to occur to semiconductor products. Measures on the systems such as redundant design, arresting the spread of fire or preventing glitch are recommended in order to prevent physical injury, fire, social damages, for example, by using the products.
- (6) Comply with the instructions for use in order to prevent breakdown and characteristics change due to external factors (ESD, EOS, thermal stress and mechanical stress) at the time of handling, mounting or at customer's process. We do not guarantee quality for disassembled products or the product re-mounted after removing from the mounting board.
When using products for which damp-proof packing is required, satisfy the conditions, such as shelf life and the elapsed time since first opening the packages.
- (7) When reselling products described in this book to other companies without our permission and receiving any claim of request from the resale destination, please understand that customers will bear the burden.
- (8) This book may be not reprinted or reproduced whether wholly or partially, without the prior written permission of our company.