

MIP504

Silicon MOS IC

■ Features

- 3-pin intelligent power device
- Five protective functions (over-current, over-voltage, short circuit load, over heat, ESD) are integrated
- Acceptable both AC and DC power supply

■ Applications

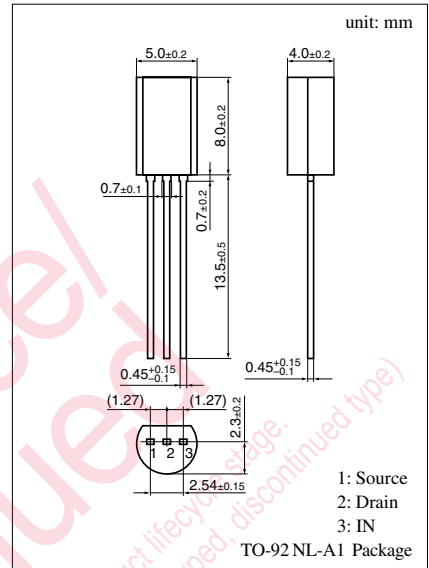
- Lamp drive

■ Absolute Maximum Ratings (Ta = 25°C)

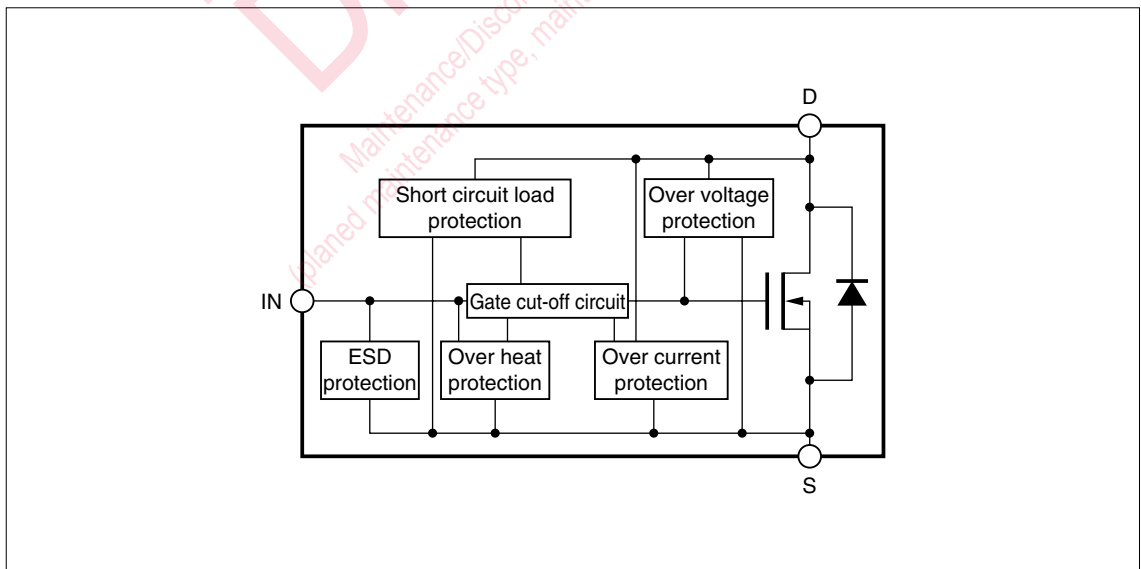
Parameter	Symbol	Rated	Unit
Drain to Source voltage	V_{DS}	60	V
Output peak current	I_{OP}	± 5	A
Output current	I_O	-1 to 2 ^{*1}	A
Input voltage	V_{IN}	-0.5 to 6	V
Input current	I_{IN}	± 10	mA
Allowable power dissipation	P_D	1 ^{*2}	W
Operating ambient temperature	T_{opr}	-40 to +85	°C
Channel temperature	T_{ch}	150	°C
Storage temperature	T_{stg}	-55 to +150	°C

*1 Maximum load current, not the average current.

*2 Mounting on the PCB (Glass epoxy board, the size of 100mm × 100mm). (Ta = 25°C)



■ Block Diagram



■ Electrical Characteristics ($T_C = 25 \pm 2^\circ\text{C}$)

Parameter	Symbol	Conditions	min	typ	max	Unit
Drain to Source ON-resistance	$R_{DS(on)}$	$V_{IN} = 5V, I_{DS} = 1.5A$		0.38	0.5	Ω
Drain to Source ON-voltage	$V_{DS(on)}$	$V_{IN} = 5V, I_{DS} = 1.5A$		0.57	0.75	V
Drain clamp voltage	$V_{DS(CLIP)}$	$V_{IN} = 0, I_{DS} = 3mA$	60	70		V
Drain OFF current (1)	$I_{DS(off)1}$	$V_{IN} = 0, V_{DS} = 12V$		50	80	μA
Drain OFF current (2)	$I_{DS(off)2}$	$V_{IN} = 0, V_{DS} = 25V$		0.1	0.16	mA
Drain OFF current (3)	$I_{DS(off)3}$	$V_{IN} = 0, V_{DS} = 40V$		0.16	0.26	mA
Input voltage (High)	$V_{IN(H)}$	$I_{DS} = 1.5A$	4			V
Input voltage (Low)	$V_{IN(L)}$	$I_{DS} = 0.1mA$			0.8	V
Input current	$I_{IN(on)}$	$V_{IN} = 5V, V_{DS} = 0$		0.15	0.5	mA
Over current protection limit	I_{OCP}	$V_{IN} = 5V, V_{DS} = 3V$	3.8	5		A
Short circuit load protection limit	$V_{DS(SHT)}$	$V_{IN} = 5V$	3			V

Note: The oscillation of the output current is caused when the drain voltage exceeds the short circuit load detection voltage under the ON state of output.

■ Electrical Characteristics ($T_C = 25 \pm 2^\circ\text{C}$)

Parameter	Symbol	Conditions	min	typ	max	Unit
Over heat protection temperature	T_{SHD}	$V_{IN} = 5V$		140		$^\circ\text{C}$

Note 1: The above values of characteristics are not guaranteed values and are only references for designing.

Note 2: If the chip temperature exceeds the "Over Heat Protection Temperature", output current is shut down.

Request for your special attention and precautions in using the technical information and semiconductors described in this book

- (1) If any of the products or technical information described in this book is to be exported or provided to non-residents, the laws and regulations of the exporting country, especially, those with regard to security export control, must be observed.
- (2) The technical information described in this book is intended only to show the main characteristics and application circuit examples of the products. No license is granted in and to any intellectual property right or other right owned by Panasonic Corporation or any other company. Therefore, no responsibility is assumed by our company as to the infringement upon any such right owned by any other company which may arise as a result of the use of technical information described in this book.
- (3) The products described in this book are intended to be used for standard applications or general electronic equipment (such as office equipment, communications equipment, measuring instruments and household appliances).
Consult our sales staff in advance for information on the following applications:
 - Special applications (such as for airplanes, aerospace, automobiles, traffic control equipment, combustion equipment, life support systems and safety devices) in which exceptional quality and reliability are required, or if the failure or malfunction of the products may directly jeopardize life or harm the human body.
 - Any applications other than the standard applications intended.
- (4) The products and product specifications described in this book are subject to change without notice for modification and/or improvement. At the final stage of your design, purchasing, or use of the products, therefore, ask for the most up-to-date Product Standards in advance to make sure that the latest specifications satisfy your requirements.
- (5) When designing your equipment, comply with the range of absolute maximum rating and the guaranteed operating conditions (operating power supply voltage and operating environment etc.). Especially, please be careful not to exceed the range of absolute maximum rating on the transient state, such as power-on, power-off and mode-switching. Otherwise, we will not be liable for any defect which may arise later in your equipment.
 - Even when the products are used within the guaranteed values, take into the consideration of incidence of break down and failure mode, possible to occur to semiconductor products. Measures on the systems such as redundant design, arresting the spread of fire or preventing glitch are recommended in order to prevent physical injury, fire, social damages, for example, by using the products.
- (6) Comply with the instructions for use in order to prevent breakdown and characteristics change due to external factors (ESD, EOS, thermal stress and mechanical stress) at the time of handling, mounting or at customer's process. When using products for which damp-proof packing is required, satisfy the conditions, such as shelf life and the elapsed time since first opening the packages.
- (7) This book may be not reprinted or reproduced whether wholly or partially, without the prior written permission of our company.

Precautions on the Sales of IPDs

- 1) The sale and/or the export of IPD products to any customer or customers located in any country other than Japan is expressly prohibited by the Agreement made and executed by and between Power Integrations, Inc. and Panasonic Corporation.
 - 2) IPD products purchased from our company, or its authorized agents, hereinafter referred to as our company, shall be used only for production purposes by those parties who have duly purchased IPD products. Those who have purchased IPD products shall not use such IPD products in unmodified form for re-sale, loan, or sample shipment for evaluation purposes to any other parties.
 - 3) If a party who has duly purchased IPD products subcontracts its production to any other parties, including its subsidiaries or any other third parties inside and/or out of Japan, and the IPD products are consigned to such subcontracting parties thereat, such party is obligated to monitor and control the quantity of IPD products to prevent any of the aforementioned re-sale, loan or sample shipments from taking place.
 - 4) In the event that any actual or threatened breach or violation of any of the above mentioned 1, 2, or 3, has occurred or is about to occur, our company will hold all shipments of IPD products and may request the party alleged to be responsible for such occurrence for necessary.
- Note) The products of MIP50□, MIP51□, and MIP7□□ are excluded from above-mentioned precautions, 1) to 3).

Attached table "IPD availability by customer"

Parts No.			Companies/areas to which products can be sold	Companies/areas to which products cannot be sold	Application
MIP13□ MIP14□ MIP15□ MIP16□	MIP17□ MIP18□ MIP01□□ MIP02□□	MIP2□□□ MIP3□□□ MIP4□□□ MIP9A□□	· Japanese companies in Japan · Japanese companies in Asia (50% or more owned)	· Companies in European and American countries · Asian companies in Asia · Other local companies	· For power supply · For DC-DC converter
MIP10□ MIP11□ MIP803/804/806 MIP9E□□	MIP811/812 MIP814/815/816 MIP82□ MIP55□		· Japanese companies in Japan · Japanese companies in Asia (50% or more owned) · Asian companies in Asia	· Companies in European and American countries · Other local companies	· For power supply · For EL driver · For LED lighting driver
MIP50□ MIP51□	MIP7□□		· No restrictions in terms of contract	· No restrictions in terms of contract	· For lamp driver/ car electronics accessories

Note) If you have any inquiries about sales, contact Corporate Marketing & Sales Division of our company.