

Notification about the transfer of the semiconductor business

The semiconductor business of Panasonic Corporation was transferred on September 1, 2020 to Nuvoton Technology Corporation (hereinafter referred to as "Nuvoton"). Accordingly, Panasonic Semiconductor Solutions Co., Ltd. became under the umbrella of the Nuvoton Group, with the new name of Nuvoton Technology Corporation Japan (hereinafter referred to as "NTCJ").

In accordance with this transfer, semiconductor products will be handled as NTCJ-made products after September 1, 2020. However, such products will be continuously sold through Panasonic Corporation.

Publisher of this Document is NTCJ.

If you would find description "Panasonic" or "Panasonic semiconductor solutions", please replace it with NTCJ.

※ Except below description page

"Request for your special attention and precautions in using the technical information and semiconductors described in this book"

Nuvoton Technology Corporation Japan

Type	Silicon MOSFET type Integrated Circuit		
Application	For Switching Power Supply Control		
Structure	CMOS type		
Equivalent Circuit	Figure. 7		
Out Line	DIP7-A1-B	Marking	MIP2L3

A. ABSOLUTE MAXIMUM RATINGS (Ta=25°C±3°C)

NO.	Item	Symbol	Ratings	Unit	Note
1	DRAIN Voltage	VD	-0.3 ~ 700	V	※1: It is guaranteed within the pulse as below.
2	CONTROL Voltage	VC	-0.3 ~ 8	V	
3	Output Peak Current	IDP	1.9※1	A	Leading Edge Blanking Pulse + Current Limit Delay ton(BLK)+td(OCL)
4	Recommended Operating Temperature	Tj	-30 ~ +125	°C	
5	Channel Temperature	Tch	-30 ~ +150	°C	
6	Storage Temperature	Tstg	-55 ~ +150	°C	

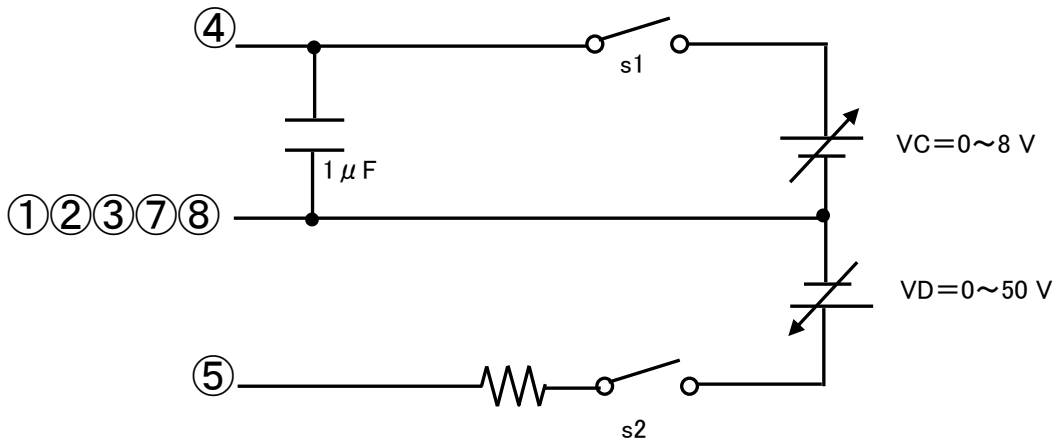
B. ELECTRICAL CHARACTERISTICS

Measure condition (TC=25°C±3°C)

No.	Item	Symbol	Measure Condition (Figure 1)	Typ.	Min	Max	Unit
[CONTROL FUNCTIONS/ * Design Guarantee Item]							
1	Output Frequency	fosc	VC=VCCNT)-0.2V, VD=5 V	100	92	108	kHz
2	Jitter Frequency Deviation	Δf	VC=VC(CNT)-0.2V, VD=5 V	5.5			kHz
*3	Jitter Frequency Modulation Rate	fM	VC=VC(CNT)-0.2V, VD=5 V	270			Hz
4	Maximum Duty Cycle	MAXDC	VC=VC(CNT)-0.2V, VD=5 V	53	50	56	%
*5	PWM Gain	GPWM	VC=VC(CNT)	12.5			dB
6	Before Auto-restart Current	IC(SB)1	VC<VC(ON),VD=5 V	0.5	0.2	0.8	mA
7	After Off-state Current	IC(SB)2	VC>VC(CNT),VD=5 V	0.5	0.2	0.8	mA
8	Operating Current	IC(OP)	VC=VC(CNT) -0.2V,VD=5 V	0.6	0.2	1.0	mA
9	Auto-restart Threshold Voltage	VC(ON)	VD=5 V	6.25	5.75	6.75	V
10	UV Lockout Threshold Voltage	VC(OFF)	VD=5 V	4.8	4.35	5.25	V
11	Auto-restart maintain Voltage	VC_m	S1=OPEN	5.45	4.95	5.95	V
12	Auto-restart maintain Time	Tm	S1=OPEN	45			ms
13	Auto-restart hysteresis Voltage	ΔVC	VC(ON)-VC(OFF)	1.45	1.05	1.85	V
14	Control Clamp Voltage	VC(CLP)	IC=3mA	6.8	6.2	7.4	V
15	Auto-restart duty cycle	TSW/TTIM	※Figure 5 S1=OPEN	12			%
16	Auto-restart frequency	fTIM	※Figure 5 S1=OPEN	2.6			Hz
17	Control Pin Charging Current	IC(CHG)1	VC=0V,VD=50 V	-8.3	-13.1	-5.6	mA
		IC(CHG)2	VC=5V,VD=50 V	-5	-9.8	-2.1	mA
18	Control Pin Voltage	VC(CNT)	VD=5 V	5.9	5.3	6.5	V
*19	Control Pin Voltage hysteresis	$\Delta VC(CNT)$	VD=5 V	10			mV

No.	Item	Symbol	Measure Condition (Figure 1)	Typ.	Min	Max	Unit
【CIRCUIT PROTECTIONS: / * Design Guarantee Item】							
20	Self Protection Current Limit	ILIMIT	※Figure 2/Figure 3 DUTY=30%	0.8	0.73	0.87	A
21	ILIMIT modified coefficient	R_slope	※Figure 2/Figure 3 VC=VC(CNT)-0.2 V	30			mA/μS
*22	Leading Edge Blanking Delay	ton(BLK)		300	240	360	Ns
*23	Current Limit Delay	td(OCL)		210	140	280	ns
*24	Thermal Shutdown Temperature	TOTP		140	130	150	°C
*25	Thermal Shutdown Temperature Hysteresis	ΔTOTP		70			°C
【OUTPUT / * Design Guarantee Item】							
*26	Power-up Reset Threshold Voltage	VCreset		2.6	1.8	3.5	V
27	ON-State Resistance	RDS(ON)	ID=0.2 A	8		10	Ω
28	OFF-State Current	IDSS	VD=650V, VC=6.5 V	10		20	μA
29	Breakdown Voltage	VDSS	ID=100 μA, VC=6.5 V		700		V
30	Rise Time	tr	※Figure4 VC=VC(CNT)-0.2V, VD=5 V	140			ns
31	Fall Time	tf	※Figure4 VC=VC(CNT)-0.2V, VD=5 V	30			ns
【SUPPLY】							
32	Drain Supply Voltage	VD(MIN)	S1=OPEN		36		V

【Figure. 1: Measure Circuit】

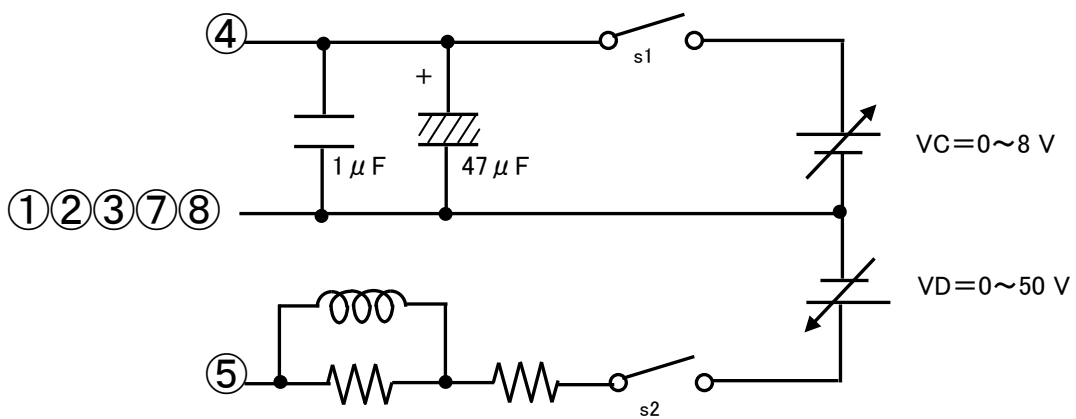


* This measurement circuit can't be useful for ILIMIT measurement

Terminal explanation

- ④ : CONTROL
- ①②③⑦⑧ : SOURCE
- ⑤ : DRAIN

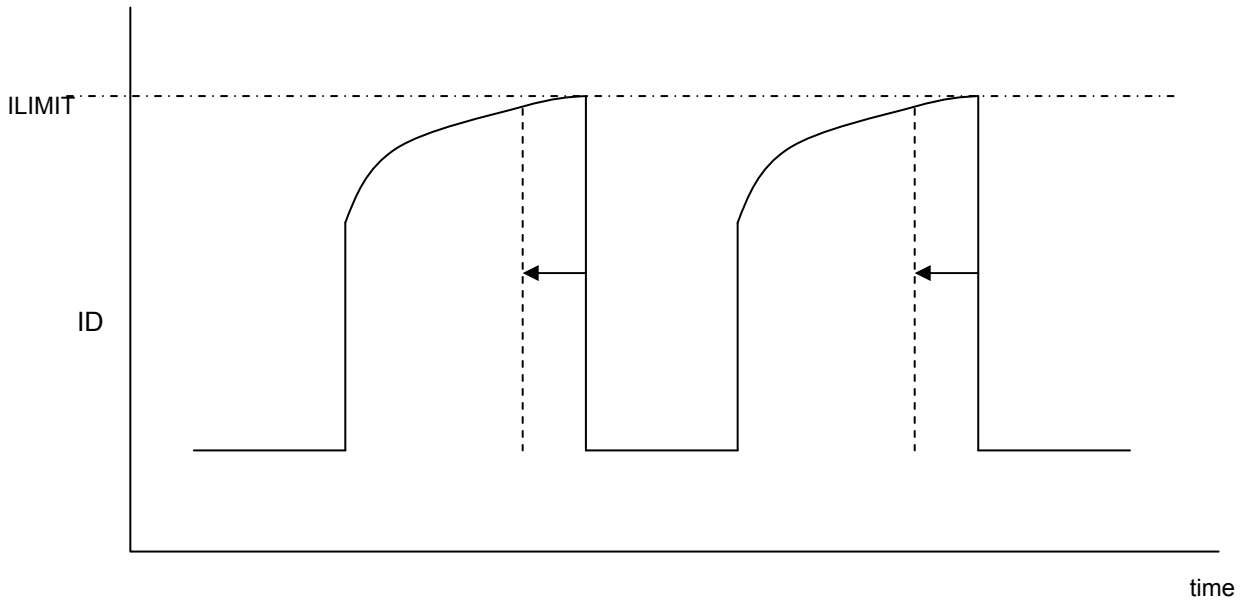
【Figure. 2: Measure Circuit】



Terminal explanation

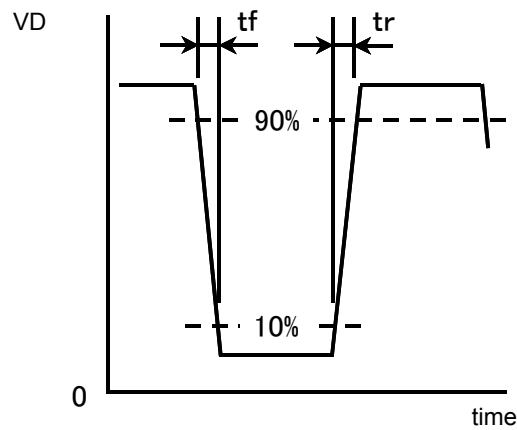
- ④ : CONTROL
- ①②③⑦⑧ : SOURCE
- ⑤ : DRAIN

【Figure. 3: ILIMIT Measurement】

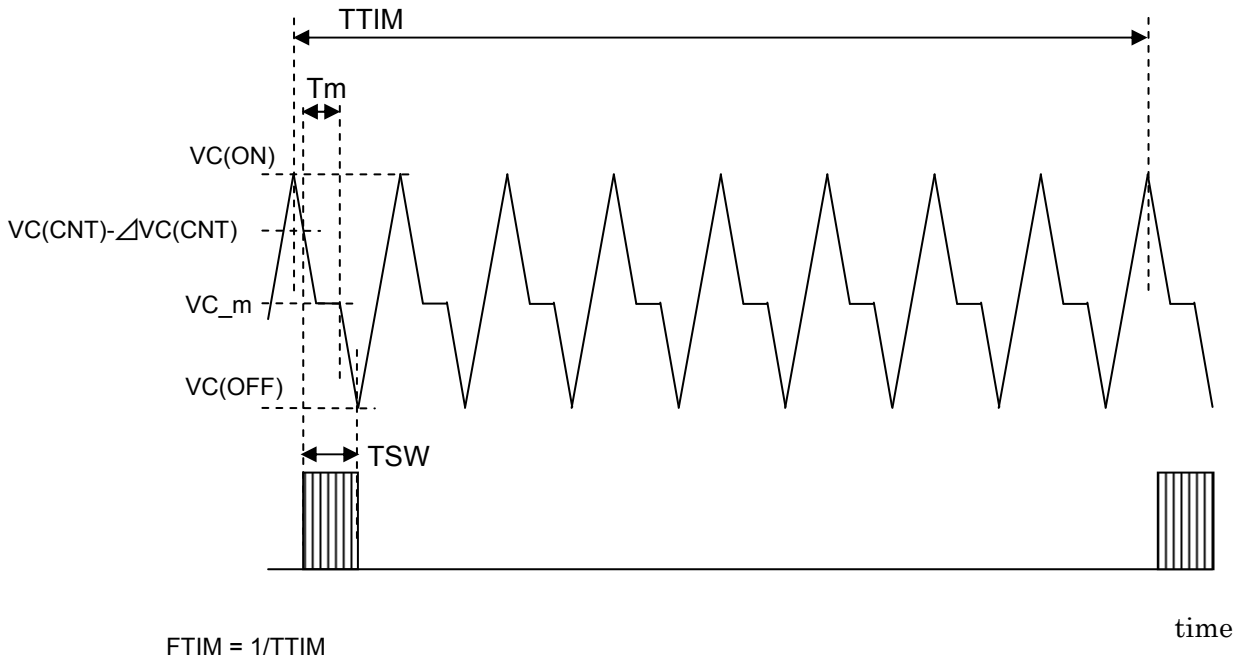


$$R_slope = \{(ILIMIT \text{ at Duty}=30\%) - (ILIMIT \text{ at Duty}=20\%) \} / \{(Ton \text{ at Duty}=30\%) - (Ton \text{ at Duty}=20\%) \}$$

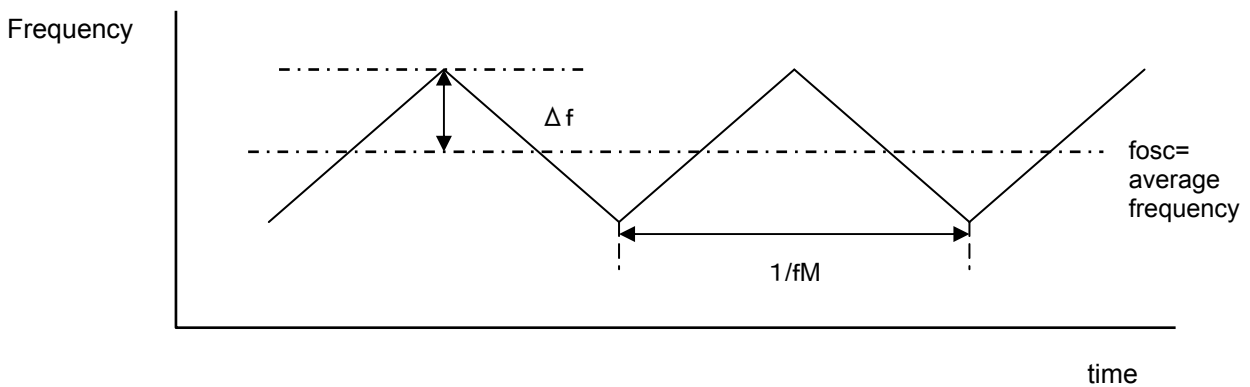
【Figure. 4 : tr, tf Measurement】



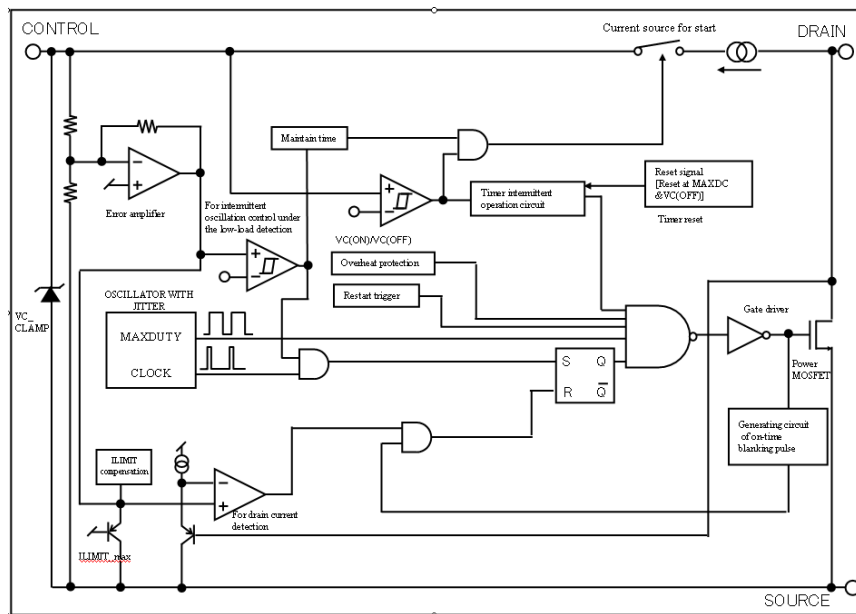
【Figure. 5 : VC_m, Tm, TTSW, TTIM, FTIM Measurement】



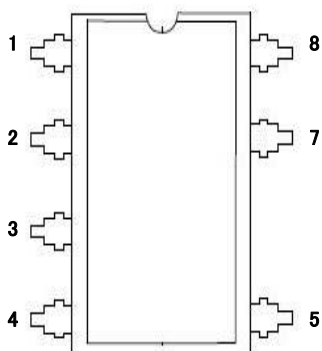
【Figure. 6 : Δf, fM Measurement】



【Figure. 7: Block Diagram】



【Figure. 8: Pin Layout】



Pin No.	Terminal Name
1	SOURCE
2	SOURCE
3	SOURCE
4	CONTROL
5	DRAIN
6	-
7	SOURCE
8	SOURCE

【Precautions for Use 1】

Connect a Ceramic Capacitor (over 0.1 μ F) between CONTROL and SOURCE.

【Precautions for Use 2】

The IPD has risks for break-down or burst or giving off smoke in following conditions. Avoid the following use.
Fuse should be added at the input side or connect zener diode between control pin and GND, etc as a countermeasure to pass regulatory Safety Standard. Concrete countermeasure could be provided individually. However, customer should make the final judgment.

- (1) Reverse the DRAIN pin and SOURCE pin connection to the power supply board.
- (2) DRAIN pin short to CONTROL pin.
- (3) DRAIN pin short to SOURCE pin.

Request for your special attention and precautions in using the technical information and semiconductors described in this book

- (1) If any of the products or technical information described in this book is to be exported or provided to non-residents, the laws and regulations of the exporting country, especially, those with regard to security export control, must be observed.
- (2) The technical information described in this book is intended only to show the main characteristics and application circuit examples of the products. No license is granted in and to any intellectual property right or other right owned by Panasonic Corporation, Nuvoton Technology Corporation Japan or any other company. Therefore, no responsibility is assumed by our company as to the infringement upon any such right owned by any other company which may arise as a result of the use of technical information de-scribed in this book.
- (3) The products described in this book are intended to be used for general applications (such as office equipment, communications equipment, measuring instruments and household appliances), or for specific applications as expressly stated in this book.
Please consult with our sales staff in advance for information on the following applications, moreover please exchange documents separately on terms of use etc.: Special applications (such as for in-vehicle equipment, airplanes, aerospace, automotive equipment, traffic signaling equipment, combustion equipment, medical equipment and safety devices) in which exceptional quality and reliability are required, or if the failure or malfunction of the products may directly jeopardize life or harm the human body.
Unless exchanging documents on terms of use etc. in advance, it is to be understood that our company shall not be held responsible for any damage incurred as a result of or in connection with your using the products described in this book for any special application.
- (4) The products and product specifications described in this book are subject to change without notice for modification and/or improvement. At the final stage of your design, purchasing, or use of the products, therefore, ask for the most up-to-date Product Standards in advance to make sure that the latest specifications satisfy your requirements.
- (5) When designing your equipment, comply with the range of absolute maximum rating and the guaranteed operating conditions (operating power supply voltage and operating environment etc.). Especially, please be careful not to exceed the range of absolute maximum rating on the transient state, such as power-on, power-off and mode-switching. Otherwise, we will not be liable for any defect which may arise later in your equipment.
Even when the products are used within the guaranteed values, take into the consideration of incidence of break down and failure mode, possible to occur to semiconductor products. Measures on the systems such as redundant design, arresting the spread of fire or preventing glitch are recommended in order to prevent physical injury, fire, social damages, for example, by using the products.
- (6) Comply with the instructions for use in order to prevent breakdown and characteristics change due to external factors (ESD, EOS, thermal stress and mechanical stress) at the time of handling, mounting or at customer's process. We do not guarantee quality for disassembled products or the product re-mounted after removing from the mounting board.
When using products for which damp-proof packing is required, satisfy the conditions, such as shelf life and the elapsed time since first opening the packages.
- (7) When reselling products described in this book to other companies without our permission and receiving any claim of request from the resale destination, please understand that customers will bear the burden.
- (8) This book may be not reprinted or reproduced whether wholly or partially, without the prior written permission of our company.