

March 22, 2018

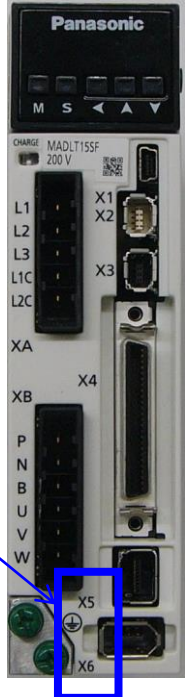
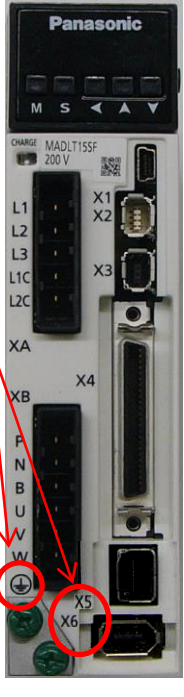
Motor Business Unit,
Electromechanical Control Business Division,
Automotive & Industrial Systems Company,
Panasonic Corporation

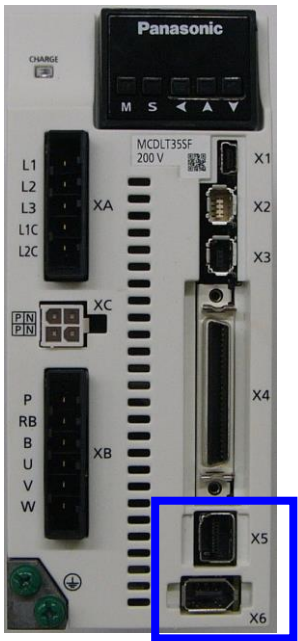
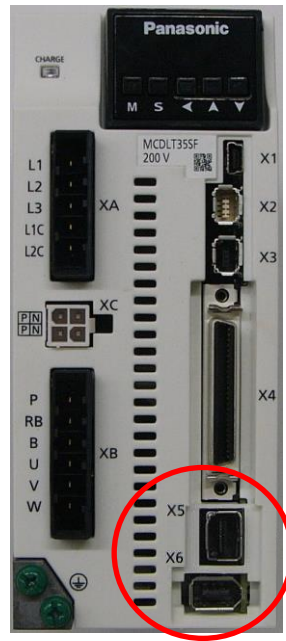
MINAS A6 Family AC Servo Driver
Notice of Changes in Front Panel Shape and Connector Indications

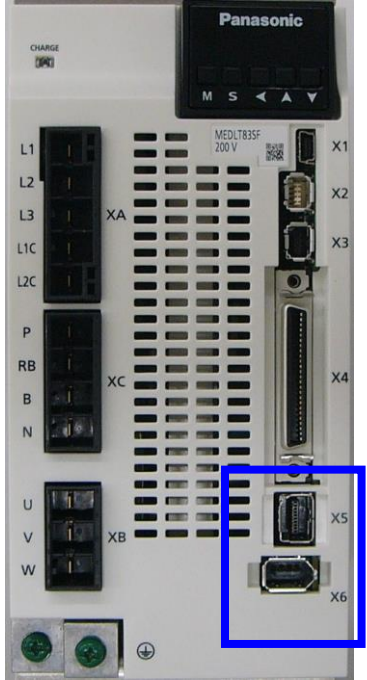
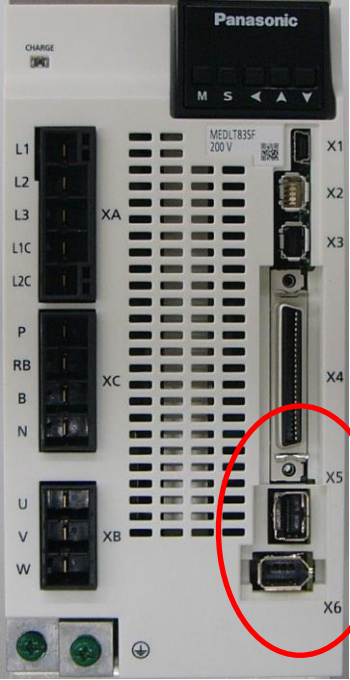
Thank you for your daily support and efforts to our business
The front panel shape and indication of the MINAS A6 family servo driver will be changed as shown below.
We would appreciate your understanding and cooperation with this matter.

- Affected models: All models of the MINAS A6 Family servo drivers
- Affected part numbers: M △ D └ * * * * * * * *
 - | |
 - | └-> Drivers designation with the 4th character being "L"
 - └-> The 2nd symbol indicating the driver outer frame symbol designates one of the 3 schemes for indications and panel shape (resin-molded shape).
 - Scheme 1: 2nd character is "A"
 - Scheme 2: 2nd character is "B," "C," or "D"
 - Scheme 3: 2nd character is "E" or "F"
- Reason for the change: Standardization during tooling replacement
- Schedule of the change: From May 2018 production onwards.
- Description of the Change :
 - (1) At the connector indication "X5" and "X6" on the front panel, the shape of the recessed opening from the panel surface will be larger.
 - (2) The connector indications (font and size) "X5" and "X6" are the same but their positions will be different.
 - (3) "A" frames (2nd character symbol "A") will have a different placement of the grounding mark.
 - (4) Regardless of the changes in shape and marking, the servo driver's characteristics, performance, and dimensions, as described in the exterior shape drawing, will remain exactly the same. There will also be no changes to the resin material or color.
 - Catalogs and operating instructions will be updated accordingly.

■ The photos shown below show the A6SF series, but the same changes also apply to the A6NF and A6NE network driver series.

Scheme 1	"A" frame: 2nd character of part number is "A" as in MADL*****	
Previous version		New version
 <p>Grounding mark and X5, X6 indications</p> <p>X5 connector</p> <p>X6 connector</p>		 <p>Encircled in red: Position changed</p> <p>X5 connector</p> <p>X6 connector</p> <p>Grounding mark and X5, X6 indications</p>

Scheme 2	"B," "C," and "D" frames: The photos show a "C" frame with the 2nd character of part number "C," as in MCDL*****	
Previous version		New version
 <p>The X5 and X6 indications used to be on the right of their respective connectors</p>		 <p>The change in panel shape around the connectors is the same as in Scheme 1.</p> <p>The X5 and X6 indications are now on the upper left of their respective connectors</p>

Scheme 3	“E” and “F” frames: The photos show the “E” frame with the 2nd character of part number “E” as in MEDL*****	
Previous version		New version
 <p data-bbox="603 678 778 996">The X5 and X6 indications used to be on the right of their respective connectors</p>		 <p data-bbox="1265 450 1425 616">The change in panel shape around the connectors is the same as in Scheme 1.</p> <p data-bbox="1265 763 1449 1115">The X5 and X6 indications are now on the upper and lower right of their respective connectors</p>

end