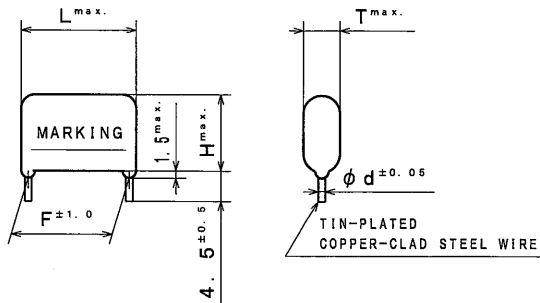


THIRD ANGLE PROJECTION

ITEM CODE	CAP. μF (*)	DIMENSIONS					VOLUME (mm ³)
		L	T	H	F	d	
ECWH8103HAC	0.010 (103)	15.4	5.4	9.8	12.5	0.6	676
" 8123HAC	0.012 (123)	"	5.8	10.2	"	"	740
" 8153HAC	0.015 (153)	"	6.2	10.6	"	"	819
" 8183HAC	0.018 (183)	15.7	6.6	11.0	"	0.8	933
" 8223HAC	0.022 (223)	"	7.1	11.5	"	"	1044
" 8273HAC	0.027 (273)	"	7.6	12.0	"	"	1161
" 8333HAC	0.033 (333)	"	8.4	12.8	"	"	1346
" 8393HAC	0.039 (393)	"	8.9	13.3	"	"	1491
" 8473HAC	0.047 (473)	"	9.7	14.1	"	"	1715

ALTERATION		
ISSUE	DESCRIPTION	DATE
△	Company name changed	Apr. 1 2012
△	Company name changed	Apr. 1 2013
△	Company name changed	Apr. 1 2015
SPECIFICATIONS No.		



*F: regulation of the root

CONSTRUCTION

The capacitor is of non-inductive construction, wound with metallized polypropylene film dielectric.
The capacitor is enclosed in non-combustible epoxy resin and has two leads.

MARKING

Marking comprises capacitance, capacitance tolerance, rated voltage, type name "WHA" and manufacturer's date code.

PROPERTIES

- *Capacitance : See table at 1kHz.
- *Capacitance tolerance : ±3% (H) at 1kHz.
- *Rated voltage : 800VDC
- *Withstand voltage (terminal-terminal) : 800VDC×150% for 60s
- *Insulation resistance : ≥30000MΩ at 500VDC, 20°C for 60s
- *Dissipation factor : ≤0.1% at 1kHz, 20°C
- *Category temperature range : From -40°C to +105°C (including temperature rise on unit surface)

MARKING EXAMPLE

WHA103H
800V
[]
↑
date code

Reference

DESIGN	<i>A. Inoue</i>
CHECKED	<i>M. Yamamoto</i>
APPROVAL	<i>Y. Takata</i>
ESTABLISHMENT	Sep. 27. 2010
TYPE NAME	ECWH8***HAC
NAME	Metallized Polypropylene Film Capacitor
DRAWING NAME	PRODUCT DRAWING
DRAWING No.	0056J-J-E (1/1)

Toyama-Matsue Plant
Device Solutions Business Division
Panasonic Corporation