

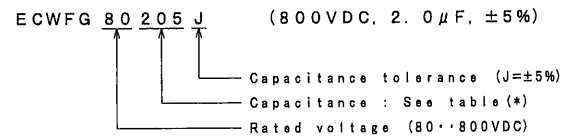
THIRD ANGLE PROJECTION

ITEM CODE	CAPACITANCE μF (*)	DIMENSIONS								VOLUME (mm ³)	Note
		L	T	H	F	d	P	Q			
ECWFG80205J	2.0 (205)	31.5	10.5	21.0	27.5	0.8	0±1.0	2.0	6946	*	
" 80225J	2.2 (225)	"	"	"	"	"	"	"	"	*	
" 80275J	2.7 (275)	"	12.0	24.5	"	"	"	"	9261	*	
" 80305J	3.0 (305)	"	"	"	"	"	"	"	"	*	
" 80335J	3.3 (335)	"	"	"	"	"	"	"	"	*	
" 80355J	3.5 (355)	"	13.5	28.5	"	"	"	"	12120	*	
" 80395J	3.9 (395)	"	"	"	"	"	"	"	"	*	
" 80405J	4.0 (405)	"	"	"	"	"	"	"	"	*	
" 80475J	4.7 (475)	"	"	"	"	"	"	"	"	*	
" 80505J	5.0 (505)	"	16.0	29.5	"	"	"	"	14868	*	
" 80565J	5.6 (565)	"	"	"	"	"	"	"	"	*	
" 80605J	6.0 (605)	"	"	"	"	"	"	"	"	*	
" 80685J	6.8 (685)	"	17.5	32.5	"	"	"	"	17916	*	
" 80705J	7.0 (705)	"	"	"	"	"	"	"	"	*	
" 80755J	7.5 (755)	"	"	"	"	"	"	"	"	*	
" 80805J	8.0 (805)	"	"	"	"	"	"	"	"	*	

Note

*The specimen (the volume is more than 1750mm³) shall be satisfied with IEC60384-1 Inflammability Category B based on IEC60065, 1998~

ITEM CODE NUMBER STRUCTURE



CONSTRUCTION

The capacitor is of non-inductive construction, wound with metallized polypropylene film dielectric. The capacitor is enclosed in non-combustible polybutylene telephthalate case, filled with non-combustible epoxy resin and has two leads.

MARKING

Marking comprises capacitance, capacitance tolerance, rated voltage and date code.

PROPERTIES

- *Capacitance : See table at 1kHz.
- *Capacitance tolerance : ±5% (J) at 1kHz.
- *Rated voltage : 800VDC (Derating of rated voltage by 1.0%/°C at more than 85°C)
- *Withstand voltage (terminal-terminal) : 800VDC×150% for 60s
- *Insulation resistance : ≥3000MΩ·μF at 500VDC, 20°C for 60s
- *Dissipation factor : ≤0.1% at 1kHz, 20°C
- *Category temperature range : From -40°C to +110°C (including temperature rise on unit surface)

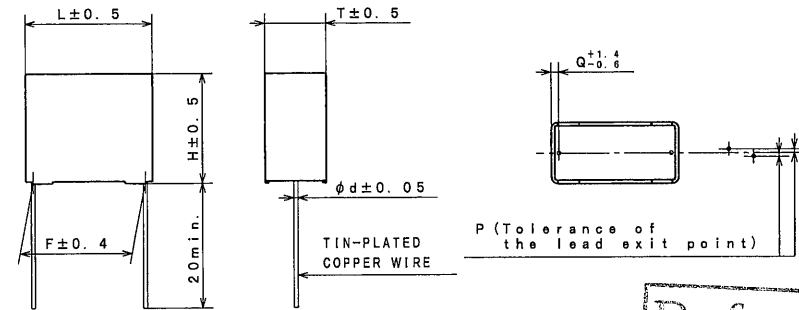
PACKING QUANTITY

Capacitance range (μF)	Quantity (pcs.)
2.0~ 2.2	300
2.7~ 3.3	200
3.5~ 8.0	150

QUANTITY of MINIMUM ORDER

Capacitance range (μF)	Quantity (pcs.)
2.0~ 2.2	300
2.7~ 3.3	200
3.5~ 8.0	150

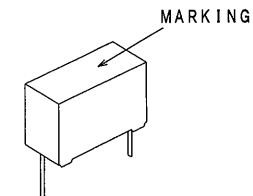
ALTERATION		
ISSUE	DESCRIPTION	DATE
SPECIFICATIONS No.		



*F: regulation of the root

MARKING EXAMPLE

WFG 205 J
800V
date code



DESIGN	<i>K. Sakai</i>
CHECKED	<i>K. Sakai</i>
APPROVAL	<i>K. Sakai</i>
ESTABLISHMENT	Nov. 7, 2019
TYPE NAME	ECWFG 80***J
NAME	Metallized Polypropylene Film Capacitor
DRAWING NAME	PRODUCT DRAWING
DRAWING No.	J019J-J-E (1/1)

Toyama-Matsue Plant
 Device Solutions Business Division
 Panasonic Corporation