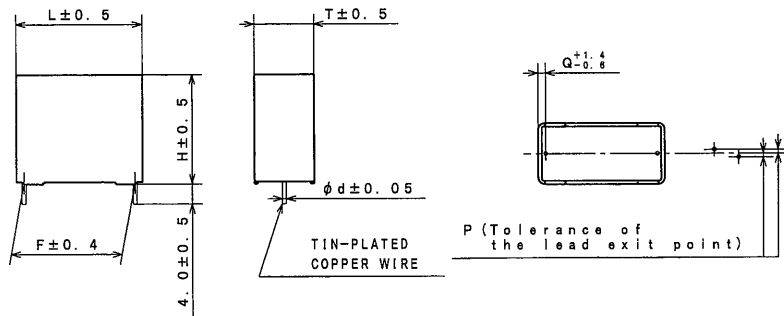


THIRD ANGLE PROJECTION

ITEM CODE	CAPACITANCE		DIMENSIONS							VOLUME (mm ³)	Note
	μF	(*)	L	T	H	F	d	P	Q		
ECWFG70105 () A	1.0	(105)	31.5	9.5	18.0	27.5	1.0	0±0.8	2.0	5387	*
" 70155 () A	1.5	(155)	"	10.5	21.0	"	"	"	"	6946	*
" 70205 () A	2.0	(205)	"	12.0	24.5	"	"	"	"	9261	*
" 70225 () A	2.2	(225)	"	"	"	"	"	"	"	9261	*
" 70305 () A	3.0	(305)	"	13.5	28.5	"	"	"	"	12120	*
" 70395 () A	3.9	(395)	"	17.5	32.5	"	"	"	"	17916	*
" 70475 () A	4.7	(475)	"	"	"	"	"	"	"	17916	*

Note

*The specimen (the volume is more than 1750mm³) shall be satisfied with IEC60384-1 Inflammability Category B based on IEC60065, 1998~



*F: regulation of the root

CONSTRUCTION

The capacitor is of non-inductive construction, wound with metallized polypropylene film dielectric. The capacitor is enclosed in non-combustible polybutylene terephthalate case, filled with non-combustible epoxy resin and has two leads.

MARKING

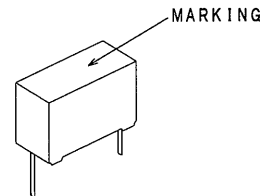
Marking comprises capacitance, capacitance tolerance, rated voltage and date code.

PROPERTIES

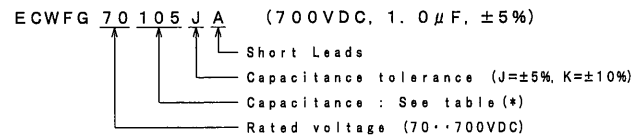
- *Capacitance : See table at 1kHz.
- *Capacitance tolerance : ±5% (J), ±10% (K) at 1kHz.
- *Rated voltage : 700VDC (Derating of rated voltage by 1.0%/°C at more than 85°C)
- *Withstand voltage (terminal-terminal) : 630VDC×150% for 60s
- *Insulation resistance : ≥3000MΩ·μF at 500VDC, 20°C for 60s
- *Dissipation factor : ≤0.1% at 1kHz, 20°C
- *Category temperature range : From -40°C to +110°C (including temperature rise on unit surface)

MARKING EXAMPLE

WFG105J
700V
↑
date code



ITEM CODE NUMBER STRUCTURE



PACKING QUANTITY

Capacitance range (μF)	Quantity (pcs.)
1.0	350
1.5	300
2.0~2.2	250
3.0	150
3.9~4.7	100

QUANTITY of MINIMUM ORDER

Capacitance range (μF)	Quantity (pcs.)
1.0	350
1.5	300
2.0~2.2	250
3.0	150
3.9~4.7	100

ALTERATION		
ISSUE	DESCRIPTION	DATE

SPECIFICATIONS No.

Reference

DESIGN	<i>K. Okaiki</i>
CHECKED	<i>K. Okaiki</i>
APPROVAL	<i>K. Fukumitsu</i>
ESTABLISHMENT	May. 24, 2019
TYPE NAME	
ECWFG 70*** () A	
NAME Metallized Polypropylene Film Capacitor	
DRAWING NAME	
PRODUCT DRAWING	
DRAWING No.	
J011J-J-E (1/1)	

Toyama-Matsue Plant
Device Solutions Business Division
Panasonic Corporation