

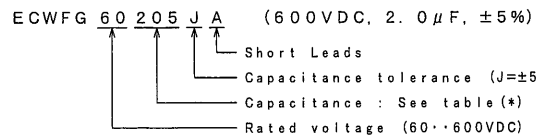
THIRD ANGLE PROJECTION

ITEM CODE	CAPACITANCE		DIMENSIONS							VOLUME (mm <sup>3</sup> )	Note
	μF	(*)	L	T	H	F	d	P	Q		
ECWFG60205JA	2.0	(205)	31.5	8.0	17.0	27.5	0.8	0±1.0	2.0	4284	*
" 60225JA	2.2	(225)	"	"	"	"	"	"	"	"	*
" 60275JA	2.7	(275)	"	9.5	18.0	"	"	"	"	5387	*
" 60305JA	3.0	(305)	"	"	"	"	"	"	"	"	*
" 60335JA	3.3	(335)	"	"	"	"	"	"	"	"	*
" 60355JA	3.5	(355)	"	"	"	"	"	"	"	"	*
" 60395JA	3.9	(395)	"	10.5	21.0	"	"	"	"	6946	*
" 60405JA	4.0	(405)	"	"	"	"	"	"	"	"	*
" 60475JA	4.7	(475)	"	12.0	24.5	"	"	"	"	9261	*
" 60505JA	5.0	(505)	"	"	"	"	"	"	"	"	*
" 60565JA	5.6	(565)	"	"	"	"	"	"	"	"	*
" 60605JA	6.0	(605)	"	"	"	"	"	"	"	"	*
" 60685JA	6.8	(685)	"	"	"	"	"	"	"	"	*
" 60705JA	7.0	(705)	"	13.5	28.5	"	"	"	"	12120	*
" 60755JA	7.5	(755)	"	"	"	"	"	"	"	"	*
" 60805JA	8.0	(805)	"	"	"	"	"	"	"	"	*
" 60825JA	8.2	(825)	"	"	"	"	"	"	"	"	*
" 60905JA	9.0	(905)	"	"	"	"	"	"	"	"	*
" 60106JA	10.0	(106)	"	"	"	"	"	"	"	"	*
" 60126JA	12.0	(126)	"	17.5	32.5	"	"	"	"	17916	*

Note

\*The specimen (the volume is more than 1750mm<sup>3</sup>) shall be satisfied with IEC60384-1 Inflammability Category B based on IEC60065, 1998~

ITEM CODE NUMBER STRUCTURE



CONSTRUCTION

The capacitor is of non-inductive construction, wound with metallized polypropylene film dielectric. The capacitor is enclosed in non-combustible polybutylene terephthalate case, filled with non-combustible epoxy resin and has two leads.

MARKING

Marking comprises capacitance, capacitance tolerance, rated voltage and date code.

PROPERTIES

- \*Capacitance : See table at 1kHz.
- \*Capacitance tolerance : ±5%(J) at 1kHz.
- \*Rated voltage : 600VDC (Derating of rated voltage by 1.0%/°C at more than 85°C)
- \*Withstand voltage (terminal-terminal) : 600VDC×150% for 60s
- \*Insulation resistance : ≥3000MΩ·μF at 500VDC, 20°C for 60s
- \*Dissipation factor : ≤0.1% at 1kHz, 20°C
- \*Category temperature range : From -40°C to +110°C (including temperature rise on unit surface)

DO NOT SCALE DRAWING REVISIONS INDICATED BY Δ ALL DIMENSIONS ARE IN MILLIMETERS

PACKING QUANTITY

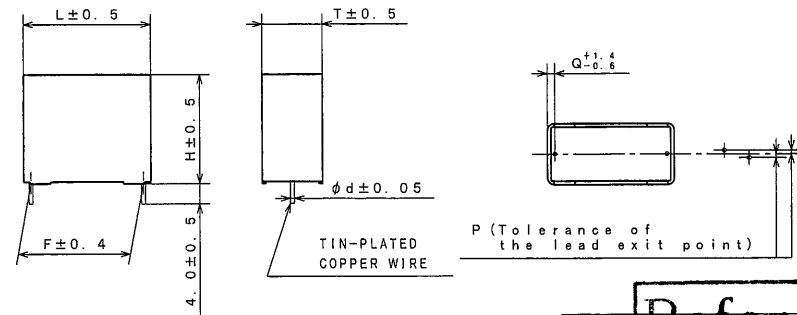
Capacitance range (μF)	Quantity (pcs.)
2.0~2.2	400
2.7~3.5	350
3.9~4.0	300
4.7~6.8	250
7.0~10.0	150
12.0	100

QUANTITY of MINIMUM ORDER

Capacitance range (μF)	Quantity (pcs.)
2.0~2.2	400
2.7~3.5	350
3.9~4.0	300
4.7~6.8	250
7.0~10.0	150
12.0	100

ALTERATION		
ISSUE	DESCRIPTION	DATE

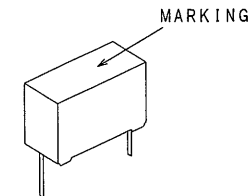
SPECIFICATIONS No.



\*F: regulation of the root

MARKING EXAMPLE

WFG 205 J  
600V    
date code



DESIGN	Reference
CHECKED	K. Suzuki
APPROVAL	K. Takumaru
ESTABLISHMENT	Nov. 7, 2019
TYPE NAME	ECWFG 60***JA
NAME	Metallized Polypropylene Film Capacitor
DRAWING NAME	PRODUCT DRAWING
DRAWING No.	J022J-J-E (1/1)

Toyama·Matsue Plant  
Device Solutions Business Division  
Panasonic Corporation