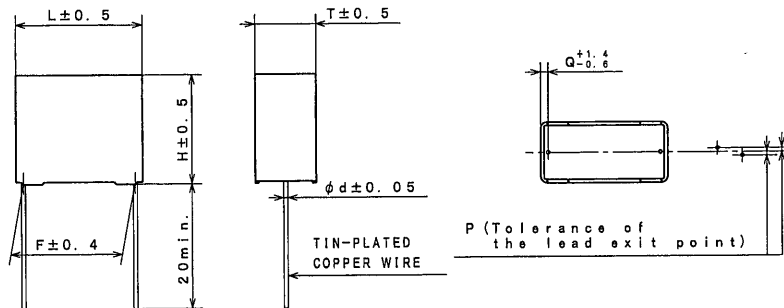


THIRD ANGLE PROJECTION

ITEM CODE	CAPACITANCE		DIMENSIONS						VOLUME (mm ³)	Note	
	μF	(*)	L	T	H	F	d	P			Q
ECWFG2J105()	1.0	(105)	31.5	9.5	18.0	27.5	1.0	0±0.8	2.0	5387	*
" 2J155()	1.5	(155)	"	10.5	21.0	"	"	"	"	6946	*
" 2J225()	2.2	(225)	"	12.0	24.5	"	"	"	"	9261	*
" 2J305()	3.0	(305)	"	13.5	28.5	"	"	"	"	12120	*
" 2J475()	4.7	(475)	"	17.5	32.5	"	"	"	"	17916	*

Note

*The specimen (the volume is more than 1750mm³) shall be satisfied with IEC60384-1 Inflammability Category B based on IEC60065, 1998~



*F: regulation of the root

CONSTRUCTION

The capacitor is of non-inductive construction, wound with metallized polypropylene film dielectric. The capacitor is enclosed in non-combustible polybutylene terephthalate case, filled with non-combustible epoxy resin and has two leads.

MARKING

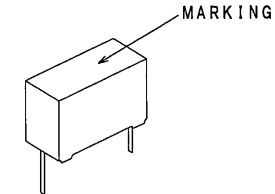
Marking comprises capacitance, capacitance tolerance, rated voltage and date code.

PROPERTIES

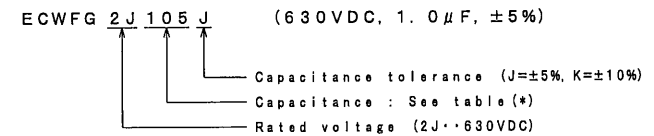
- *Capacitance : See table at 1kHz.
- *Capacitance tolerance : ±5% (J), ±10% (K) at 1kHz.
- *Rated voltage : 630VDC (Derating of rated voltage by 1.0%/°C at more than 85°C)
- *Withstand voltage (terminal-terminal) : 630VDC×150% for 60s
- *Insulation resistance : ≥3000MΩ·μF at 500VDC, 20°C for 60s
- *Dissipation factor : ≤0.1% at 1kHz, 20°C
- *Category temperature range : From -40°C to +110°C (including temperature rise on unit surface)

MARKING EXAMPLE

WFG 105 J
2 J []
↑
date code



ITEM CODE NUMBER STRUCTURE



PACKING QUANTITY

Capacitance range (μF)	Quantity (pcs.)
1.0	400
1.5	300
2.2	200
3.0	150
4.7	100

QUANTITY of MINIMUM ORDER

Capacitance range (μF)	Quantity (pcs.)
1.0	400
1.5	300
2.2	200
3.0	150
4.7	100

ALTERATION		
ISSUE	DESCRIPTION	DATE

SPECIFICATIONS No.

Reference

DESIGN	K. Ozaki
CHECKED	K. Fukumitsu
APPROVAL	M. Suenaga
ESTABLISHMENT	Mar 29, 2018
TYPE NAME	ECWFG 2J***()
NAME	Metallized Polypropylene Film Capacitor
DRAWING NAME	PRODUCT DRAWING
DRAWING No.	H004J-J-E (1/1)

Toyama-Matsue Plant
Device Solutions Business Division
Panasonic Corporation

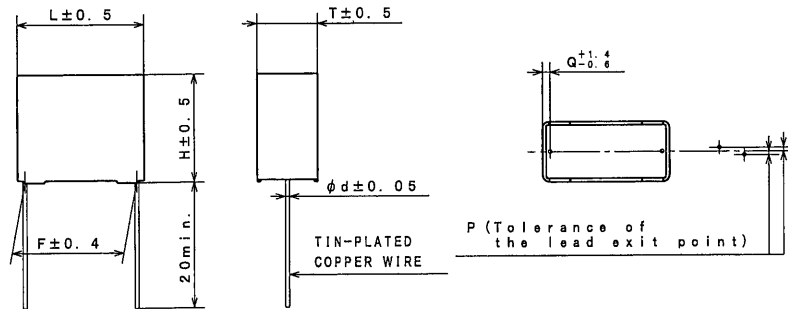
THIRD ANGLE PROJECTION

ITEM CODE	CAPACITANCE μF (*)	DIMENSIONS							VOLUME (mm ³)	Note
		L	T	H	F	d	P	Q		
ECWFG2J105**	1.0 (105)	27.0	10.5	19.0	22.5	1.0	0±0.8	2.25	5387	*
" 2J155**	1.5 (155)	"	12.0	21.0	"	"	"	"	6804	*
" 2J225**	2.2 (225)	"	15.5	24.0	"	"	"	"	10044	*
" 2J305**	3.0 (305)	"	17.5	26.5	"	"	"	"	12521	*

P1=±5% (J)
Q1=±10% (K)

Note

*The specimen (the volume is more than 1750mm³) shall be satisfied with IEC60384-1 Inflammability Category B based on IEC60065, 1998~



*F: regulation of the root

CONSTRUCTION

The capacitor is of non-inductive construction, wound with metallized polypropylene film dielectric. The capacitor is enclosed in non-combustible polybutylene terephthalate case, filled with non-combustible epoxy resin and has two leads.

MARKING

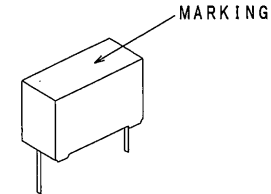
Marking comprises capacitance, capacitance tolerance, rated voltage and date code.

PROPERTIES

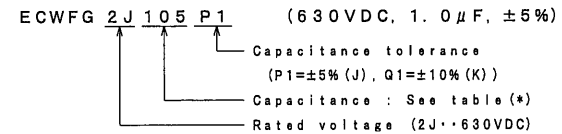
- *Capacitance : See table at 1kHz.
- *Capacitance tolerance : ±5% (J), ±10% (K) at 1kHz.
- *Rated voltage : 630VDC
(Derating of rated voltage by 1.0%/°C at more than 85°C)
- *Withstand voltage (terminal-terminal) : 630VDC×150% for 60s
- *Insulation resistance : ≥3000MΩ·μF at 500VDC, 20°C for 60s
- *Dissipation factor : ≤0.1% at 1kHz, 20°C
- *Category temperature range : From -40°C to +110°C
(including temperature rise on unit surface)

MARKING EXAMPLE

WFG 105 J
2 J
date code



ITEM CODE NUMBER STRUCTURE



PACKING QUANTITY

Capacitance range (μF)	Quantity (pcs.)
1.0	400
1.5	300
2.2	200
3.0	150

QUANTITY of MINIMUM ORDER

Capacitance range (μF)	Quantity (pcs.)
1.0	400
1.5	300
2.2	200
3.0	150

ALTERATION		
ISSUE	DESCRIPTION	DATE

SPECIFICATIONS No.

Reference

DESIGN	<i>K. Yamashita</i>
CHECKED	<i>K. Yamashita</i>
APPROVAL	<i>M. Seno</i>
ESTABLISHMENT	Ma / 29. 2018
TYPE NAME	ECWFG2J***P1 ECWFG2J***Q1
NAME	Metallized Polypropylene Film Capacitor
DRAWING NAME	PRODUCT DRAWING
DRAWING No.	H006J-J-E (1/1)

Toyama·Matsue Plant
Device Solutions Business Division
Panasonic Corporation