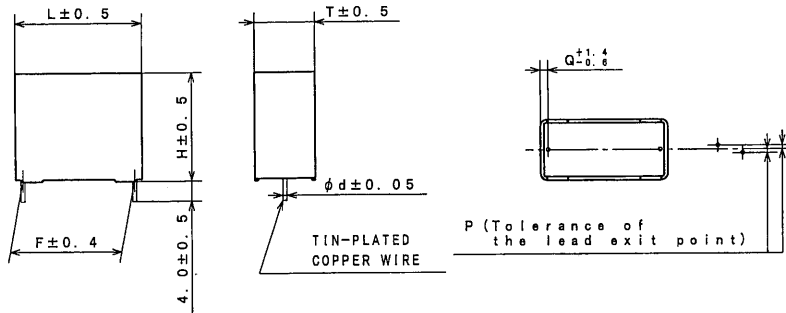


THIRD ANGLE PROJECTION

| ITEM CODE | CAPACITANCE μF (*) | DIMENSIONS | | | | | | | | VOLUME (mm ³) | Note |
|-----------------|-------------------------|------------|------|------|------|-----|-------|-----|-------|------------------------------|------|
| | | L | T | H | F | d | P | Q | | | |
| ECWFG2J105 () A | 1.0 (105) | 31.5 | 9.5 | 18.0 | 27.5 | 1.0 | 0±0.8 | 2.0 | 5387 | * | |
| " 2J155 () A | 1.5 (155) | " | 10.5 | 21.0 | " | " | " | " | 6946 | * | |
| " 2J225 () A | 2.2 (225) | " | 12.0 | 24.5 | " | " | " | " | 9261 | * | |
| " 2J305 () A | 3.0 (305) | " | 13.5 | 28.5 | " | " | " | " | 12120 | * | |
| " 2J475 () A | 4.7 (475) | " | 17.5 | 32.5 | " | " | " | " | 17916 | * | |

Note

*The specimen (the volume is more than 1750mm³) shall be satisfied with IEC60384-1 Inflammability Category B based on IEC60065, 1998~



*F: regulation of the root

CONSTRUCTION

The capacitor is of non-inductive construction, wound with metallized polypropylene film dielectric. The capacitor is enclosed in non-combustible polybutylene terephthalate case, filled with non-combustible epoxy resin and has two leads.

MARKING

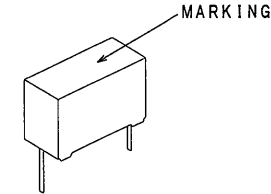
Marking comprises capacitance, capacitance tolerance, rated voltage and date code.

PROPERTIES

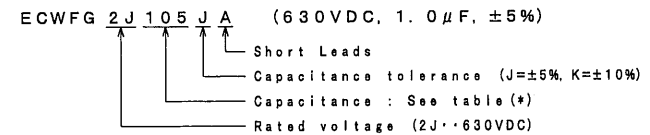
- *Capacitance : See table at 1kHz.
- *Capacitance tolerance : ±5% (J), ±10% (K) at 1kHz.
- *Rated voltage : 630VDC
(Derating of rated voltage by 1.0%/°C at more than 85°C)
- *Withstand voltage (terminal-terminal) : 630VDCX150% for 60s
- *Insulation resistance : ≥3000MΩ·μF at 500VDC, 20°C for 60s
- *Dissipation factor : ≤0.1% at 1kHz, 20°C
- *Category temperature range : From -40°C to +110°C
(including temperature rise on unit surface)

MARKING EXAMPLE

WFG105J
2J
↑
date code



ITEM CODE NUMBER STRUCTURE



PACKING QUANTITY

| Capacitance range (μF) | Quantity (pcs.) |
|------------------------|-----------------|
| 1.0 | 350 |
| 1.5 | 300 |
| 2.2 | 250 |
| 3.0 | 150 |
| 4.7 | 100 |

QUANTITY of MINIMUM ORDER

| Capacitance range (μF) | Quantity (pcs.) |
|------------------------|-----------------|
| 1.0 | 350 |
| 1.5 | 300 |
| 2.2 | 250 |
| 3.0 | 150 |
| 4.7 | 100 |

| ALTERATION | | |
|--------------------|-------------|------|
| ISSUE | DESCRIPTION | DATE |
| | | |
| SPECIFICATIONS No. | | |

Reference

| | |
|---------------|---|
| DESIGN | <i>R. Fujimura</i> |
| CHECKED | <i>K. Fujimura</i> |
| APPROVAL | <i>M. Saenaga</i> |
| ESTABLISHMENT | Mar. 29, 2018 |
| TYPE NAME | ECWFG 2J*** () A |
| NAME | Metallized Polypropylene Film Capacitor |
| DRAWING NAME | PRODUCT DRAWING |
| DRAWING No. | H005J-J-E (1/1) |

Toyama-Matsue Plant
Device Solutions Business Division
Panasonic Corporation

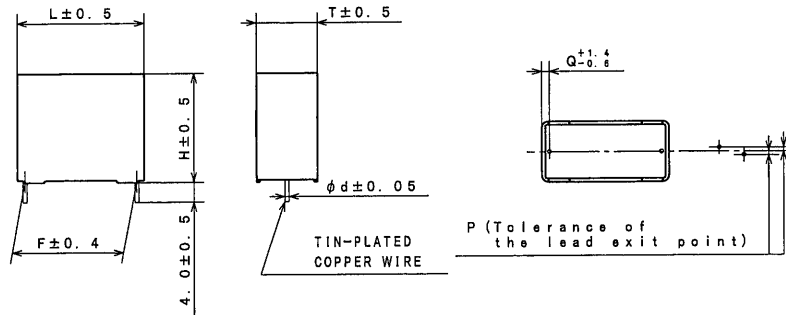
THIRD ANGLE PROJECTION

| ITEM CODE | CAPACITANCE μF (*) | DIMENSIONS | | | | | | | VOLUME (mm ³) | Note |
|--------------|-------------------------|------------|------|------|------|-----|-------|------|------------------------------|------|
| | | L | T | H | F | d | P | Q | | |
| ECWFG2J105** | 1.0 (105) | 27.0 | 10.5 | 19.0 | 22.5 | 1.0 | 0±0.8 | 2.25 | 5387 | * |
| " 2J155** | 1.5 (155) | " | 12.0 | 21.0 | " | " | " | " | 6804 | * |
| " 2J225** | 2.2 (225) | " | 15.5 | 24.0 | " | " | " | " | 10044 | * |
| " 2J305** | 3.0 (305) | " | 17.5 | 26.5 | " | " | " | " | 12521 | * |

PA=±5% (J)
QA=±10% (K)

Note

*The specimen (the volume is more than 1750mm³) shall be satisfied with IEC60384-1 Inflammability Category B based on IEC60065, 1998~



*F: regulation of the root

CONSTRUCTION

The capacitor is of non-inductive construction, wound with metallized polypropylene film dielectric. The capacitor is enclosed in non-combustible polybutylene terephthalate case, filled with non-combustible epoxy resin and has two leads.

MARKING

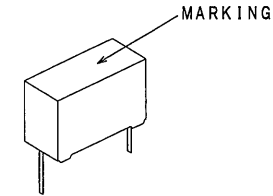
Marking comprises capacitance, capacitance tolerance, rated voltage and date code.

PROPERTIES

- *Capacitance : See table at 1kHz.
- *Capacitance tolerance : ±5% (J), ±10% (K) at 1kHz.
- *Rated voltage : 630VDC
(Derating of rated voltage by 1.0%/°C at more than 85°C)
- *Withstand voltage (terminal-terminal) : 630VDC×150% for 60s
- *Insulation resistance : ≥3000Ω·μF at 500VDC, 20°C for 60s
- *Dissipation factor : ≤0.1% at 1kHz, 20°C
- *Category temperature range : From -40°C to +110°C
(including temperature rise on unit surface)

MARKING EXAMPLE

WFG105J
2J []
date code



ITEM CODE NUMBER STRUCTURE

ECWFG 2J 105 PA (630VDC, 1.0μF, ±5%)
 ↑ Capacitance tolerance (PA=±5% (J), QA=±10% (K))
 ↑ Capacitance : See table (*)
 ↑ Rated voltage (2J=630VDC)

PACKING QUANTITY

| Capacitance range (μF) | Quantity (pcs.) |
|------------------------|-----------------|
| 1.0 | 350 |
| 1.5 | 300 |
| 2.2 | 250 |
| 3.0 | 150 |

QUANTITY of MINIMUM ORDER

| Capacitance range (μF) | Quantity (pcs.) |
|------------------------|-----------------|
| 1.0 | 350 |
| 1.5 | 300 |
| 2.2 | 250 |
| 3.0 | 150 |

| ALTERATION | | |
|--------------------|-------------|------|
| ISSUE | DESCRIPTION | DATE |
| | | |
| SPECIFICATIONS No. | | |

Reference

| | |
|---------------|---|
| DESIGN | <i>K. Takemitsu</i> |
| CHECKED | <i>K. Takemitsu</i> |
| APPROVAL | <i>M. Saito</i> |
| ESTABLISHMENT | Mar/29, 2018 |
| TYPE NAME | ECWFG2J***PA ECWFG2J***QA |
| NAME | Metallized Polypropylene Film Capacitor |
| DRAWING NAME | PRODUCT DRAWING |
| DRAWING No. | H007J-J-E (1/1) |

Toyama-Matsue Plant
Device Solutions Business Division
Panasonic Corporation