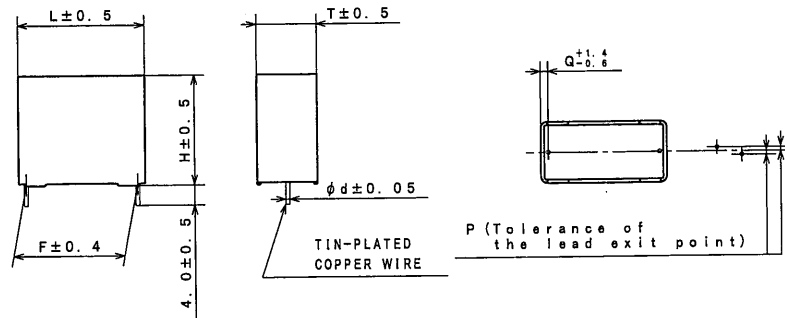


THIRD ANGLE PROJECTION

ITEM CODE	CAPACITANCE		DIMENSIONS							VOLUME (mm ³)	Note
	μF	(*)	L	T	H	F	d	P	q		
ECWFG1B105JA	1.0	(105)	31.5	10.5	21.0	27.5	0.8	0±1.0	2.0	6946	*
" 1B155JA	1.5	(155)	"	12.0	24.5	"	"	"	"	9261	*
" 1B205JA	2.0	(205)	"	"	"	"	"	"	"	"	*
" 1B225JA	2.2	(225)	"	13.5	28.5	"	"	"	"	12120	*
" 1B305JA	3.0	(305)	"	16.0	29.5	"	"	"	"	14868	*
" 1B335JA	3.3	(335)	"	"	"	"	"	"	"	"	*
" 1B405JA	4.0	(405)	"	17.5	32.5	"	"	"	"	17916	*
" 1B475JA	4.7	(475)	"	18.5	35.0	"	"	"	"	20396	*
" 1B505JA	5.0	(505)	"	"	"	"	"	"	"	"	*

Note

*The specimen (the volume is more than 1750mm³) shall be satisfied with IEC60384-1 Inflammability Category B based on IEC60065, 1998~



*F: regulation of the root

CONSTRUCTION

The capacitor is of non-inductive construction, wound with metallized polypropylene film dielectric. The capacitor is enclosed in non-combustible polybutylene terephthalate case, filled with non-combustible epoxy resin and has two leads.

MARKING

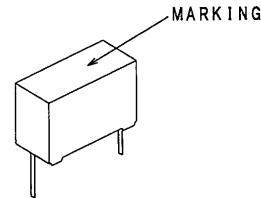
Marking comprises capacitance, capacitance tolerance, rated voltage and date code.

PROPERTIES

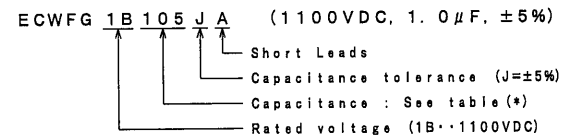
- *Capacitance : See table at 1kHz.
- *Capacitance tolerance : ±5% (J) at 1kHz.
- *Rated voltage : 1100VDC (Derating of rated voltage by 1.0%/°C at more than 85°C)
- *Withstand voltage (terminal-terminal) : 1100VDC×150% for 60s
- *Insulation resistance : ≥3000MΩ·μF at 500VDC, 20°C for 60s
- *Dissipation factor : ≤0.1% at 1kHz, 20°C
- *Category temperature range : From -40°C to +110°C (including temperature rise on unit surface)

MARKING EXAMPLE

WFG 105 J
1B []
↑
date code



ITEM CODE NUMBER STRUCTURE



PACKING QUANTITY

Capacitance range (μF)	Quantity (pcs.)
1.0	300
1.5~2.0	250
2.2	150
3.0~5.0	100

QUANTITY of MINIMUM ORDER

Capacitance range (μF)	Quantity (pcs.)
1.0	300
1.5~2.0	250
2.2	150
3.0~5.0	100

Reference

DESIGN	<i>K. Hasegawa</i>
CHECKED	<i>K. Osaki</i>
APPROVAL	<i>K. Fukumoto</i>
ESTABLISHMENT	May. 7. 2019
TYPE NAME	ECWFG 1B***JA
NAME	Metallized Polypropylene Film Capacitor
DRAWING NAME	PRODUCT DRAWING
DRAWING No.	J009J-J-E (1/1)

Toyama-Matsue Plant
Device Solutions Business Division
Panasonic Corporation