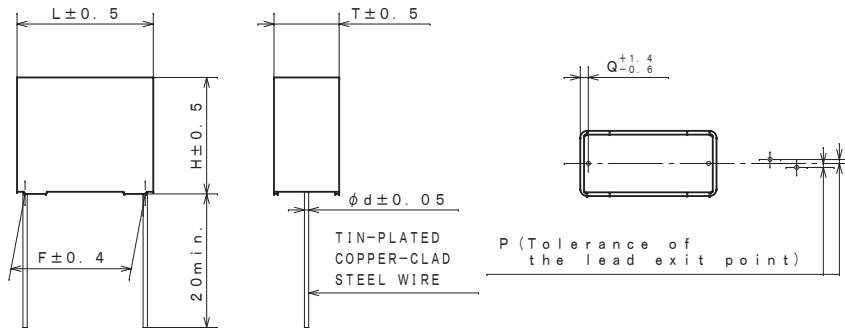


ITEM CODE	CAPACITANCE		DIMENSIONS							VOLUME (mm ³)	Note
	μF	(*)	L	T	H	F	d	P	Q		
ECWFE2W104 ()	0.10	(104)	13.0	5.0	10.5	10.0	0.6	0±0.8	1.5	683	
" 2W154 ()	0.15	(154)	"	"	"	"	"	"	"	"	
" 2W224 ()	0.22	(224)	"	6.0	12.0	"	"	"	"	936	
" 2W334 ()	0.33	(334)	"	"	"	"	"	"	"	"	
" 2W474 ()	0.47	(474)	17.5	"	11.5	15.0	0.8	"	1.3	1208	
" 2W684 ()	0.68	(684)	"	7.0	12.5	"	"	"	"	1531	
" 2W105 ()	1.0	(105)	△	"	"	"	"	"	△	"	
" 2W155 ()	1.5	(155)	"	10.0	15.5	"	"	"	"	2713	*
" 2W225 ()	2.2	(225)	△	"	"	"	"	"	△	"	*
" 2W335 ()	3.3	(335)	"	26.0	"	17.0	22.5	"	"	4420	*
" 2W475 ()	4.7	(475)	"	12.0	19.0	"	"	"	"	5928	*

Note

*The specimen (the volume is more than 1750mm³) shall be satisfied with IEC60384-1 Inflammability Category B based on IEC60065, 1998~



·F: regulation of the root

CONSTRUCTION

The capacitor is of non-inductive construction, wound with metallized polypropylene film dielectric. The capacitor is enclosed in non-combustible polybutylene terephthalate case, filled with non-combustible epoxy resin and has two leads.

MARKING

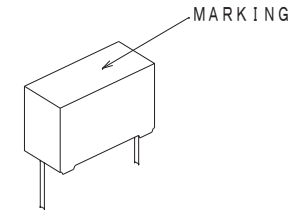
Marking comprises capacitance, capacitance tolerance, rated voltage and date code.

PROPERTIES

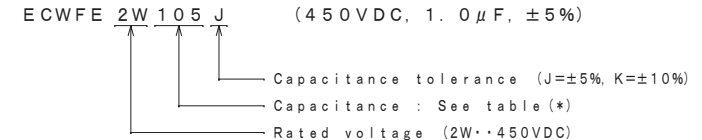
- *Capacitance : See table at 1kHz.
- *Capacitance tolerance : ±5% (J), ±10% (K) at 1kHz.
- *Rated voltage : 450VDC
(Derating of rated voltage by 1.25%/°C at more than 85°C)
- *Withstand voltage (terminal-terminal) : 450VDC×150% for 60s
- *Insulation resistance : ≥30000MΩ (C≤0.33μF) at 100VDC, 20°C for 60s
: ≥10000MΩ·μF (C>0.33μF) at 100VDC, 20°C for 60s
- *Dissipation factor : ≤0.1% at 1kHz, 20°C
- *Category temperature range : From -40°C to +105°C
(including temperature rise on unit surface)

MARKING EXAMPLE

WFE 2W
105 J date code



ITEM CODE NUMBER STRUCTURE



PACKING QUANTITY

Capacitance range (μF)	Quantity (pcs.)
0.1 ~ 0.15	2000
0.22 ~ 1.0	1500
1.5 ~ 2.2	1000
3.3	500
4.7	300

QUANTITY of MINIMUM ORDER

Capacitance range (μF)	Quantity (pcs.)
0.1 ~ 2.2	1000
3.3	500
4.7	300

ALTERATION

ISSUE	DESCRIPTION	DATE
△	Company name changed	Apr. 1 2013
△	Changed: DIMENSIONS L (18.0~17.5), Q (1.5~1.25) VOLUME (1575~1531, 2790~2713)	Apr. 14 2014
△	Addition (104~475) Changed: DIMENSIONS Q (1.25~1.3: 105, 225) Company name changed	Sep. 3 2015
△	Company name changed	Apr. 1 2022

SPECIFICATIONS No.

DESIGN	M. MEKADA
CHECKED	H. YAMAMOTO
APPROVAL	T. KATO
ESTABLISHMENT	Jan. 10, 2013
TYPE NAME	
ECWFE2W*** ()	
NAME Metallized Polypropylene Film Capacitor	
DRAWING NAME	
PRODUCT DRAWING	
DRAWING No.	
B012J-J-E (1/1)	

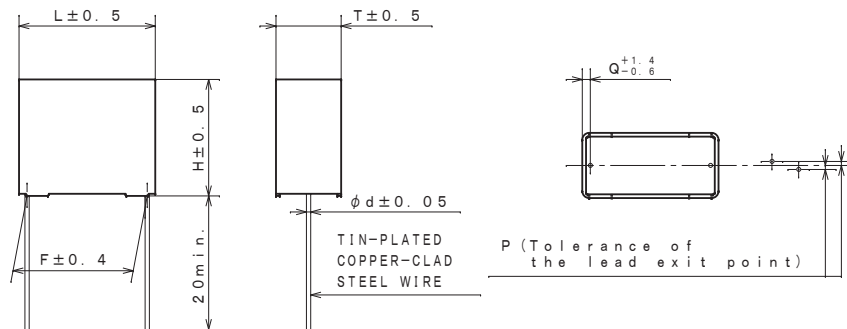
Film Capacitor Business Unit
Device Solutions Business Division
Panasonic Industry Co., Ltd.

ITEM CODE	CAPACITANCE μF (*)	DIMENSIONS								VOLUME (mm ³)	Note
		L	T	H	F	d	P	Q			
ECWFE2W104**	0. 10 (104)	17. 5	5. 0	10. 5	15. 0	0. 6	0±0. 8	1. 25	9 19		
" 2W154**	0. 15 (154)	"	"	"	"	"	"	"	"		
" 2W224**	0. 22 (224)	"	"	"	"	"	"	"	"		
" 2W334**	0. 33 (334)	"	"	"	"	"	"	"	"		
△ " 2W335**	3. 3 (335)	31. 0	13. 0	23. 0	27. 5	0. 8	"	1. 75	9269	*	
△ " 2W475**	4. 7 (475)	"	15. 5	25. 5	"	"	"	"	12253	*	

P5=±5% (J)
Q5=±10% (K)

Note

*The specimen (the volume is more than 1750mm³) shall be satisfied with IEC60384-1 Inflammability Category B based on IEC60065, 1998~



·F: regulation of the root

CONSTRUCTION

The capacitor is of non-inductive construction, wound with metallized polypropylene film dielectric. The capacitor is enclosed in non-combustible polybutylene telephthalate case, filled with non-combustible epoxy resin and has two leads.

MARKING

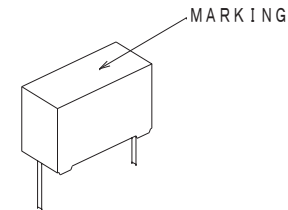
Marking comprises capacitance, capacitance tolerance, rated voltage and date code.

PROPERTIES

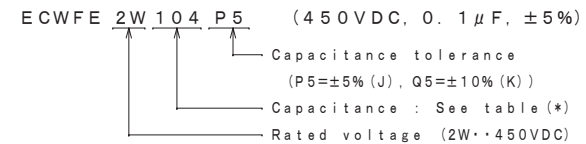
- *Capacitance : See table at 1kHz.
- *Capacitance tolerance : ±5% (J), ±10% (K) at 1kHz.
- *Rated voltage : 450VDC
(Derating of rated voltage by 1.25%/°C at more than 85°C)
- *Withstand voltage (terminal-terminal) : 450VDC×150% for 60s
- *Insulation resistance : ≥30000MΩ (C≤0.33μF) at 100VDC, 20°C for 60s
△ ≥10000MΩ·μF (C>0.33μF) at 100VDC, 20°C for 60s
- *Dissipation factor : ≤0.1% at 1kHz, 20°C
- *Category temperature range : From -40°C to +105°C
(including temperature rise on unit surface)

MARKING EXAMPLE

WFE 2W
104 J
↑
date code



ITEM CODE NUMBER STRUCTURE



PACKING QUANTITY

Capacitance range (μF)	Quantity (pcs.)
0.1 ~ 0.33	1500
△ 3.3	200
△ 4.7	150

QUANTITY of MINIMUM ORDER

Capacitance range (μF)	Quantity (pcs.)
0.1 ~ 0.33	1000
△ 3.3	200
△ 4.7	150

ALTERATION

ISSUE	DESCRIPTION	DATE
△	Addition (335, 475)	Feb. 12 2019
△	Company name changed	Apr. 1 2022

SPECIFICATIONS No.

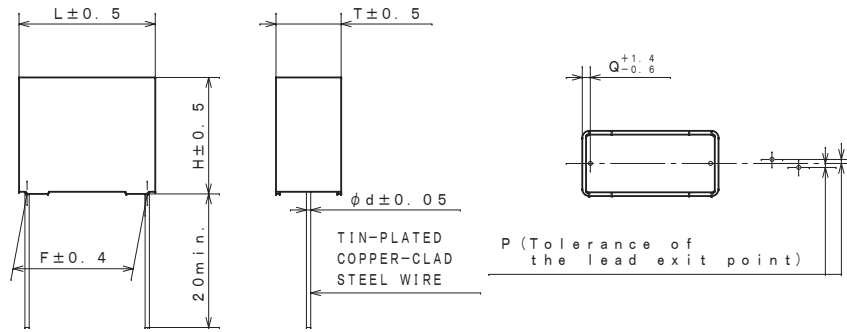
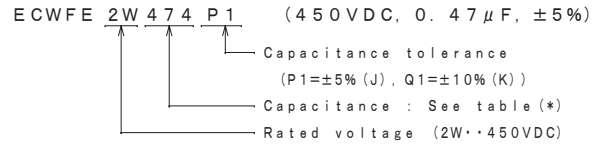
DESIGN	M. MEKADA
CHECKED	T. KATO
APPROVAL	T. KATO
ESTABLISHMENT	Dec. 13, 2018
TYPE NAME	ECWFE2W***P5 ECWFE2W***Q5
NAME	Metallized Polypropylene Film Capacitor
DRAWING NAME	PRODUCT DRAWING
DRAWING No.	H014J-J-E (1/1)

Film Capacitor Business Unit
Device Solutions Business Division
Panasonic Industry Co., Ltd.

ITEM CODE	CAPACITANCE μF (*)	DIMENSIONS							VOLUME (mm ³)	Note
		L	T	H	F	d	P	Q		
ECWFE2W474**	0.47 (474)	13.0	7.0	12.5	10.0	0.6	0±0.8	1.5	1138	

P1=±5% (J)
Q1=±10% (K)

ITEM CODE NUMBER STRUCTURE



·F: regulation of the root

CONSTRUCTION

The capacitor is of non-inductive construction, wound with metallized polypropylene film dielectric. The capacitor is enclosed in non-combustible polybutylene telephthalate case, filled with non-combustible epoxy resin and has two leads.

MARKING

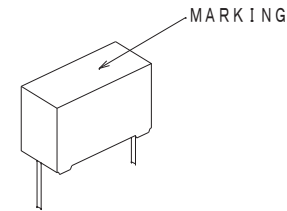
Marking comprises capacitance, capacitance tolerance, rated voltage and date code.

PROPERTIES

- *Capacitance : See table at 1kHz.
- *Capacitance tolerance : ±5% (J), ±10% (K) at 1kHz.
- *Rated voltage : 450VDC
(Derating of rated voltage by 1.25%/°C at more than 85°C)
- *Withstand voltage (terminal-terminal) : 450VDC×150% for 60s
- *Insulation resistance : ≥10000MΩ·μF at 100VDC, 20°C for 60s
- *Dissipation factor : ≤0.1% at 1kHz, 20°C
- *Category temperature range : From -40°C to +105°C
(including temperature rise on unit surface)

MARKING EXAMPLE

WFE 2W
474 J
date code



PACKING QUANTITY

Capacitance range (μF)	Quantity (pcs.)
0.47	1500

QUANTITY of MINIMUM ORDER

Capacitance range (μF)	Quantity (pcs.)
0.47	1000

ALTERATION

ISSUE	DESCRIPTION	DATE
△	Company name changed	Apr. 1 2022

SPECIFICATIONS No.

DESIGN	M. MEKADA
CHECKED	Y. YAMAMOTO
APPROVAL	T. KATO
ESTABLISHMENT	Sep. 3, 2015
TYPE NAME	ECWFE2W474P1 ECWFE2W474Q1
NAME	Metallized Polypropylene Film Capacitor
DRAWING NAME	PRODUCT DRAWING
DRAWING No.	E009J-J-E (1/1)

Film Capacitor Business Unit
Device Solutions Business Division
Panasonic Industry Co., Ltd.

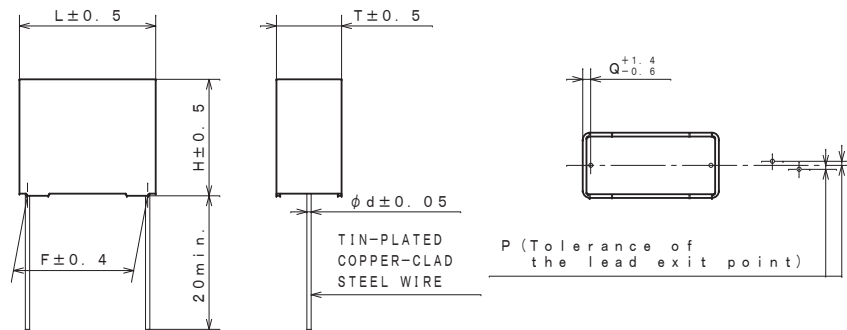
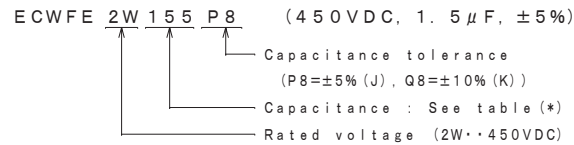
ITEM CODE	CAPACITANCE μF (*)	DIMENSIONS							VOLUME (mm ³)	Note
		L	T	H	F	d	P	Q		
ECWFE2W155**	1.5 (155)	31.0	9.0	19.0	27.5	0.8	0±0.8	1.75	5301	*
" 2W225**	2.2 (225)	"	11.0	21.0	"	"	"	"	7161	*

↑ P8=±5% (J)
↑ Q8=±10% (K)

Note

*The specimen (the volume is more than 1750mm³) shall be satisfied with IEC60384-1 Inflammability Category B based on IEC60065, 1998~

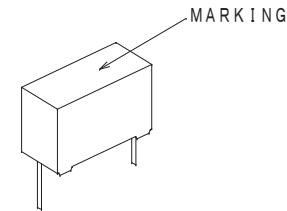
ITEM CODE NUMBER STRUCTURE



·F: regulation of the root

MARKING EXAMPLE

WFE 2W
155 J
date code



PACKING QUANTITY

Capacitance range (μF)	Quantity (pcs.)
1.5	400
2.2	200

QUANTITY of MINIMUM ORDER

Capacitance range (μF)	Quantity (pcs.)
1.5	400
2.2	200

CONSTRUCTION

The capacitor is of non-inductive construction, wound with metallized polypropylene film dielectric. The capacitor is enclosed in non-combustible polybutylene telephthalate case, filled with non-combustible epoxy resin and has two leads.

MARKING

Marking comprises capacitance, capacitance tolerance, rated voltage and date code.

PROPERTIES

- *Capacitance : See table at 1kHz.
- *Capacitance tolerance : ±5% (J), ±10% (K) at 1kHz.
- *Rated voltage : 450VDC
(Derating of rated voltage by 1.25%/°C at more than 85°C)
- *Withstand voltage (terminal-terminal) : 450VDC×150% for 60s
- *Insulation resistance : ≥10000MΩ·μF at 100VDC, 20°C for 60s
- *Dissipation factor : ≤0.1% at 1kHz, 20°C
- *Category temperature range : From -40°C to +105°C
(including temperature rise on unit surface)

ALTERATION		
ISSUE	DESCRIPTION	DATE
△	Company name changed	Apr. 1 2022
SPECIFICATIONS No.		

DESIGN	M. MEKADA
CHECKED	T. KATO
APPROVAL	T. KATO
ESTABLISHMENT	Feb. 12, 2019
TYPE NAME	
ECWFE2W***P8	
ECWFE2W***Q8	
NAME Metallized Polypropylene Film Capacitor	
DRAWING NAME	
PRODUCT DRAWING	
DRAWING No.	
J006J-J-E (1/1)	

Film Capacitor Business Unit
Device Solutions Business Division
Panasonic Industry Co., Ltd.