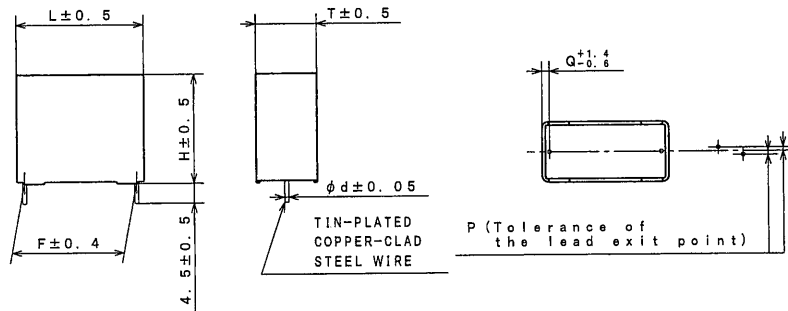


THIRD ANGLE PROJECTION

ITEM CODE	CAPACITANCE μF (*)	DIMENSIONS								VOLUME (mm ³)	Note
		L	T	H	F	d	P	Q			
ECWFE2W104 () A	0.10 (104)	13.0	5.0	10.5	10.0	0.6	0±0.8	1.5	683		
" 2W154 () A	0.15 (154)	"	"	"	"	"	"	"	"		
" 2W224 () A	0.22 (224)	"	6.0	12.0	"	"	"	"	936		
" 2W334 () A	0.33 (334)	"	"	"	"	"	"	"	"		
" 2W474 () A	0.47 (474)	17.5	"	11.5	15.0	0.8	"	1.3	1208		
" 2W684 () A	0.68 (684)	"	7.0	12.5	"	"	"	"	1531		
" 2W105 () A	1.0 (105)	△	"	"	"	"	"	△	"		
" 2W155 () A	1.5 (155)	"	10.0	15.5	"	"	"	"	2713	*	
" 2W225 () A	2.2 (225)	△	"	"	"	"	"	△	"	*	
" 2W335 () A	3.3 (335)	"	26.0	"	17.0	22.5	"	"	4420	*	
" 2W475 () A	4.7 (475)	"	12.0	19.0	"	"	"	"	5928	*	

Note

*The specimen (the volume is more than 1750mm³) shall be satisfied with IEC60384-1 Inflammability Category B based on IEC60065, 1998~



*F: regulation of the root

CONSTRUCTION

The capacitor is of non-inductive construction, wound with metallized polypropylene film dielectric. The capacitor is enclosed in non-combustible polybutylene telephthalate case, filled with non-combustible epoxy resin and has two leads.

MARKING

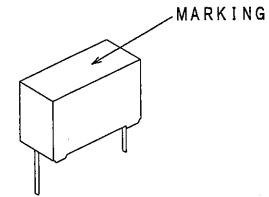
Marking comprises capacitance, capacitance tolerance, rated voltage and date code.

PROPERTIES

- *Capacitance : See table at 1kHz.
- *Capacitance tolerance : ±5% (J), ±10% (K) at 1kHz.
- *Rated voltage : 450VDC (Derating of rated voltage by 1.25%/°C at more than 85°C)
- *Withstand voltage (terminal-terminal) : 450VDC×150% for 60s
- *Insulation resistance : ≥30000MΩ (C≤0.33μF) at 100VDC, 20°C for 60s
 : ≥10000MΩ·μF (C>0.33μF) at 100VDC, 20°C for 60s
- *Dissipation factor : ≤0.1% at 1kHz, 20°C
- *Category temperature range : From -40°C to +105°C (including temperature rise on unit surface)

MARKING EXAMPLE

WFE2W
105J
date code



ITEM CODE NUMBER STRUCTURE

ECWFE 2W 105 J A (450VDC, 1.0μF, ±5%)

- Short Leads
- Capacitance tolerance (J=±5%, K=±10%)
- Capacitance : See table (*)
- Rated voltage (2W=450VDC)

PACKING QUANTITY

Capacitance range (μF)	Quantity (pcs.)
0.1 ~ 0.15	1300
0.22 ~ 1.0	1000
1.5 ~ 2.2	600
3.3	300
4.7	200

QUANTITY of MINIMUM ORDER

Capacitance range (μF)	Quantity (pcs.)
0.1 ~ 1.0	1000
1.5 ~ 2.2	600
3.3	300
4.7	200

ALTERATION

ISSUE	DESCRIPTION	DATE
△	Addition (104~475) Changed: DIMENSIONS Q (1.25~1.3; 105, 225) Company name changed	Sep. 3 2015
SPECIFICATIONS No.		

Reference

DESIGN	<i>M. Miyakawa</i>
CHECKED	<i>M. Kashi</i>
APPROVAL	<i>Y. Takata</i>
ESTABLISHMENT	Apr. 14, 2014
TYPE NAME	ECWFE2W*** () A
NAME	Metallized Polypropylene Film Capacitor
DRAWING NAME	PRODUCT DRAWING
DRAWING No.	B013J-J-E (1/1)

Toyama-Matsue Plant
Device Solutions Business Division
Panasonic Corporation

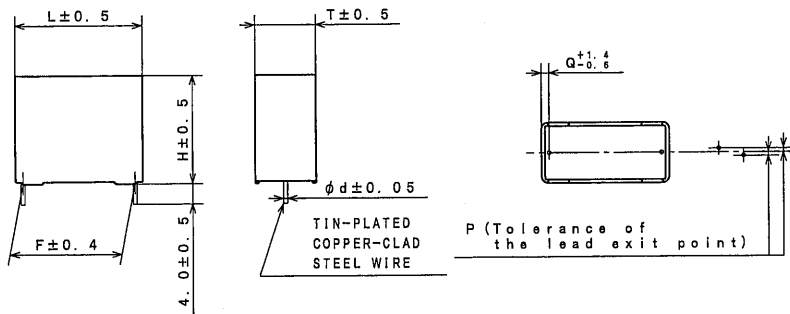
THIRD ANGLE PROJECTION

ITEM CODE	CAPACITANCE μF (*)	DIMENSIONS							VOLUME (mm ³)	Note
		L	T	H	F	d	P	Q		
ECWFE2W104**	0.10 (104)	17.5	5.0	10.5	15.0	0.6	0±0.8	1.25	919	
" 2W154**	0.15 (154)	"	"	"	"	"	"	"	"	
" 2W224**	0.22 (224)	"	"	"	"	"	"	"	"	
" 2W334**	0.33 (334)	"	"	"	"	"	"	"	"	
△ " 2W335**	3.3 (335)	31.0	13.0	23.0	27.5	0.8	"	1.75	9269	*
△ " 2W475**	4.7 (475)	"	15.5	25.5	"	"	"	"	12253	*

PD=±5% (J)
QD=±10% (K)

Note

*The specimen (the volume is more than 1750mm³) shall be satisfied with IEC60384-1 Inflammability Category B based on IEC60065, 1998~



*F: regulation of the root

CONSTRUCTION

The capacitor is of non-inductive construction, wound with metallized polypropylene film dielectric. The capacitor is enclosed in non-combustible polybutylene terephthalate case, filled with non-combustible epoxy resin and has two leads.

MARKING

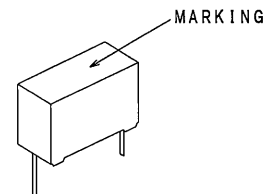
Marking comprises capacitance, capacitance tolerance, rated voltage and date code.

PROPERTIES

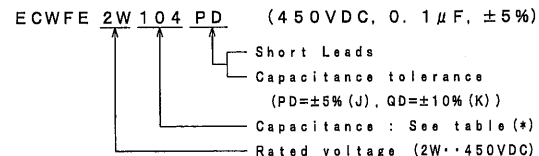
- *Capacitance : See table at 1kHz.
- *Capacitance tolerance : ±5% (J), ±10% (K) at 1kHz.
- *Rated voltage : 450VDC
(Derating of rated voltage by 1.25%/°C at more than 85°C)
- *Withstand voltage (terminal-terminal) : 450VDC x 150% for 60s
- *Insulation resistance : ≥30000MΩ (C≤0.33μF) at 100VDC, 20°C for 60s
△ : ≥10000MΩ·μF (C>0.33μF) at 100VDC, 20°C for 60s
- *Dissipation factor : ≤0.1% at 1kHz, 20°C
- *Category temperature range : From -40°C to +105°C
(including temperature rise on unit surfaces)

MARKING EXAMPLE

WFE2W
104 J date code



ITEM CODE NUMBER STRUCTURE



PACKING QUANTITY

Capacitance range (μF)	Quantity (pcs.)
0.1 ~ 0.33	1500
△ 3.3	200
△ 4.7	100

QUANTITY of MINIMUM ORDER

Capacitance range (μF)	Quantity (pcs.)
0.1 ~ 0.33	1000
△ 3.3	200
△ 4.7	100

ALTERATION

ISSUE	DESCRIPTION	DATE
△	Addition (335, 475)	Feb. 12 2019

SPECIFICATIONS No.

Reference

DESIGN	K. Murakami
CHECKED	K. Oishi
APPROVAL	K. Takahashi
ESTABLISHMENT	Dec. 13, 2018
TYPE NAME	
ECWFE2W***PD	
ECWFE2W***QD	
NAME Metallized Polypropylene Film Capacitor	
DRAWING NAME	
PRODUCT DRAWING	
DRAWING No.	
H015J-J-E (1/1)	

Toyama·Matsue Plant
Device Solutions Business Division
Panasonic Corporation

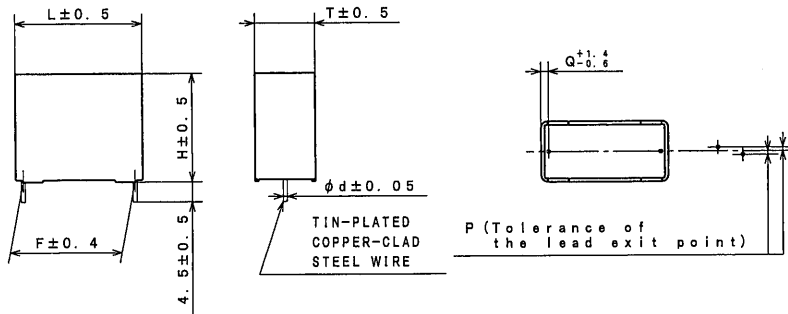
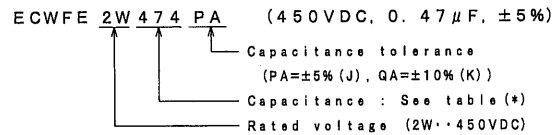
THIRD ANGLE PROJECTION

ITEM CODE	CAPACITANCE μF (*)	DIMENSIONS							VOLUME (mm ³)	Note
		L	T	H	F	d	P	Q		
ECWFE2W474**	0.47 (474)	13.0	7.0	12.5	10.0	0.6	0±0.8	1.5	1138	

PA=±5% (J)
QA=±10% (K)

ALTERATION		
ISSUE	DESCRIPTION	DATE
SPECIFICATIONS No.		

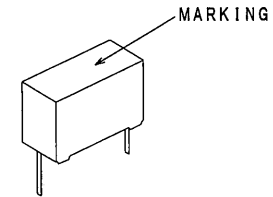
ITEM CODE NUMBER STRUCTURE



·F: regulation of the root

MARKING EXAMPLE

WFE 2W
474 J
↑
date code



PACKING QUANTITY

Capacitance range (μF)	Quantity (pcs.)
0.47	1200

QUANTITY of MINIMUM ORDER

Capacitance range (μF)	Quantity (pcs.)
0.47	1000

CONSTRUCTION

The capacitor is of non-inductive construction, wound with metallized polypropylene film dielectric. The capacitor is enclosed in non-combustible polybutylene telephthalate case, filled with non-combustible epoxy resin and has two leads.

MARKING

Marking comprises capacitance, capacitance tolerance, rated voltage and date code.

PROPERTIES

- *Capacitance : See table at 1kHz.
- *Capacitance tolerance : ±5% (J), ±10% (K) at 1kHz.
- *Rated voltage : 450VDC
(Derating of rated voltage by 1.25%/°C at more than 85°C)
- *Withstand voltage (terminal-terminal) : 450VDC×150% for 60s
- *Insulation resistance : ≥10000MΩ·μF at 100VDC, 20°C for 60s
- *Dissipation factor : ≤0.1% at 1kHz, 20°C
- *Category temperature range : From -40°C to +105°C
(including temperature rise on unit surface)

DO NOT SCALE DRAWING REVISIONS INDICATED BY Δ ALL DIMENSIONS ARE IN MILLIMETERS

Reference

DESIGN	<i>K. Murakami</i>
CHECKED	<i>M. Kashi</i>
APPROVAL	<i>Y. Takata</i>
ESTABLISHMENT	Sep. 3, 2015
TYPE NAME	ECWFE2W474PA ECWFE2W474QA
NAME	Metallized Polypropylene Film Capacitor
DRAWING NAME	PRODUCT DRAWING
DRAWING No.	E010J-J-E (1/1)

Toyama·Matsue Plant
Device Solutions Business Division
Panasonic Corporation

THIRD ANGLE PROJECTION

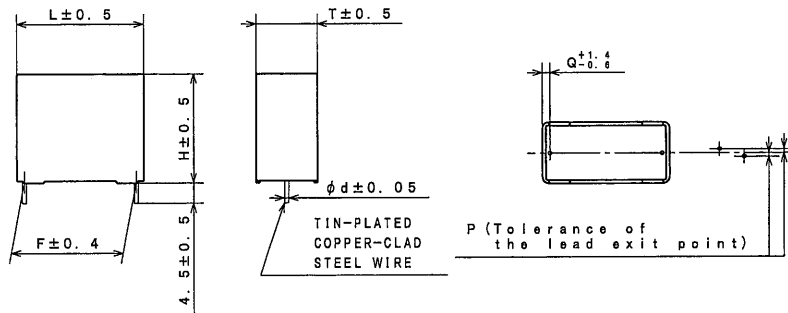
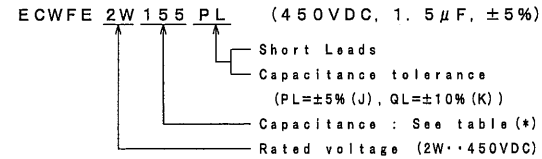
ITEM CODE	CAPACITANCE μF (*)	DIMENSIONS							VOLUME (mm ³)	Note
		L	T	H	F	d	P	Q		
ECWFE2W155**	1.5 (155)	31.0	9.0	19.0	27.5	0.8	0±0.8	1.75	5301	*
" 2W225**	2.2 (225)	"	11.0	21.0	"	"	"	"	7161	*

PL=±5% (J)
QL=±10% (K)

Note

*The specimen (the volume is more than 1750mm³) shall be satisfied with IEC60384-1 Inflammability Category B based on IEC60065, 1998~

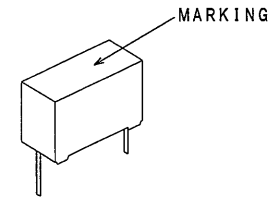
ITEM CODE NUMBER STRUCTURE



*F: regulation of the root

MARKING EXAMPLE

WFE 2W
155 J
date code



PACKING QUANTITY

Capacitance range (μF)	Quantity (pcs.)
1.5	300
2.2	200

QUANTITY of MINIMUM ORDER

Capacitance range (μF)	Quantity (pcs.)
1.5	300
2.2	200

CONSTRUCTION

The capacitor is of non-inductive construction, wound with metallized polypropylene film dielectric. The capacitor is enclosed in non-combustible polybutylene terephthalate case, filled with non-combustible epoxy resin and has two leads.

MARKING

Marking comprises capacitance, capacitance tolerance, rated voltage and date code.

PROPERTIES

- *Capacitance : See table at 1kHz.
- *Capacitance tolerance : ±5% (J), ±10% (K) at 1kHz.
- *Rated voltage : 450VDC
(Derating of rated voltage by 1.25%/°C at more than 85°C)
- *Withstand voltage (terminal-terminal) : 450VDC×150% for 60s
- *Insulation resistance : ≥10000MΩ·μF at 100VDC, 20°C for 60s
- *Dissipation factor : ≤0.1% at 1kHz, 20°C
- *Category temperature range : From -40°C to +105°C
(including temperature rise on unit surface)

ALTERATION		
ISSUE	DESCRIPTION	DATE

SPECIFICATIONS No.

Reference

DESIGN	<i>K. Murakami</i>
CHECKED	<i>R. Osaki</i>
APPROVAL	<i>K. Takemitsu</i>
ESTABLISHMENT	Feb. 12, 2019
TYPE NAME	ECWFE2W***PL ECWFE2W***QL
NAME	Metallized Polypropylene Film Capacitor
DRAWING NAME	PRODUCT DRAWING
DRAWING No.	J007J-J-E (1/1)

Toyama·Matsue Plant
Device Solutions Business Division
Panasonic Corporation