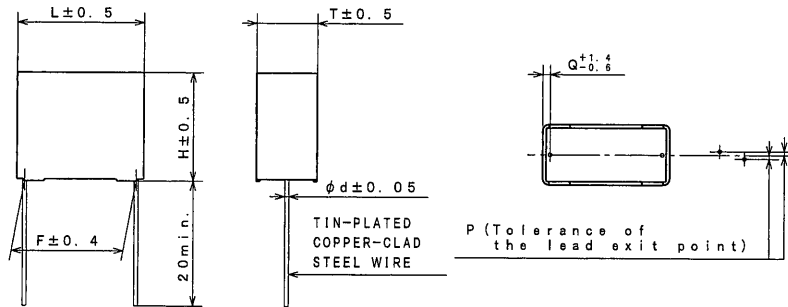


THIRD ANGLE PROJECTION

ITEM CODE	CAPACITANCE		DIMENSIONS							VOLUME (mm ³)	Note
	μF	(*)	L	T	H	F	d	P	Q		
ECWFE2J104 ()	0.10	(104)	17.5	5.0	10.5	15.0	0.6	0±0.8	1.25	919	
" 2J154 ()	0.15	(154)	"	6.0	11.5	"	"	"	"	1208	
" 2J224 ()	0.22	(224)	"	7.0	12.5	"	"	"	"	1531	
" 2J334 ()	0.33	(334)	"	8.5	14.5	"	"	"	"	2157	*
" 2J474 ()	0.47	(474)	"	10.0	15.5	"	"	"	"	2713	*
" 2J684 ()	0.68	(684)	"	11.0	17.5	"	"	"	"	3369	*
" 2J105 ()	1.0	(105)	26.0	10.0	17.0	22.5	0.8	"	1.75	4420	*
" 2J155 ()	1.5	(155)	"	12.0	19.0	"	"	"	"	5928	*
" 2J225 ()	2.2	(225)	"	16.0	23.0	"	"	"	"	9568	*

Note

*The specimen (the volume is more than 1750mm³) shall be satisfied with IEC60384-1 Inflammability Category B based on IEC60065, 1998~



*F:regulation of the root

CONSTRUCTION

The capacitor is of non-inductive construction, wound with metallized polypropylene film dielectric. The capacitor is enclosed in non-combustible polybutylene terephthalate case, filled with non-combustible epoxy resin and has two leads.

MARKING

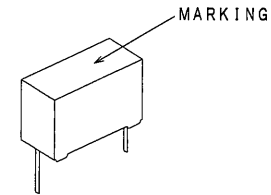
Marking comprises capacitance, capacitance tolerance, rated voltage and date code.

PROPERTIES

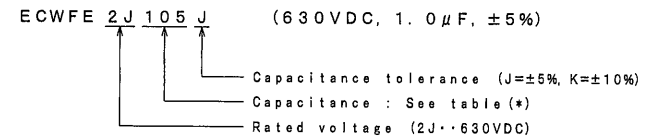
- *Capacitance : See table at 1kHz.
- *Capacitance tolerance : ±5% (J), ±10% (K) at 1kHz.
- *Rated voltage : 630VDC
- △ (Derating of rated voltage by 1.0%/°C at more than 85°C)
- *Withstand voltage (terminal-terminal) : 630VDCx150% for 60s
- *Insulation resistance : ≥9000MΩ (C≤0.33μF) at 500VDC, 20°C for 60s
- : ≥3000MΩ·μF (C>0.33μF) at 500VDC, 20°C for 60s
- *Dissipation factor : ≤0.1% at 1kHz, 20°C
- *Category temperature range : From -40°C to +105°C (including temperature rise on unit surface)

MARKING EXAMPLE

WFE 2 J
105 J
↑
date code



ITEM CODE NUMBER STRUCTURE



PACKING QUANTITY

Capacitance range (μF)	Quantity (pcs.)
0.1 ~ 0.22	1500
0.33 ~ 0.47	1000
0.68	600
1.0	500
1.5	300
2.2	200

QUANTITY of MINIMUM ORDER

Capacitance range (μF)	Quantity (pcs.)
0.1 ~ 0.47	1000
0.68	600
1.0	500
1.5	300
2.2	200

ALTERATION		
ISSUE	DESCRIPTION	DATE
△	Err. correction Derating of rated voltage by 1.25%/°C... ...by 1.0%/°C...	Nov. 16 2015
SPECIFICATIONS No.		

Reference

DESIGN	<i>On the board</i>
CHECKED	<i>M. Kashi</i>
APPROVAL	<i>K. Fukumoto</i>
ESTABLISHMENT	Oct. 15, 2015
TYPE NAME	ECWFE2J*** ()
NAME	Metallized Polypropylene Film Capacitor
DRAWING NAME	PRODUCT DRAWING
DRAWING No.	E012J-J-E (1/1)

Toyama·Matsue Plant
Device Solutions Business Division
Panasonic Corporation

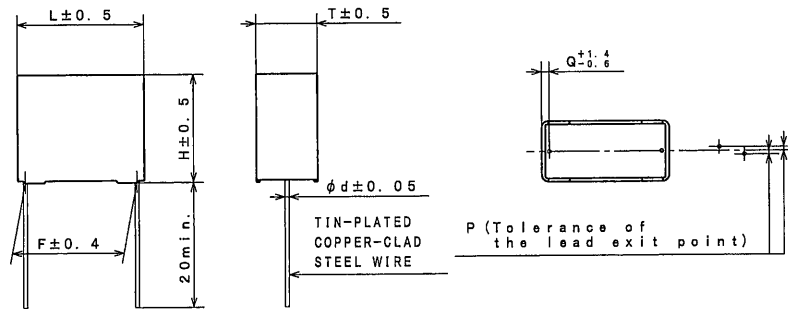
THIRD ANGLE PROJECTION

ITEM CODE	CAPACITANCE μF (*)	DIMENSIONS								VOLUME (mm ³)	Note
		L	T	H	F	d	P	Q			
ECWFE2J104**	0.10 (104)	26.0	6.0	13.0	22.5	0.8	0±0.8	1.75	2028	*	
" 2J154**	0.15 (154)	"	"	"	"	"	"	"	2028	*	
" 2J224**	0.22 (224)	"	"	"	"	"	"	"	2028	*	
" 2J334**	0.33 (334)	"	7.0	14.0	"	"	"	"	2548	*	
" 2J474**	0.47 (474)	"	8.0	15.0	"	"	"	"	3120	*	
△ " 2J105**	1.0 (105)	31.0	9.0	19.0	27.5	"	"	"	5301	*	
△ " 2J155**	1.5 (155)	"	11.0	21.0	"	"	"	"	7161	*	
△ " 2J225**	2.2 (225)	"	13.0	23.0	"	"	"	"	9269	*	

P5=±5% (J)
Q5=±10% (K)

Note

*The specimen (with the volume is more than 1750mm³) shall be satisfied with IEC60384-1 Inflammability Category B based on IEC60065, 1998~



*F: regulation of the root

CONSTRUCTION

The capacitor is of non-inductive construction, wound with metallized polypropylene film dielectric. The capacitor is enclosed in non-combustible polybutylene terephthalate case, filled with non-combustible epoxy resin and has two leads.

MARKING

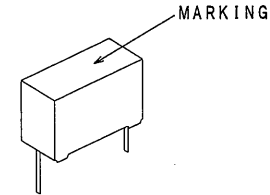
Marking comprises capacitance, capacitance tolerance, rated voltage and date code.

PROPERTIES

- *Capacitance : See table at 1kHz.
- *Capacitance tolerance : ±5% (J), ±10% (K) at 1kHz.
- *Rated voltage : 630VDC
(Derating of rated voltage by 1.0%/°C at more than 85°C)
- *Withstand voltage (terminal-terminal) : 630VDCx150% for 60s
- *Insulation resistance : ≥9000MΩ (C≤0.33μF) at 500VDC, 20°C for 60s
: ≥3000MΩ·μF (C>0.33μF) at 500VDC, 20°C for 60s
- *Dissipation factor : ≤0.1% at 1kHz, 20°C
- *Category temperature range : From -40°C to +105°C
(including temperature rise on unit surface)

MARKING EXAMPLE

WFE 2 J
104 J
↑
date code



ITEM CODE NUMBER STRUCTURE

ECWFE 2 J 104 P5 (630VDC, 0.1 μF, ±5%)
 ↑ ↑ ↑
 Capacitance tolerance (P5=±5% (J), Q5=±10% (K))
 Capacitance : See table (*)
 Rated voltage (2J·630VDC)

PACKING QUANTITY

Capacitance range (μF)	Quantity (pcs.)
0.1 ~ 0.22	900
0.33	700
0.47	600
△ 1.0	400
△ 1.5 ~ 2.2	200

QUANTITY of MINIMUM ORDER

Capacitance range (μF)	Quantity (pcs.)
0.1 ~ 0.22	900
0.33	700
0.47	600
△ 1.0	400
△ 1.5 ~ 2.2	200

ALTERATION		
ISSUE	DESCRIPTION	DATE
△	Addition (105~225)	Feb. 12 2019
SPECIFICATIONS No.		

Reference

DESIGN	<i>K. Murakami</i>
CHECKED	<i>K. Osaki</i>
APPROVAL	<i>K. Fukumitsu</i>
ESTABLISHMENT	Jan. 30, 2019
TYPE NAME	
ECWFE2J***P5 ECWFE2J***Q5	
NAME Metallized Polypropylene Film Capacitor	
DRAWING NAME PRODUCT DRAWING	
DRAWING No. J003J-J-E (1/1)	

Toyama·Matsue Plant
Device Solutions Business Division
Panasonic Corporation