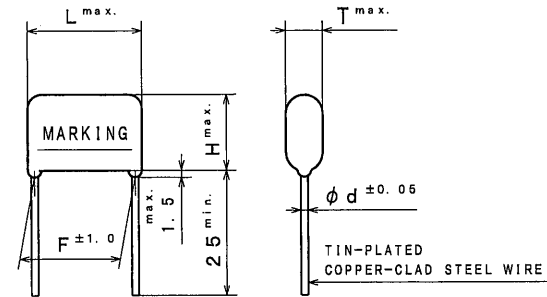


THIRD ANGLE PROJECTION

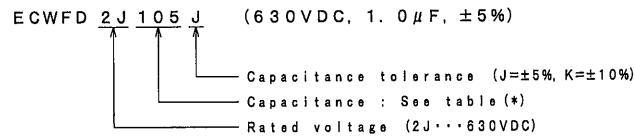
ITEM CODE	CAPACITANCE μF (*)	DIMENSIONS					VOLUME (mm ³)
		L	T	H	F	d	
ECWFD2J274 ()	0.27 (274)	17.8	6.0	11.0	15.0	0.8	1042
" 2J334 ()	0.33 (334)	"	6.6	11.5	"	"	1189
" 2J394 ()	0.39 (394)	"	7.1	12.0	"	"	1334
" 2J474 ()	0.47 (474)	"	7.8	12.7	"	"	1524
" 2J564 ()	0.56 (564)	"	8.4	13.3	"	"	1736
" 2J684 ()	0.68 (684)	"	9.3	14.2	"	"	2014
" 2J824 ()	0.82 (824)	"	10.2	15.1	"	"	2335
" 2J105 ()	1.0 (105)	25.3	8.4	13.5	22.5	"	2498
" 2J125 ()	1.2 (125)	"	9.2	14.3	"	"	2868
" 2J155 ()	1.5 (155)	"	10.3	15.5	"	"	3467
" 2J185 ()	1.8 (185)	"	11.2	16.5	"	"	4011
" 2J225 ()	2.2 (225)	"	12.4	17.7	"	"	4728
" 2J275 ()	2.7 (275)	"	13.8	19.2	"	"	5681
" 2J335 ()	3.3 (335)	"	15.3	20.7	"	"	6737
" 2J395 ()	3.9 (395)	"	16.6	22.1	"	"	7782
" 2J475 ()	4.7 (475)	"	18.3	23.9	"	"	9255



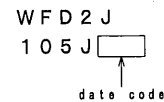
*F: regulation of the root

ALTERATION		
ISSUE	DESCRIPTION	DATE
SPECIFICATIONS No.		

ITEM CODE NUMBER STRUCTURE



MARKING EXAMPLE



PACKING QUANTITY

Capacitance range (μF)	Quantity (pcs.)
0.27 ~ 0.33	1600
0.39 ~ 0.47	1400
0.56 ~ 0.68	1200
0.82 ~ 1.2	1000
1.5 ~ 1.8	800
2.2	600
2.7	500
3.3 ~ 3.9	400
4.7	300

CONSTRUCTION

The capacitor is of non-inductive construction, wound with metallized polypropylene film dielectric.
The capacitor is enclosed in non-combustible epoxy resin and has two leads.

MARKING

Marking comprises capacitance, capacitance tolerance, rated voltage, type name "WFD" and manufacturer's date code.

PROPERTIES

- Capacitance : See table at 1kHz
- Capacitance tolerance : ±5% (J), ±10% (K) at 1kHz.
- Rated voltage : 630VDC (Derating of rated voltage by 1.0%/°C at more than 85°C)
- Withstand voltage : 630VDC×150% for 60s
- Insulation resistance : ≥9000Ω (C≤0.33μF) at 500VDC, 20°C for 60s
: ≥30000Ω·μF (C>0.33μF) at 500VDC, 20°C for 60s
- Dissipation factor : ≤0.1% at 1kHz, 20°C
- Category temperature range : From -40°C to +105°C (including temperature rise on unit surface)

QUANTITY of MINIMUM ORDER

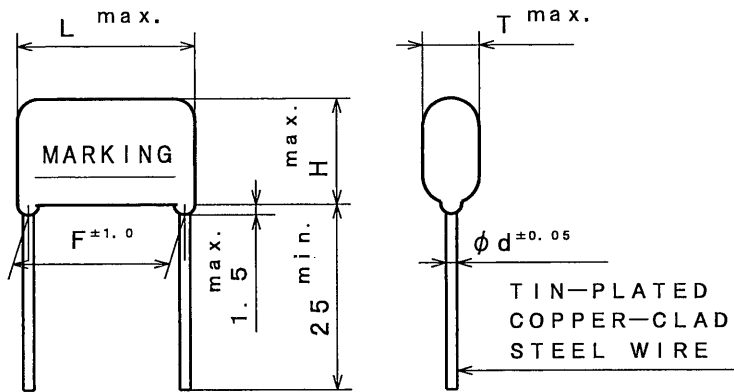
Capacitance range (μF)	Quantity (pcs.)
0.27 ~ 1.2	1000
1.5 ~ 1.8	800
2.2	600
2.7	500
3.3 ~ 3.9	400
4.7	300

Reference

DESIGN	<i>Shinichi Takahashi</i>
CHECKED	<i>Kenji Takumaru</i>
APPROVAL	<i>Masato Sano</i>
ESTABLISHMENT	Jan. 18 2017
TYPE NAME	ECWFD2J*** ()
NAME	Metallized Polypropylene Film Capacitor
DRAWING NAME	PRODUCT DRAWING
DRAWING No.	G001J-J-E (1/1)

Toyama-Matsue Plant
Device Solutions Business Division
Panasonic Corporation

THIRD ANGLE PROJECTION



·F: regulation of the root

PACKING QUANTITY

Capacitance range (μF)	Quantity (pcs.)
1.0	1000

QUANTITY of MINIMUM ORDER

Capacitance range (μF)	Quantity (pcs.)
1.0	1000

ALTERATION

ISSUE	DESCRIPTION	DATE

SPECIFICATIONS No.

(example)

WFD 2 J

105 J

date code

ITEM CODE	RATED VOLTAGE	CAP. (μF)	DIMENSIONS					VOLUME (mm ³)
			L	T	H	F	d	
ECWFD 2J105**	630VDC	1.0	17.8	11.2	16.1	15.0	0.8	2742

P1=±5% (J)
Q1=±10% (K)

CONSTRUCTION

The capacitor is of non-inductive construction, wound with metallized polypropylene film dielectric.

The capacitor is enclosed in non-combustible epoxy resin and has two leads.

MARKING

Marking comprises capacitance, capacitance tolerance, rated voltage and date code.

PROPERTIES

- *Capacitance : See table at 1kHz.
- *Capacitance tolerance : ±5% (J), ±10% (K) at 1kHz.
- *Rated voltage : 630VDC
(Derating of rated voltage by 1.0%/°C at more than 85°C)
- *Withstand voltage (terminal-terminal) : 630VDCx150% for 60s
- *Insulation resistance : ≥3,000MΩ·μF at 500VDC, 20°C for 60s
- *Dissipation factor : ≤0.1% at 1kHz, 20°C
- *Category temperature range : From -40°C to +105°C
(including temperature rise on unit surface)

DESIGN	<i>Kikuchi Fubushima</i>
CHECKED	<i>7/18/17 Reference</i>
APPROVAL	<i>M. Sumaga</i>
ESTABLISHMENT	Jan 18, 2017
TYPE NAME	ECWFD 2J***P1 ECWFD 2J***Q1
NAME	Metallized Polypropylene Film Capacitor
DRAWING NAME	PRODUCT DRAWING
DRAWING No.	G017J-J-E (1/1)

Toyama·Matsue Plant
Device Solutions Business Division
Panasonic Corporation