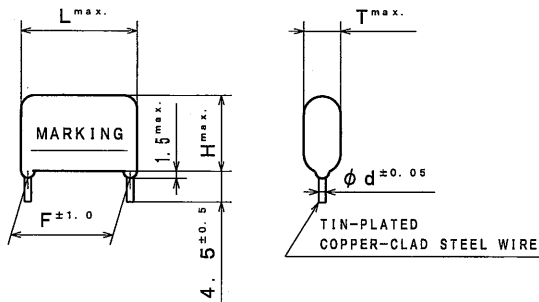


THIRD ANGLE PROJECTION

ITEM CODE	CAP. μF ( * )	DIMENSIONS					VOLUME (mm <sup>3</sup> )	MARKING STYLE	Note
		L	T	H	F	d			
ECWF2W564JAC	0.56 (564)	18.1	7.0	11.5	15.0	0.8	1204	1	
" 2W684JAC	0.68 (684)	"	7.5	12.1	"	"	1359	"	
" 2W824JAC	0.82 (824)	"	8.2	12.7	"	"	1536	"	
" 2W105JAC	1.0 (105)	"	9.3	12.6	"	"	1696	"	
" 2W125JAC	1.2 (125)	18.8	9.7	14.7	"	"	2180	2	*
" 2W155JAC	1.5 (155)	"	10.7	15.8	"	"	2566	"	*
" 2W185JAC	1.8 (185)	"	11.6	16.7	"	"	2945	"	*
" 2W225JAC	2.2 (225)	"	12.8	17.9	"	"	3444	"	*
" 2W275JAC	2.7 (275)	26.3	10.6	16.5	22.5	"	3815	"	*
" 2W335JAC	3.3 (335)	"	11.7	17.5	"	"	4426	"	*
" 2W395JAC	3.9 (395)	"	12.6	18.4	"	"	5027	"	*
" 2W475JAC	4.7 (475)	"	13.8	19.6	"	"	5815	"	*

Note

\*The specimen (the volume is more than 1750mm<sup>3</sup>) shall be satisfied with IEC60384-1 Inflammability Category B based on IEC60065, 1998~



\*F: regulation of the root

CONSTRUCTION

The capacitor is of non-inductive construction, wound with metallized polypropylene film dielectric.

The capacitor is enclosed in non-combustible epoxy resin and has two leads.

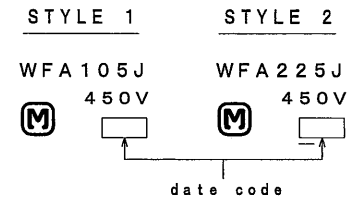
MARKING

Marking comprises capacitance, capacitance tolerance, rated voltage, manufacturer's trademark and date code.

PROPERTIES

- \*Capacitance : See table at 1kHz.
- \*Capacitance tolerance : ±5% (J) at 1kHz.
- \*Rated voltage : 450VDC  
(Derating of rated voltage by 1.25%/°C at more than 85°C)
- \*Withstand voltage (terminal-terminal) : 450VDC×150% for 60s
- \*Insulation resistance : ≥10000MΩ·μF at 100VDC, 20°C for 60s
- \*Dissipation factor : ≤0.1% at 1kHz, 20°C
- \*Category temperature range : From -40°C to +105°C  
(including temperature rise on unit surface)

MARKING EXAMPLE



ALTERATION		
ISSUE	DESCRIPTION	DATE
△	Company name changed	Apr. 1 2012
△	Company name changed	Apr. 1 2013
△	Company name changed	Apr. 1 2015
SPECIFICATIONS No.		

Reference

DESIGN	<i>M. Takato</i>
CHECKED	<i>M. Yamamoto</i>
APPROVAL	<i>Y. Takato</i>
ESTABLISHMENT	Sep. 16. 2010
TYPE NAME	ECWF2W***JAC
NAME	Metallized Polypropylene Film Capacitor
DRAWING NAME	PRODUCT DRAWING
DRAWING No.	0054J-J-E (1/1)

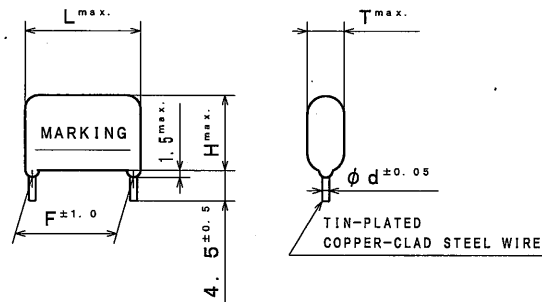
Toyama·Matsue Plant  
Device Solutions Business Division  
Panasonic Corporation

THIRD ANGLE PROJECTION

ITEM CODE	CAP. μF ( * )	DIMENSIONS					VOLUME (mm <sup>3</sup> )	MARKING STYLE	Note
		L	T	H	F	d			
ECWF2W564KAC	0.56 (564)	18.1	7.0	11.5	15.0	0.8	1204	1	
" 2W684KAC	0.68 (684)	"	7.5	12.1	"	"	1359	"	
" 2W824KAC	0.82 (824)	"	8.2	12.7	"	"	1536	"	
" 2W105KAC	1.0 (105)	"	9.3	12.6	"	"	1696	"	
" 2W125KAC	1.2 (125)	18.8	9.7	14.7	"	"	2180	2	*
" 2W155KAC	1.5 (155)	"	10.7	15.8	"	"	2566	"	*
" 2W185KAC	1.8 (185)	"	11.6	16.7	"	"	2945	"	*
" 2W225KAC	2.2 (225)	"	12.8	17.9	"	"	3444	"	*
" 2W275KAC	2.7 (275)	26.3	10.6	16.5	22.5	"	3815	"	*
" 2W335KAC	3.3 (335)	"	11.7	17.5	"	"	4426	"	*
" 2W395KAC	3.9 (395)	"	12.6	18.4	"	"	5027	"	*
" 2W475KAC	4.7 (475)	"	13.8	19.6	"	"	5815	"	*

Note

\*The specimen (the volume is more than 1750mm<sup>3</sup>) shall be satisfied with IEC60384-1 Inflammability Category B based on IEC60065, 1998~



\*F: regulation of the root

CONSTRUCTION

The capacitor is of non-inductive construction, wound with metallized polypropylene film dielectric.

The capacitor is enclosed in non-combustible epoxy resin and has two leads.

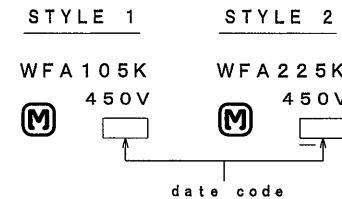
MARKING

Marking comprises capacitance, capacitance tolerance, rated voltage, manufacturer's trademark and date code.

PROPERTIES

- \*Capacitance : See table at 1kHz.
- \*Capacitance tolerance : ±10% (K) at 1kHz.
- \*Rated voltage : 450VDC  
(Derating of rated voltage by 1.25%/°C at more than 85°C)
- \*Withstand voltage (terminal-terminal) : 450VDC×150% for 60s
- \*Insulation resistance : ≥10000Ω·μF at 100VDC, 20°C for 60s
- \*Dissipation factor : ≤0.1% at 1kHz, 20°C
- \*Category temperature range : From -40°C to +105°C  
(including temperature rise on unit surface)

MARKING EXAMPLE



ALTERATION		
ISSUE	DESCRIPTION	DATE
△	Company name changed	Apr. 1 2012
△	Company name changed	Apr. 1 2013
△	Company name changed	Apr. 1 2015
SPECIFICATIONS No.		

Reference

DESIGN	<i>M. Yamamoto</i>
CHECKED	<i>M. Yamamoto</i>
APPROVAL	<i>T. Takata</i>
ESTABLISHMENT	Sep. 16, 2010
TYPE NAME	ECWF2W***KAC
NAME	Metallized Polypropylene Film Capacitor
DRAWING NAME	PRODUCT DRAWING
DRAWING No.	0053J-J-E (1/1)

Toyama·Matsue Plant  
Device Solutions Business Division  
Panasonic Corporation