

| ITEM CODE    | CAP.<br>μF ( * ) | DIMENSIONS |      |      |      |     | VOLUME<br>(mm <sup>3</sup> ) | MARKING<br>STYLE | Note |
|--------------|------------------|------------|------|------|------|-----|------------------------------|------------------|------|
|              |                  | L          | T    | H    | S    | d   |                              |                  |      |
| ECWF2W104JAB | 0.1 (104)        | 13.0       | 5.1  | 9.3  | 7.5  | 0.6 | 503                          | 1                |      |
| " 2W124JAB   | 0.12 (124)       | "          | 5.4  | 9.5  | "    | "   | 541                          | "                |      |
| " 2W154JAB   | 0.15 (154)       | "          | 5.7  | 9.9  | "    | "   | 597                          | "                |      |
| " 2W184JAB   | 0.18 (184)       | "          | 6.1  | 10.2 | "    | "   | 652                          | "                |      |
| " 2W224JAB   | 0.22 (224)       | "          | 6.5  | 10.6 | "    | "   | 720                          | "                |      |
| " 2W274JAB   | 0.27 (274)       | "          | 7.0  | 11.1 | "    | "   | 808                          | "                |      |
| " 2W334JAB   | 0.33 (334)       | "          | 7.6  | 11.7 | "    | "   | 911                          | "                |      |
| " 2W394JAB   | 0.39 (394)       | "          | 8.1  | 12.2 | "    | "   | 1014                         | "                |      |
| " 2W474JAB   | 0.47 (474)       | "          | 8.7  | 12.9 | "    | "   | 1148                         | "                |      |
| " 2W564JAB   | 0.56 (564)       | 18.1       | 7.0  | 11.5 | "    | 0.8 | 1204                         | 2                |      |
| " 2W684JAB   | 0.68 (684)       | "          | 7.5  | 12.1 | "    | "   | 1359                         | "                |      |
| " 2W824JAB   | 0.82 (824)       | "          | 8.2  | 12.7 | "    | "   | 1536                         | "                |      |
| " 2W105JAB   | 1.0 (105)        | "          | 9.3  | 12.6 | "    | "   | 1696                         | "                |      |
| " 2W125JAB   | 1.2 (125)        | 18.8       | 9.7  | 14.7 | "    | "   | 2180                         | 3                | *    |
| " 2W155JAB   | 1.5 (155)        | "          | 10.7 | 15.8 | "    | "   | 2566                         | "                | *    |
| " 2W185JAB   | 1.8 (185)        | "          | 11.6 | 16.7 | "    | "   | 2945                         | "                | *    |
| " 2W225JAB   | 2.2 (225)        | "          | 12.8 | 17.9 | "    | "   | 3444                         | "                | *    |
| " 2W275JAB   | 2.7 (275)        | 26.3       | 10.6 | 16.5 | 15.0 | "   | 3815                         | "                | *    |
| " 2W335JAB   | 3.3 (335)        | "          | 11.7 | 17.5 | "    | "   | 4426                         | "                | *    |
| " 2W395JAB   | 3.9 (395)        | "          | 12.6 | 18.4 | "    | "   | 5027                         | "                | *    |
| " 2W475JAB   | 4.7 (475)        | "          | 13.8 | 19.6 | "    | "   | 5815                         | "                | *    |

Note

\*The specimen (the volume is more than 1750mm<sup>3</sup>) shall be satisfied with IEC60384-1 Inflammability Category B based on IEC60065, 1998~

CONSTRUCTION

The capacitor is of non-inductive construction, wound with metallized polypropylene film dielectric.

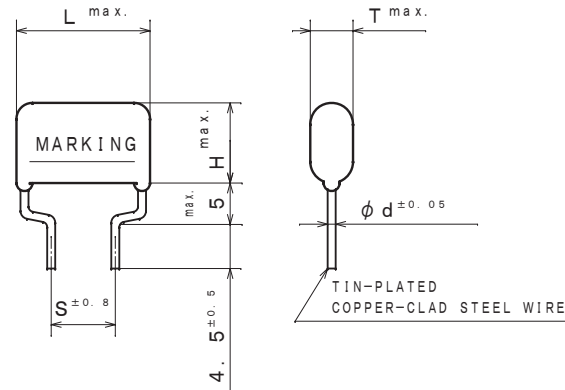
The capacitor is enclosed in non-combustible epoxy resin and has two leads.

MARKING

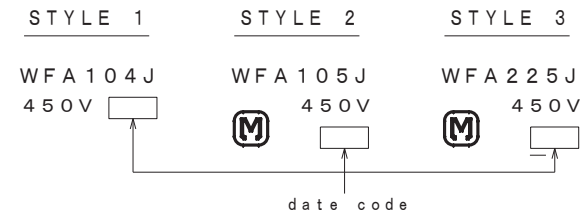
Marking comprises capacitance, capacitance tolerance, rated voltage, manufacturer's trademark (STYLE 2, 3) and date code.

PROPERTIES

- \*Capacitance :See table at 1kHz.
- \*Capacitance tolerance :±5% (J) at 1kHz.
- \*Rated voltage :450VDC  
(Derating of rated voltage by 1.25%/°C at more than 85°C)
- \*Withstand voltage (terminal-terminal) :450VDC×150% for 60s
- \*Insulation resistance :≥30000MΩ (C≤0.33μF) at 100VDC, 20°C for 60s  
:≥10000MΩ·μF (C>0.33μF) at 100VDC, 20°C for 60s
- \*Dissipation factor :≤0.1% at 1kHz, 20°C
- \*Category temperature range :From -40°C to +105°C  
(including temperature rise on unit surface)



MARKING EXAMPLE



ALTERATION

| ISSUE | DESCRIPTION          | DATE        |
|-------|----------------------|-------------|
| △     | Company name changed | Apr. 1 2012 |
| △     | Company name changed | Apr. 1 2013 |
| △     | Company name changed | Apr. 1 2015 |
| △     | Company name changed | Apr. 1 2022 |

SPECIFICATIONS No.

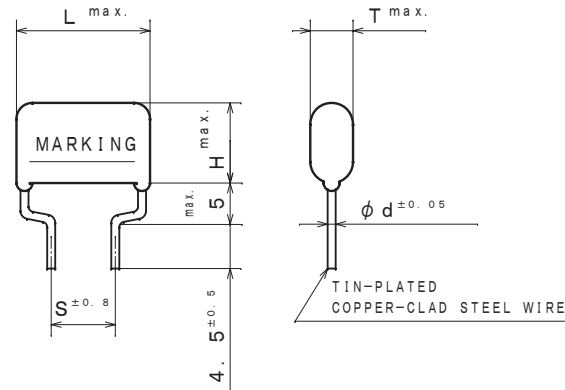
|  |              |
|--|--------------|
| DESIGN                                       | M. MEKADA    |
| CHECKED                                      | H. YAMAMOTO  |
| APPROVAL                                     | T. KATO      |
| ESTABLISHMENT                                | Aug. 3, 2009 |
| TYPE NAME                                    |              |
| ECWF2W***JAB                                 |              |
| NAME Metallized Polypropylene Film Capacitor |              |
| DRAWING NAME                                 |              |
| PRODUCT DRAWING                              |              |
| DRAWING No.                                  |              |
| 8047J-J-E (1/1)                              |              |

Film Capacitor Business Unit  
Device Solutions Business Division  
Panasonic Industry Co., Ltd.

| ITEM CODE    | CAP.<br>μF ( * ) | DIMENSIONS |      |      |      |     |      | VOLUME<br>(mm <sup>3</sup> ) | MARKING<br>S T Y L E | Note |
|--------------|------------------|------------|------|------|------|-----|------|------------------------------|----------------------|------|
|              |                  | L          | T    | H    | S    | d   |      |                              |                      |      |
| ECWF2W104KAB | 0.1 (104)        | 13.0       | 5.1  | 9.3  | 7.5  | 0.6 | 503  | 1                            |                      |      |
| " 2W124KAB   | 0.12 (124)       | "          | 5.4  | 9.5  | "    | "   | 541  | "                            |                      |      |
| " 2W154KAB   | 0.15 (154)       | "          | 5.7  | 9.9  | "    | "   | 597  | "                            |                      |      |
| " 2W184KAB   | 0.18 (184)       | "          | 6.1  | 10.2 | "    | "   | 652  | "                            |                      |      |
| " 2W224KAB   | 0.22 (224)       | "          | 6.5  | 10.6 | "    | "   | 720  | "                            |                      |      |
| " 2W274KAB   | 0.27 (274)       | "          | 7.0  | 11.1 | "    | "   | 808  | "                            |                      |      |
| " 2W334KAB   | 0.33 (334)       | "          | 7.6  | 11.7 | "    | "   | 911  | "                            |                      |      |
| " 2W394KAB   | 0.39 (394)       | "          | 8.1  | 12.2 | "    | "   | 1014 | "                            |                      |      |
| " 2W474KAB   | 0.47 (474)       | "          | 8.7  | 12.9 | "    | "   | 1148 | "                            |                      |      |
| " 2W564KAB   | 0.56 (564)       | 18.1       | 7.0  | 11.5 | "    | 0.8 | 1204 | 2                            |                      |      |
| " 2W684KAB   | 0.68 (684)       | "          | 7.5  | 12.1 | "    | "   | 1359 | "                            |                      |      |
| " 2W824KAB   | 0.82 (824)       | "          | 8.2  | 12.7 | "    | "   | 1536 | "                            |                      |      |
| " 2W105KAB   | 1.0 (105)        | "          | 9.3  | 12.6 | "    | "   | 1696 | "                            |                      |      |
| " 2W125KAB   | 1.2 (125)        | 18.8       | 9.7  | 14.7 | "    | "   | 2180 | 3                            | *                    |      |
| " 2W155KAB   | 1.5 (155)        | "          | 10.7 | 15.8 | "    | "   | 2566 | "                            | *                    |      |
| " 2W185KAB   | 1.8 (185)        | "          | 11.6 | 16.7 | "    | "   | 2945 | "                            | *                    |      |
| " 2W225KAB   | 2.2 (225)        | "          | 12.8 | 17.9 | "    | "   | 3444 | "                            | *                    |      |
| " 2W275KAB   | 2.7 (275)        | 26.3       | 10.6 | 16.5 | 15.0 | "   | 3815 | "                            | *                    |      |
| " 2W335KAB   | 3.3 (335)        | "          | 11.7 | 17.5 | "    | "   | 4426 | "                            | *                    |      |
| " 2W395KAB   | 3.9 (395)        | "          | 12.6 | 18.4 | "    | "   | 5027 | "                            | *                    |      |
| " 2W475KAB   | 4.7 (475)        | "          | 13.8 | 19.6 | "    | "   | 5815 | "                            | *                    |      |

Note

\*The specimen (the volume is more than 1750mm<sup>3</sup>) shall be satisfied with IEC60384-1 Inflammability Category B based on IEC60065, 1998~



CONSTRUCTION

The capacitor is of non-inductive construction, wound with metallized polypropylene film dielectric.  
The capacitor is enclosed in non-combustible epoxy resin and has two leads.

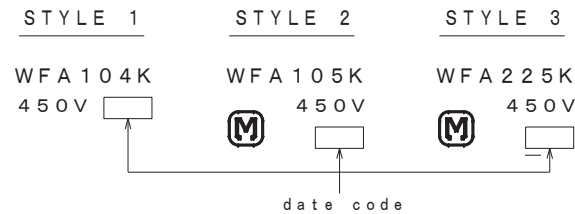
MARKING

Marking comprises capacitance, capacitance tolerance, rated voltage, manufacturer's trademark (STYLE 2, 3) and date code.

PROPERTIES

- \*Capacitance : See table at 1kHz.
- \*Capacitance tolerance : ±10% (K) at 1kHz.
- \*Rated voltage : 450VDC  
(Derating of rated voltage by 1.25%/°C at more than 85°C)
- \*Withstand voltage (terminal-terminal) : 450VDC×150% for 60s
- \*Insulation resistance : ≥30000MΩ (C≤0.33μF) at 100VDC, 20°C for 60s  
: ≥10000MΩ·μF (C>0.33μF) at 100VDC, 20°C for 60s
- \*Dissipation factor : ≤0.1% at 1kHz, 20°C
- \*Category temperature range : From -40°C to +105°C  
(including temperature rise on unit surface)

MARKING EXAMPLE



ALTERATION

| ISSUE | DESCRIPTION          | DATE        |
|-------|----------------------|-------------|
| △     | Company name changed | Apr. 1 2012 |
| △     | Company name changed | Apr. 1 2013 |
| △     | Company name changed | Apr. 1 2015 |
| △     | Company name changed | Apr. 1 2022 |

SPECIFICATIONS No.

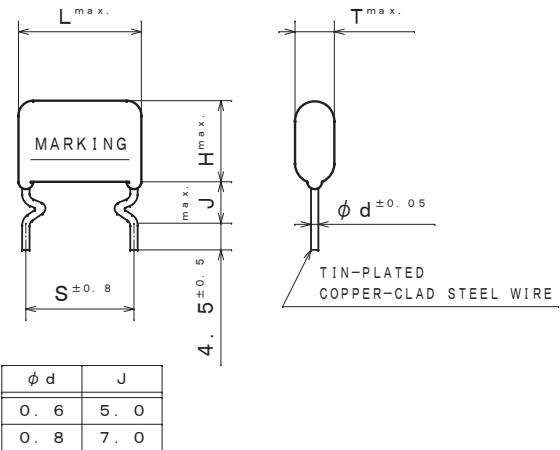
|  |              |
|--|--------------|
| DESIGN                                       | M. MEKADA    |
| CHECKED                                      | H. YAMADA    |
| APPROVAL                                     | T. KATO      |
| ESTABLISHMENT                                | Aug. 3, 2009 |
| TYPE NAME                                    |              |
| ECWF2W***KAB                                 |              |
| NAME Metallized Polypropylene Film Capacitor |              |
| DRAWING NAME                                 |              |
| PRODUCT DRAWING                              |              |
| DRAWING No.                                  |              |
| 8046J-J-E (1/1)                              |              |

Film Capacitor Business Unit  
Device Solutions Business Division  
Panasonic Industry Co., Ltd.

| ITEM CODE    | CAP.<br>μF ( * ) | DIMENSIONS |      |      |      |     | VOLUME<br>(mm <sup>3</sup> ) | MARKING<br>S T Y L E | Note |
|--------------|------------------|------------|------|------|------|-----|------------------------------|----------------------|------|
|              |                  | L          | T    | H    | S    | d   |                              |                      |      |
| ECWF2W104JAQ | 0.1 (104)        | 13.0       | 5.1  | 9.3  | 10.0 | 0.6 | 503                          | 1                    |      |
| " 2W124JAQ   | 0.12 (124)       | "          | 5.4  | 9.5  | "    | "   | 541                          | "                    |      |
| " 2W154JAQ   | 0.15 (154)       | "          | 5.7  | 9.9  | "    | "   | 597                          | "                    |      |
| " 2W184JAQ   | 0.18 (184)       | "          | 6.1  | 10.2 | "    | "   | 652                          | "                    |      |
| " 2W224JAQ   | 0.22 (224)       | "          | 6.5  | 10.6 | "    | "   | 720                          | "                    |      |
| " 2W274JAQ   | 0.27 (274)       | "          | 7.0  | 11.1 | "    | "   | 808                          | "                    |      |
| " 2W334JAQ   | 0.33 (334)       | "          | 7.6  | 11.7 | "    | "   | 911                          | "                    |      |
| " 2W394JAQ   | 0.39 (394)       | "          | 8.1  | 12.2 | "    | "   | 1014                         | "                    |      |
| " 2W474JAQ   | 0.47 (474)       | "          | 8.7  | 12.9 | "    | "   | 1148                         | "                    |      |
| " 2W564JAQ   | 0.56 (564)       | 18.1       | 7.0  | 11.5 | 15.0 | 0.8 | 1204                         | 2                    |      |
| " 2W684JAQ   | 0.68 (684)       | "          | 7.5  | 12.1 | "    | "   | 1359                         | "                    |      |
| " 2W824JAQ   | 0.82 (824)       | "          | 8.2  | 12.7 | "    | "   | 1536                         | "                    |      |
| " 2W105JAQ   | 1.0 (105)        | "          | 9.3  | 12.6 | "    | "   | 1696                         | "                    |      |
| " 2W125JAQ   | 1.2 (125)        | 18.8       | 9.7  | 14.7 | "    | "   | 2180                         | 3                    | *    |
| " 2W155JAQ   | 1.5 (155)        | "          | 10.7 | 15.8 | "    | "   | 2566                         | "                    | *    |
| " 2W185JAQ   | 1.8 (185)        | "          | 11.6 | 16.7 | "    | "   | 2945                         | "                    | *    |
| " 2W225JAQ   | 2.2 (225)        | "          | 12.8 | 17.9 | "    | "   | 3444                         | "                    | *    |
| " 2W275JAQ   | 2.7 (275)        | 26.3       | 10.6 | 16.5 | 22.5 | "   | 3815                         | "                    | *    |
| " 2W335JAQ   | 3.3 (335)        | "          | 11.7 | 17.5 | "    | "   | 4426                         | "                    | *    |
| " 2W395JAQ   | 3.9 (395)        | "          | 12.6 | 18.4 | "    | "   | 5027                         | "                    | *    |
| " 2W475JAQ   | 4.7 (475)        | "          | 13.8 | 19.6 | "    | "   | 5815                         | "                    | *    |

Note

\*The specimen (the volume is more than 1750mm<sup>3</sup>) shall be satisfied with IEC60384-1 Inflammability Category B based on IEC60065, 1998~



CONSTRUCTION

The capacitor is of non-inductive construction, wound with metallized polypropylene film dielectric.

The capacitor is enclosed in non-combustible epoxy resin and has two leads.

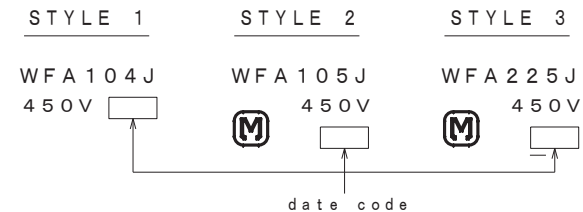
MARKING

Marking comprises capacitance, capacitance tolerance, rated voltage, manufacturer's trademark (STYLE 2, 3) and date code.

PROPERTIES

- \*Capacitance : See table at 1kHz.
- \*Capacitance tolerance : ±5% (J) at 1kHz.
- \*Rated voltage : 450VDC  
(Derating of rated voltage by 1.25%/°C at more than 85°C)
- \*Withstand voltage (terminal-terminal) : 450VDC×150% for 60s
- \*Insulation resistance : ≥30000MΩ (C≤0.33μF) at 100VDC, 20°C for 60s  
: ≥10000MΩ·μF (C>0.33μF) at 100VDC, 20°C for 60s
- \*Dissipation factor : ≤0.1% at 1kHz, 20°C
- \*Category temperature range : From -40°C to +105°C  
(including temperature rise on unit surface)

MARKING EXAMPLE



| ALTERATION         |                      |             |
|--------------------|----------------------|-------------|
| ISSUE              | DESCRIPTION          | DATE        |
| △                  | Company name changed | Apr. 1 2012 |
| △                  | Company name changed | Apr. 1 2013 |
| △                  | Company name changed | Apr. 1 2015 |
| △                  | Company name changed | Apr. 1 2022 |
| SPECIFICATIONS No. |                      |             |

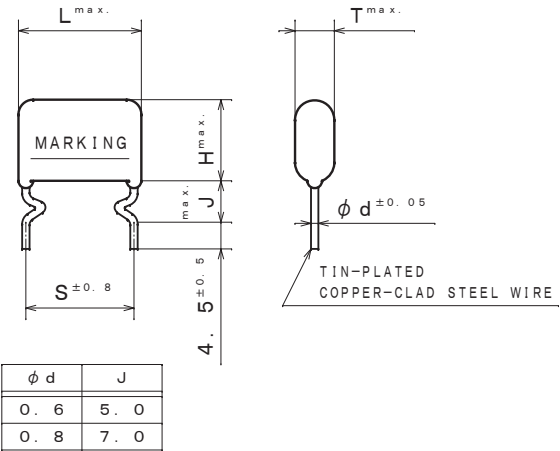
|  |              |
|--|--------------|
| DESIGN                                       | M. MEKADA    |
| CHECKED                                      | H. YAMAMOTO  |
| APPROVAL                                     | T. KATO      |
| ESTABLISHMENT                                | May. 8, 2008 |
| TYPE NAME                                    |              |
| ECWF2W***JAQ                                 |              |
| NAME Metallized Polypropylene Film Capacitor |              |
| DRAWING NAME                                 |              |
| PRODUCT DRAWING                              |              |
| DRAWING No.                                  |              |
| 8003J-J-E (1/1)                              |              |

Film Capacitor Business Unit  
Device Solutions Business Division  
Panasonic Industry Co., Ltd.

| ITEM CODE    | CAP.<br>μF ( * ) | DIMENSIONS |      |      |      |     | VOLUME<br>(mm <sup>3</sup> ) | MARKING<br>S T Y L E | Note |
|--------------|------------------|------------|------|------|------|-----|------------------------------|----------------------|------|
|              |                  | L          | T    | H    | S    | d   |                              |                      |      |
| ECWF2W104KAQ | 0.1 (104)        | 13.0       | 5.1  | 9.3  | 10.0 | 0.6 | 503                          | 1                    |      |
| " 2W124KAQ   | 0.12 (124)       | "          | 5.4  | 9.5  | "    | "   | 541                          | "                    |      |
| " 2W154KAQ   | 0.15 (154)       | "          | 5.7  | 9.9  | "    | "   | 597                          | "                    |      |
| " 2W184KAQ   | 0.18 (184)       | "          | 6.1  | 10.2 | "    | "   | 652                          | "                    |      |
| " 2W224KAQ   | 0.22 (224)       | "          | 6.5  | 10.6 | "    | "   | 720                          | "                    |      |
| " 2W274KAQ   | 0.27 (274)       | "          | 7.0  | 11.1 | "    | "   | 808                          | "                    |      |
| " 2W334KAQ   | 0.33 (334)       | "          | 7.6  | 11.7 | "    | "   | 911                          | "                    |      |
| " 2W394KAQ   | 0.39 (394)       | "          | 8.1  | 12.2 | "    | "   | 1014                         | "                    |      |
| " 2W474KAQ   | 0.47 (474)       | "          | 8.7  | 12.9 | "    | "   | 1148                         | "                    |      |
| " 2W564KAQ   | 0.56 (564)       | 18.1       | 7.0  | 11.5 | 15.0 | 0.8 | 1204                         | 2                    |      |
| " 2W684KAQ   | 0.68 (684)       | "          | 7.5  | 12.1 | "    | "   | 1359                         | "                    |      |
| " 2W824KAQ   | 0.82 (824)       | "          | 8.2  | 12.7 | "    | "   | 1536                         | "                    |      |
| " 2W105KAQ   | 1.0 (105)        | "          | 9.3  | 12.6 | "    | "   | 1696                         | "                    |      |
| " 2W125KAQ   | 1.2 (125)        | 18.8       | 9.7  | 14.7 | "    | "   | 2180                         | 3                    | *    |
| " 2W155KAQ   | 1.5 (155)        | "          | 10.7 | 15.8 | "    | "   | 2566                         | "                    | *    |
| " 2W185KAQ   | 1.8 (185)        | "          | 11.6 | 16.7 | "    | "   | 2945                         | "                    | *    |
| " 2W225KAQ   | 2.2 (225)        | "          | 12.8 | 17.9 | "    | "   | 3444                         | "                    | *    |
| " 2W275KAQ   | 2.7 (275)        | 26.3       | 10.6 | 16.5 | 22.5 | "   | 3815                         | "                    | *    |
| " 2W335KAQ   | 3.3 (335)        | "          | 11.7 | 17.5 | "    | "   | 4426                         | "                    | *    |
| " 2W395KAQ   | 3.9 (395)        | "          | 12.6 | 18.4 | "    | "   | 5027                         | "                    | *    |
| " 2W475KAQ   | 4.7 (475)        | "          | 13.8 | 19.6 | "    | "   | 5815                         | "                    | *    |

Note

\*The specimen (the volume is more than 1750mm<sup>3</sup>) shall be satisfied with IEC60384-1 Inflammability Category B based on IEC60065, 1998~



CONSTRUCTION

The capacitor is of non-inductive construction, wound with metallized polypropylene film dielectric.

The capacitor is enclosed in non-combustible epoxy resin and has two leads.

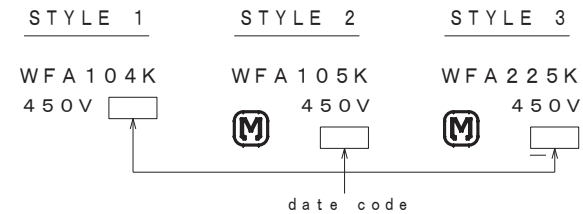
MARKING

Marking comprises capacitance, capacitance tolerance, rated voltage, manufacturer's trademark (STYLE 2, 3) and date code.

PROPERTIES

- \*Capacitance : See table at 1kHz.
- \*Capacitance tolerance : ±10% (K) at 1kHz.
- \*Rated voltage : 450VDC  
(Derating of rated voltage by 1.25%/°C at more than 85°C)
- \*Withstand voltage (terminal-terminal) : 450VDC×150% for 60s
- \*Insulation resistance : ≥30000MΩ (C≤0.33μF) at 100VDC, 20°C for 60s  
: ≥10000MΩ·μF (C>0.33μF) at 100VDC, 20°C for 60s
- \*Dissipation factor : ≤0.1% at 1kHz, 20°C
- \*Category temperature range : From -40°C to +105°C  
(including temperature rise on unit surface)

MARKING EXAMPLE



| ALTERATION         |                      |             |
|--------------------|----------------------|-------------|
| ISSUE              | DESCRIPTION          | DATE        |
| △                  | Company name changed | Apr. 1 2012 |
| △                  | Company name changed | Apr. 1 2013 |
| △                  | Company name changed | Apr. 1 2015 |
| △                  | Company name changed | Apr. 1 2022 |
| SPECIFICATIONS No. |                      |             |

|  |              |
|--|--------------|
| DESIGN                                       | M. MEKADA    |
| CHECKED                                      | H. YAMAMOTO  |
| APPROVAL                                     | T. KATO      |
| ESTABLISHMENT                                | May. 8, 2008 |
| TYPE NAME                                    |              |
| ECWF2W***KAQ                                 |              |
| NAME Metallized Polypropylene Film Capacitor |              |
| DRAWING NAME                                 |              |
| PRODUCT DRAWING                              |              |
| DRAWING No.                                  |              |
| 8004J-J-E (1/1)                              |              |

Film Capacitor Business Unit  
Device Solutions Business Division  
Panasonic Industry Co., Ltd.