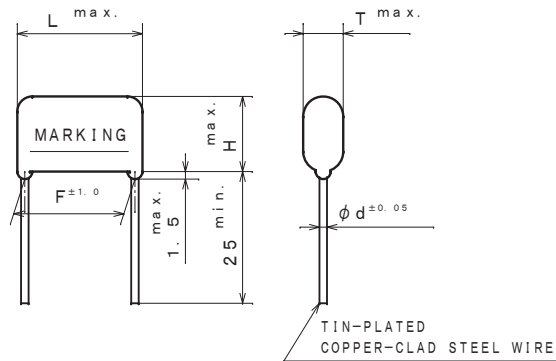


ITEM CODE	CAP. μF (*)	DIMENSIONS					VOLUME (mm ³)	MARKING S T Y L E	Note
		L	T	H	F	d			
ECWF2W564JA	0.56 (564)	18.1	7.0	11.5	15.0	0.8	1204	1	
" 2W684JA	0.68 (684)	"	7.5	12.1	"	"	1359	"	
" 2W824JA	0.82 (824)	"	8.2	12.7	"	"	1536	"	
" 2W105JA	1.0 (105)	"	9.3	12.6	"	"	1696	"	
" 2W125JA	1.2 (125)	18.8	9.7	14.7	"	"	2180	2	*
" 2W155JA	1.5 (155)	"	10.7	15.8	"	"	2566	"	*
" 2W185JA	1.8 (185)	"	11.6	16.7	"	"	2945	"	*
" 2W225JA	2.2 (225)	"	12.8	17.9	"	"	3444	"	*
" 2W275JA	2.7 (275)	26.3	10.6	16.5	22.5	"	3815	"	*
" 2W335JA	3.3 (335)	"	11.7	17.5	"	"	4426	"	*
" 2W395JA	3.9 (395)	"	12.6	18.4	"	"	5027	"	*
" 2W475JA	4.7 (475)	"	13.8	19.6	"	"	5815	"	*

Note

*The specimen (the volume is more than 1750mm³) shall be satisfied with IEC60384-1 Inflammability Category B based on IEC60065, 1998~



·F: regulation of the root

CONSTRUCTION

The capacitor is of non-inductive construction, wound with metallized polypropylene film dielectric.

The capacitor is enclosed in non-combustible epoxy resin and has two leads.

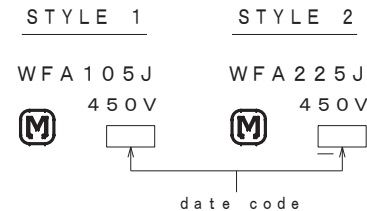
MARKING

Marking comprises capacitance, capacitance tolerance, rated voltage, manufacturer's trademark and date code.

PROPERTIES

- *Capacitance : See table at 1kHz.
- *Capacitance tolerance : ±5% (J) at 1kHz.
- *Rated voltage : 450VDC
(Derating of rated voltage by 1.25%/°C at more than 85°C)
- *Withstand voltage (terminal-terminal) : 450VDC×150% for 60s
- *Insulation resistance : ≥10000MΩ·μF at 100VDC, 20°C for 60s
- *Dissipation factor : ≤0.1% at 1kHz, 20°C
- *Category temperature range : From -40°C to +105°C
(including temperature rise on unit surface)

MARKING EXAMPLE



ALTERATION

ISSUE	DESCRIPTION	DATE
△	Company name changed	Apr. 1 2012
△	Company name changed	Apr. 1 2013
△	Company name changed	Apr. 1 2015
△	Company name changed	Apr. 1 2022

SPECIFICATIONS No.

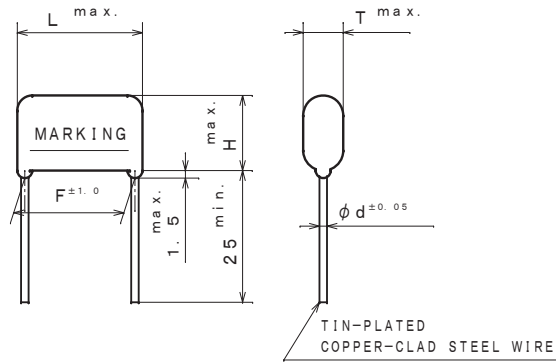
DESIGN	M. MEKADA
CHECKED	H. YAMADA
APPROVAL	T. KATO
ESTABLISHMENT	May. 8. 2008
TYPE NAME ECWF2W***JA	
NAME Metallized Polypropylene Film Capacitor	
DRAWING NAME PRODUCT DRAWING	
DRAWING No. 8001J-J-E (1/1)	

Film Capacitor Business Unit
Device Solutions Business Division
Panasonic Industry Co., Ltd.

ITEM CODE	CAP. μF (*)	DIMENSIONS					VOLUME (mm ³)	MARKING S T Y L E	Note
		L	T	H	F	d			
ECWF2W564KA	0.56 (564)	18.1	7.0	11.5	15.0	0.8	1204	1	
" 2W684KA	0.68 (684)	"	7.5	12.1	"	"	1359	"	
" 2W824KA	0.82 (824)	"	8.2	12.7	"	"	1536	"	
" 2W105KA	1.0 (105)	"	9.3	12.6	"	"	1696	"	
" 2W125KA	1.2 (125)	18.8	9.7	14.7	"	"	2180	2	*
" 2W155KA	1.5 (155)	"	10.7	15.8	"	"	2566	"	*
" 2W185KA	1.8 (185)	"	11.6	16.7	"	"	2945	"	*
" 2W225KA	2.2 (225)	"	12.8	17.9	"	"	3444	"	*
" 2W275KA	2.7 (275)	26.3	10.6	16.5	22.5	"	3815	"	*
" 2W335KA	3.3 (335)	"	11.7	17.5	"	"	4426	"	*
" 2W395KA	3.9 (395)	"	12.6	18.4	"	"	5027	"	*
" 2W475KA	4.7 (475)	"	13.8	19.6	"	"	5815	"	*

Note

*The specimen (the volume is more than 1750mm³) shall be satisfied with IEC60384-1 Inflammability Category B based on IEC60065, 1998~



·F: regulation of the root

CONSTRUCTION

The capacitor is of non-inductive construction, wound with metallized polypropylene film dielectric.

The capacitor is enclosed in non-combustible epoxy resin and has two leads.

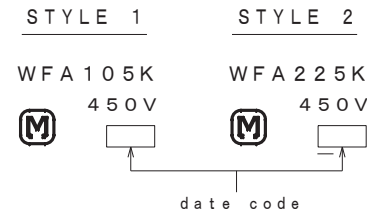
MARKING

Marking comprises capacitance, capacitance tolerance, rated voltage, manufacturer's trademark and date code.

PROPERTIES

- *Capacitance : See table at 1kHz.
- *Capacitance tolerance : ±10% (K) at 1kHz.
- *Rated voltage : 450VDC
(Derating of rated voltage by 1.25%/°C at more than 85°C)
- *Withstand voltage (terminal-terminal) : 450VDC×150% for 60s
- *Insulation resistance : ≥10000MΩ·μF at 100VDC, 20°C for 60s
- *Dissipation factor : ≤0.1% at 1kHz, 20°C
- *Category temperature range : From -40°C to +105°C
(including temperature rise on unit surface)

MARKING EXAMPLE



ALTERATION

ISSUE	DESCRIPTION	DATE
△	Company name changed	Apr. 1 2012
△	Company name changed	Apr. 1 2013
△	Company name changed	Apr. 1 2015
△	Company name changed	Apr. 1 2022

SPECIFICATIONS No.

DESIGN	M. MEKADA
CHECKED	H. YAMADA
APPROVAL	T. KATO
ESTABLISHMENT	May. 8. 2008
TYPE NAME ECWF2W***KA	
NAME Metallized Polypropylene Film Capacitor	
DRAWING NAME PRODUCT DRAWING	
DRAWING No. 8002J-J-E (1/1)	

Film Capacitor Business Unit
Device Solutions Business Division
Panasonic Industry Co., Ltd.