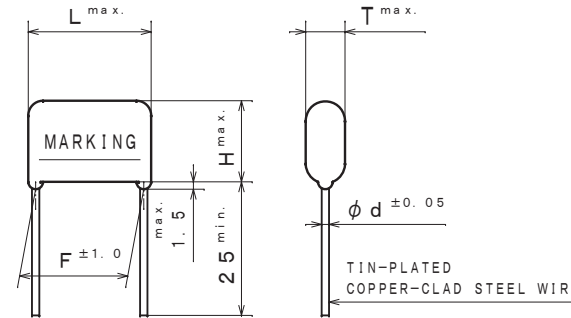


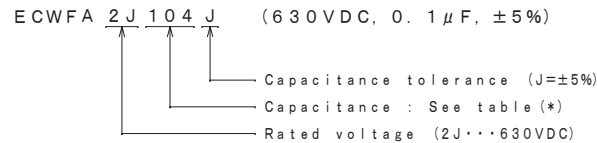
ITEM CODE	CAPACITANCE μF (*)	DIMENSIONS					VOLUME (mm ³)
		L	T	H	F	d	
ECWFA2J104J	0.1 (104)	18.2	5.2	10.4	15.0	0.6	835
" 2J124J	0.12 (124)	"	5.5	10.8	"	"	918
" 2J154J	0.15 (154)	"	6.0	11.2	"	"	1039
" 2J184J	0.18 (184)	"	6.5	11.7	"	"	1159
" 2J224J	0.22 (224)	"	7.1	12.3	"	"	1315
" 2J274J	0.27 (274)	"	7.8	12.9	"	"	1507
" 2J334J	0.33 (334)	"	8.5	13.6	"	"	1732
" 2J394J	0.39 (394)	"	9.2	14.3	"	"	1955
" 2J474J	0.47 (474)	"	10.0	15.1	"	"	2246
" 2J564J	0.56 (564)	"	10.9	16.0	"	"	2574
" 2J684J	0.68 (684)	"	12.0	17.1	"	"	3001
" 2J824J	0.82 (824)	26.0	10.1	15.3	22.5	0.8	3301
" 2J105J	1.0 (105)	"	11.1	16.2	"	"	3835
" 2J125J	1.2 (125)	"	12.1	17.2	"	"	4419
" 2J155J	1.5 (155)	"	13.5	18.6	"	"	5282
" 2J185J	1.8 (185)	"	14.8	19.8	"	"	6133
" 2J225J	2.2 (225)	"	16.3	21.4	"	"	7254



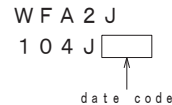
ALTERATION		
ISSUE	DESCRIPTION	DATE
△	Company name changed	Apr. 1 2012
△	Correction	Apr. 1 2013
△	Company name changed	Apr. 1 2015
△	Company name changed	Apr. 1 2022

SPECIFICATIONS No.

ITEM CODE NUMBER STRUCTURE



MARKING EXAMPLE



PACKING QUANTITY

Capacitance range (μF)	Quantity (pcs.)
0.1	2600
0.12 ~ 0.18	2000
0.22 ~ 0.27	1600
0.33 ~ 0.39	1200
0.47 ~ 0.56	1000
0.68 ~ 0.82	800
1.0 ~ 1.5	600
1.8	500
2.2	400

CONSTRUCTION

The capacitor is of non-inductive construction, wound with metallized polypropylene film dielectric.
 The capacitor is enclosed in non-combustible epoxy resin and has two leads.

MARKING

Marking comprises capacitance, capacitance tolerance, rated voltage, type name "WFA" and manufacturer's date code.

PROPERTIES

Capacitance : See table at 1kHz
 Capacitance tolerance : ±5% (J)
 Rated voltage : 630VDC (Derating of rated voltage by 1.0%/°C at more than 85°C)
 Withstand voltage : 630VDC×150% for 60s
 Insulation resistance : ≥9000MΩ (C≤0.33μF) at 500VDC, 20°C for 60s
 : ≥3000MΩ·μF (C>0.33μF) at 500VDC, 20°C for 60s
 Dissipation factor : ≤0.1% at 1kHz, 20°C
 Category temperature range : From -40°C to +105°C (including temperature rise on unit surface)

QUANTITY of MINIMUM ORDER

Capacitance range (μF)	Quantity (pcs.)
0.1 ~ 0.56	1000
0.68 ~ 0.82	800
1.0 ~ 1.5	600
1.8	500
2.2	400

DESIGN	M. MEKADA
CHECKED	T. KATO
APPROVAL	T. KATO
ESTABLISHMENT	Mar. 8. 2011
TYPE NAME	
ECWFA2J***J	
NAME Metallized Polypropylene Film Capacitor	
DRAWING NAME	
PRODUCT DRAWING	
DRAWING No.	
0071J-J-E (1/1)	

Film Capacitor Business Unit
 Device Solutions Business Division
 Panasonic Industry Co., Ltd.