

THIRD ANGLE PROJECTION

ITEM CODE	CAPACITANCE		DIMENSIONS					VOLUME (mm <sup>3</sup> )	MARKING STYLE	NOTE
	μF	(*)	L	T	H	S	d			
ECWF2104 () AQ	0.1	(104)	13.0	5.0	9.1	10.0	0.6	488	1	
" 2124 () AQ	0.12	(124)	"	5.3	9.4	"	"	524	"	
" 2154 () AQ	0.15	(154)	"	5.6	9.7	"	"	575	"	
" 2184 () AQ	0.18	(184)	"	5.9	10.1	"	"	626	"	
" 2224 () AQ	0.22	(224)	"	6.3	10.4	"	"	689	"	
" 2274 () AQ	0.27	(274)	"	6.8	10.9	"	"	771	"	
" 2334 () AQ	0.33	(334)	"	7.3	11.4	"	"	867	"	
" 2394 () AQ	0.39	(394)	"	7.8	11.9	"	"	962	"	
" 2474 () AQ	0.47	(474)	"	8.4	12.6	"	"	1087	"	
" 2564 () AQ	0.56	(564)	18.1	6.9	11.4	15.0	0.8	1179	"	
" 2684 () AQ	0.68	(684)	"	7.4	12.0	"	"	1328	"	
" 2824 () AQ	0.82	(824)	"	8.0	12.6	"	"	1499	"	
" 2105 () AQ	1.0	(105)	"	8.5	13.3	"	"	1684	"	
" 2125 () AQ	1.2	(125)	18.8	9.5	14.6	"	"	2125	2	*
" 2155 () AQ	1.5	(155)	"	10.5	15.6	"	"	2497	"	*
" 2185 () AQ	1.8	(185)	"	11.4	16.5	"	"	2863	"	*
" 2225 () AQ	2.2	(225)	"	12.6	17.6	"	"	3344	"	*
" 2275 () AQ	2.7	(275)	23.8	11.4	17.2	20.0	"	3824	"	*
" 2335 () AQ	3.3	(335)	"	12.5	18.3	"	"	4452	"	*
" 2395 () AQ	3.9	(395)	"	13.5	19.3	"	"	5070	"	*
" 2475 () AQ	4.7	(475)	"	14.8	20.6	"	"	5882	"	*
" 2565 () AQ	5.6	(565)	"	16.2	21.9	"	"	6784	"	*
" 2685 () AQ	6.8	(685)	"	17.8	23.5	"	"	7971	"	*

Note

※The specimen (the volume is more than 1750mm<sup>3</sup>) shall be satisfied with IEC60384-1 Inflammability Category B based on IEC60065, 1998~

CONSTRUCTION

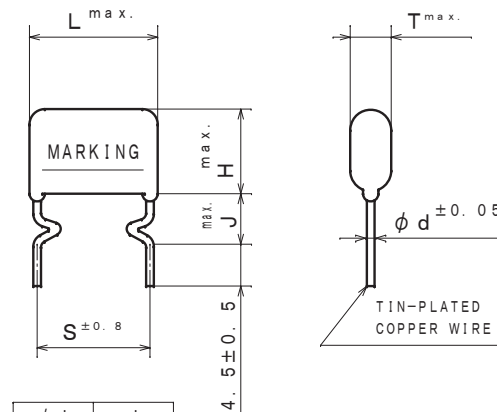
The capacitor is of non-inductive construction, wound with metallized polypropylene film dielectric.  
The capacitor is enclosed in non-combustible epoxy resin and has two leads.

MARKING

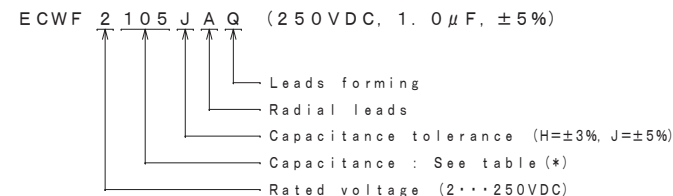
Marking comprises capacitance, capacitance tolerance, rated voltage, type name "WFA" and manufacturer's date code.

PROPERTIES

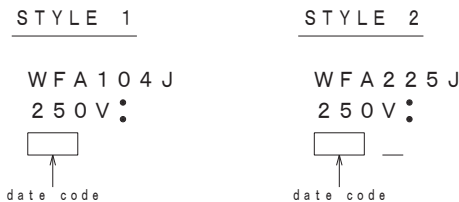
Capacitance : See table at 1kHz  
 Capacitance tolerance : ±3% (H), ±5% (J)  
 Rated voltage : 250VDC  
 Withstand voltage : 250VDC×150% for 60s  
 Insulation resistance : C≤0.33μF : ≥9000MΩ } at 100VDC, 20°C for 60s  
 : C>0.33μF : ≥3000MΩ·μF }  
 Dissipation factor : ≤0.1% at 1kHz, 20°C  
 Category temperature range : From -40°C to +105°C (including temperature rise on unit surface)



ITEM CODE NUMBER STRUCTURE



MARKING EXAMPLE



ALTERATION		
ISSUE	DESCRIPTION	DATE
1	Company name changed	Apr. 1 2012
2	Company name changed	Apr. 1 2013
3	Company name changed	Apr. 1 2015
4	Company name changed	Apr. 1 2022
SPECIFICATIONS No.		

DESIGN	M. MEKADA
CHECK	T. KATO
APPROVAL	T. KATO
ESTABLISHMENT	Aug. 29, 2008
TYPE NAME	
ECWF2*** () AQ	
NAME Metallized Polypropylene Film Capacitor	
DRAWING NAME	
PRODUCT DRAWING	
DRAWING No.	
8040J-J-E (1/1)	

Film Capacitor Business Unit  
Device Solutions Business Division  
Panasonic Industry Co., Ltd.

ITEM CODE	CAPACITANCE μF (*)	DIMENSIONS					VOLUME (mm <sup>3</sup> )	MARKING STYLE	NOTE
		L	T	H	S	d			
ECWF2104 () AB	0.1 (104)	13.0	5.0	9.1	7.5	0.6	488	1	
" 2124 () AB	0.12 (124)	"	5.3	9.4	"	"	524	"	
" 2154 () AB	0.15 (154)	"	5.6	9.7	"	"	575	"	
" 2184 () AB	0.18 (184)	"	5.9	10.1	"	"	626	"	
" 2224 () AB	0.22 (224)	"	6.3	10.4	"	"	689	"	
" 2274 () AB	0.27 (274)	"	6.8	10.9	"	"	771	"	
" 2334 () AB	0.33 (334)	"	7.3	11.4	"	"	867	"	
" 2394 () AB	0.39 (394)	"	7.8	11.9	"	"	962	"	
" 2474 () AB	0.47 (474)	"	8.4	12.6	"	"	1087	"	
" 2564 () AB	0.56 (564)	18.1	6.9	11.4	"	0.8	1179	"	
" 2684 () AB	0.68 (684)	"	7.4	12.0	"	"	1328	"	
" 2824 () AB	0.82 (824)	"	8.0	12.6	"	"	1499	"	
" 2105 () AB	1.0 (105)	"	8.5	13.3	"	"	1684	"	
" 2125 () AB	1.2 (125)	18.8	9.5	14.6	"	"	2125	2	*
" 2155 () AB	1.5 (155)	"	10.5	15.6	"	"	2497	"	*
" 2185 () AB	1.8 (185)	"	11.4	16.5	"	"	2863	"	*
" 2225 () AB	2.2 (225)	"	12.6	17.6	"	"	3344	"	*
" 2275 () AB	2.7 (275)	23.8	11.4	17.2	12.5	"	3824	"	*
" 2335 () AB	3.3 (335)	"	12.5	18.3	"	"	4452	"	*
" 2395 () AB	3.9 (395)	"	13.5	19.3	"	"	5070	"	*
" 2475 () AB	4.7 (475)	"	14.8	20.6	"	"	5882	"	*
" 2565 () AB	5.6 (565)	"	16.2	21.9	"	"	6784	"	*
" 2685 () AB	6.8 (685)	"	17.8	23.5	"	"	7971	"	*

Note

※The specimen (the volume is more than 1750mm<sup>3</sup>) shall be satisfied with IEC60384-1 Inflammability Category B based on IEC60065, 1998~

CONSTRUCTION

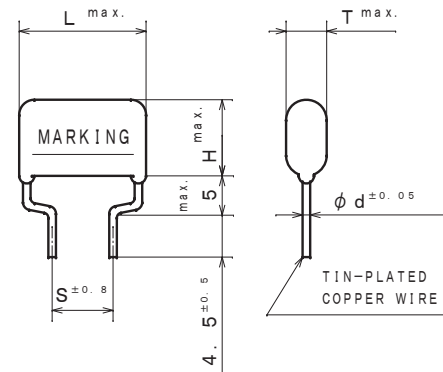
The capacitor is of non-inductive construction, wound with metallized polypropylene film dielectric.  
The capacitor is enclosed in non-combustible epoxy resin and has two leads.

MARKING

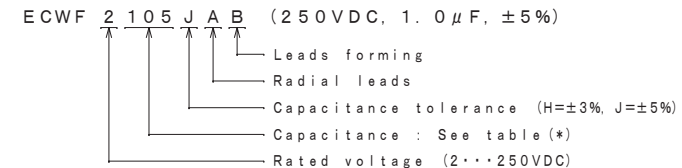
Marking comprises capacitance, capacitance tolerance, rated voltage, type name "WFA" and manufacturer's date code.

PROPERTIES

Capacitance : See table at 1kHz  
 Capacitance tolerance : ±3% (H), ±5% (J)  
 Rated voltage : 250VDC  
 Withstand voltage : 250VDC×150% for 60s  
 Insulation resistance : C≤0.33μF : ≥9000MΩ } at 100VDC, 20°C for 60s  
 : C>0.33μF : ≥3000MΩ·μF }  
 Dissipation factor : ≤0.1% at 1kHz, 20°C  
 Category temperature range : From -40°C to +105°C  
 (including temperature rise on unit surface)



ITEM CODE NUMBER STRUCTURE



MARKING EXAMPLE

STYLE 1

WFA 104 J  
250V  
↑  
date code

STYLE 2

WFA 225 J  
250V  
↑  
date code

ALTERATION		
ISSUE	DESCRIPTION	DATE
△	Company name changed	Apr. 1 2012
△	Company name changed	Apr. 1 2013
△	Company name changed	Apr. 1 2015
△	Company name changed	Apr. 1 2022
SPECIFICATIONS No.		

DESIGN	M. MEKADA
CHECKED	T. KATO
APPROVAL	T. KATO
ESTABLISHMENT	Aug. 29, 2008
TYPE NAME	
ECWF2*** () AB	
NAME Metallized Polypropylene Film Capacitor	
DRAWING NAME	
PRODUCT DRAWING	
DRAWING No.	
8041J-J-E (1/1)	

Film Capacitor Business Unit  
Device Solutions Business Division  
Panasonic Industry Co., Ltd.