

Type designation	Part No.	Cap. (μF) (*)		Dimensions						
				L	T	H	F	d	P	Q
ECQUB	ECQUBAF102**	0.001	(102)	15.3	5.0	11.5	15.0	0.6	0±0.8	1.4
"	" AF122**	0.0012	(122)	"	"	"	"	"	"	"
"	" AF152**	0.0015	(152)	"	"	"	"	"	"	"
"	" AF182**	0.0018	(182)	"	"	"	"	"	"	"
"	" AF222**	0.0022	(222)	"	"	"	"	"	"	"
"	" AF272**	0.0027	(272)	"	"	"	"	"	"	"
"	" AF332**	0.0033	(332)	"	"	"	"	"	"	"
"	" AF392**	0.0039	(392)	"	"	"	"	"	"	"
"	" AF472**	0.0047	(472)	"	"	"	"	"	"	"
"	" AF562**	0.0056	(562)	"	"	"	"	"	"	"
"	" AF682**	0.0068	(682)	"	"	"	"	"	"	"

VB...±10% (K)
VA...±20% (M)

ITEM CODE NUMBER STRUCTURE

ECQUB AF 102 VA (300VAC, 0.001μF, ±20%)

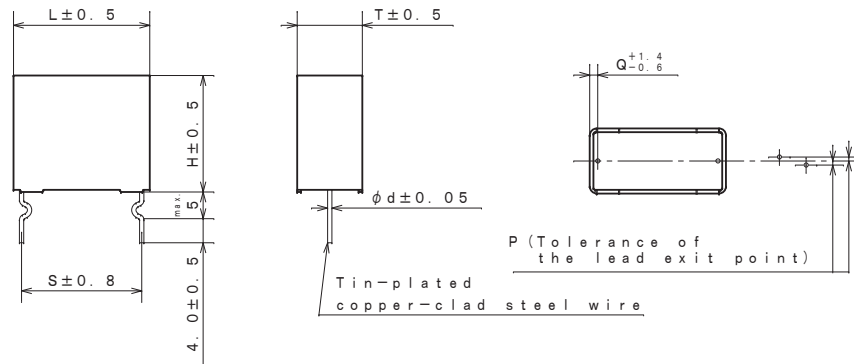
Leads forming
Capacitance tolerance (VB=±10% (K), VA=±20% (M))
Capacitance (*)
Rated voltage (AF...300VAC)

PACKING QUANTITY

Capacitance range (μF)	Quantity (pcs.)
0.001~0.0068	3000

QUANTITY of MINIMUM ORDER

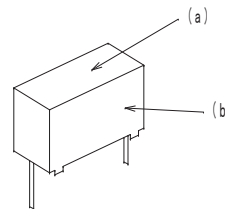
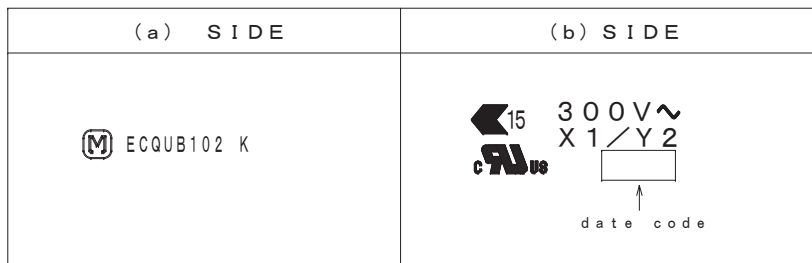
Capacitance range (μF)	Quantity (pcs.)
0.001~0.0068	1000



ALTERATION		
ISSUE	DESCRIPTION	DATE
△	Company name changed	Apr. 1 2022
SPECIFICATIONS No.		

DESIGN	M. MEKADA
CHECKED	T. KATO
APPROVAL	T. KATO
ESTABLISHMENT	Dec. 5. 2019
TYPE NAME	
ECQUBAF***VB	
ECQUBAF***VA	
NAME Safety Standard approval	
Metallized Capacitor	
DRAWING NAME	
PRODUCT DRAWING	
DRAWING No.	
J046B-J-E (1/2)	

Film Capacitor Business Unit
Device Solutions Business Division
Panasonic Industry Co., Ltd.



(Note) Only $\pm 10\%$ as capacitance tolerance to be marked as "K"

Note When applying for the agency, designate the capacitor in the following form, "ECQUB, 0.001 μ F"
The part number need not be specified.

North America UL60384-14
 CAN/CSA-E60384-14

Europe IEC60384-14
 EN60384-14

CLASS Y2/X1

CONSTRUCTION

The capacitor is of non-inductive construction, wound with metallized polypropylene film dielectric.
The capacitor is enclosed in non-combustible polybutylene telephthalate case, filled with non-combustible epoxy resin and has two leads.

MARKING

Marking comprises capacitance, capacitance tolerance (K only), rated voltage, type designation, capacitor classification, manufacturer's trademark, recognition mark and date code.

PROPERTIES

Capacitance	: See table	at 1kHz
Capacitance tolerance	: $\pm 10\%$ (K), $\pm 20\%$ (M)	at 1kHz
Rated voltage	: 300VAC	
Withstand voltage (terminal-terminal)	: 1600VAC or 2121VDC	} for 60s
(terminal-enclosure)	: 2100VAC	
Insulation resistance	: $\geq 15000\Omega$	at 100VDC for 60s, 20°C
	: $\geq 2000\Omega$	at 500VDC for 60s, 20°C
Dissipation factor	: $\leq 0.1\%$	at 1kHz, 20°C
Category temperature range	: From -40°C to +110°C	

REFERENCE

TYPE NAME
ECQUBAF***VB
ECQUBAF***VA

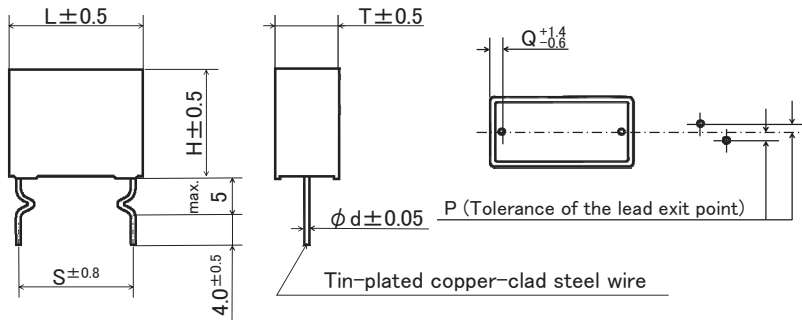
DRAWING No.
J046B-J-E (2/2)

Film Capacitor Business Unit
Device Solutions Business Division
Panasonic Industry Co., Ltd.

THIRD ANGLE PROJECTION

Type designation	Part No.	Cap. μF (*)	Dimensions							
			L	T	H	S	d	P	Q	
ECQUB	ECQUB AF103**	0.01 (103)	18.5	5.0	9.5	12.5	0.6	0±0.8	1.8	
"	" AF153**	0.015 (153)	"	6.0	10.5	"	"	"	"	
"	" AF223**	0.022 (223)	"	"	"	"	"	"	"	
"	" AF333**	0.033 (333)	"	"	"	"	"	"	"	
"	" AF473**	0.047 (473)	"	7.0	11.5	"	"	"	"	
"	" AF683**	0.068 (683)	"	8.0	12.5	"	"	"	"	
"	" AF104**	0.1 (104)	"	"	16.5	"	"	"	"	

VH= ±10% (K)
VG= ±20% (M)



PACKING QUANTITY

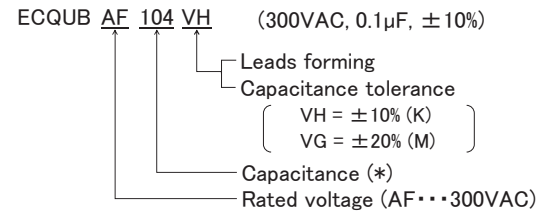
Capacitance range (μF)	Quantity (pcs.)
0.01 ~ 0.047	1500
0.068	1200
0.1	1000

QUANTITY of MINIMUM ORDER

Capacitance range (μF)	Quantity (pcs.)
0.01 ~ 0.1	1000

ALTERATION		
ISSUE	DESCRIPTION	DATE
△	Company name change	Apr.1 2022
SPECIFICATIONS No.		

ITEM CODE NUMBER STRUCTURE



CONSTRUCTION

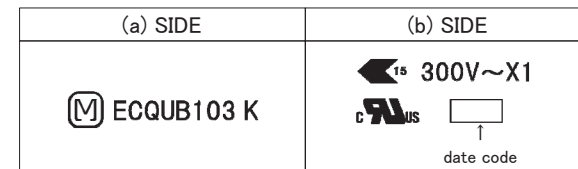
The capacitor is of non-inductive construction, would with metallized polypropylene film dielectric. The capacitor is enclosed in non-combustible polybutylene telephthalate case, filled with non-combustible epoxy resin and has two leads.

MARKING

Marking comprises capacitance, capacitance tolerance (K only), rated voltage, type designation, capacitor classification, manufacturer's trademark, recognition mark and date code.

PROPERTIES

Capacitance	: See table	at 1kHz
Capacitance tolerance	: ±10% (K) , ±20% (M)	at 1kHz
Rated voltage	: 300VAC	
Withstand voltage(terminal-terminal)	: 690VAC or 1768VDC	for 60s
(terminal-enclosure)	: 2100VAC	for 60s
Insulation resistance	: ≥15000MΩ	at 100VDC for 60s, 20°C
	: ≥2000MΩ	at 500VDC for 60s, 20°C
Dissipation factor	: ≤ 0.1%	at 1kHz, 20°C
Category temperature range	: From -40°C to +110°C	



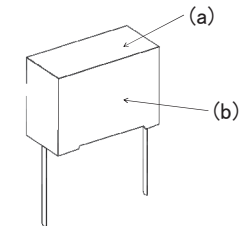
(Note) Only ±10% as capacitance tolerance to be marked as "K"

NOTE

When applying for the agency, designate the capacitor in the following form, "ECQUB, 0.1 μ F"
The part number need not be specified.

It is certified as type ECQUB in the following approval.

North America	UL60384-14 CAN/CSA-E60384-14
Europe	IEC60384-14 EN60384-14
	CLASS X1



DESIGN	M.Mebada
CHECKED	T. Shida
APPROVAL	T.Kato
ESTABLISHMENT	July. 28.2020
TYPE NAME	ECQUBAF***VH ECQUBAF***VG
NAME	Safety Standard approval Metallized Capacitor
DRAWING NAME	PRODUCT DRAWING
DRAWING No.	K035B-J-E (1/1)
	Film Capacitor Business Unit Device Solutions Business Division Panasonic Industry Co., Ltd.

DO NOT SCALE DRAWING

REVISIONS INDICATED BY △

ALL DIMENSIONS ARE IN MILLIMETERS