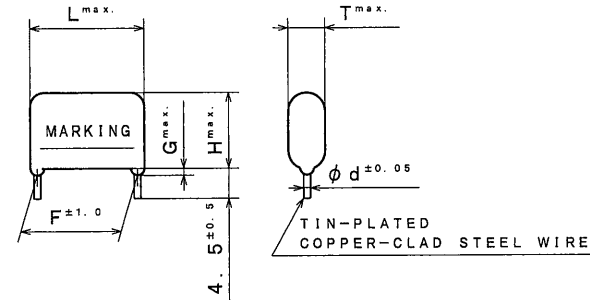


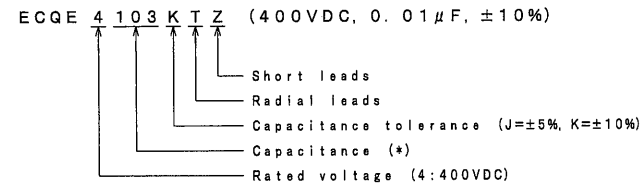
THIRD ANGLE PROJECTION

ITEM CODE	RATED VOLTAGE	CAP. μF (*)	DIMENSIONS						MARKING STYLE
			L	T	H	F	G	d	
ECQE4103 () TZ	400VDC	0.01 (103)	10.8	4.3	7.4	7.5	1.0	0.6	1
" 4123 () TZ	"	0.012 (123)	"	4.4	7.5	"	"	"	"
" 4153 () TZ	"	0.015 (153)	"	"	"	"	"	"	"
" 4183 () TZ	"	0.018 (183)	"	"	"	"	"	"	"
" 4223 () TZ	"	0.022 (223)	"	4.8	7.9	"	"	"	"
" 4273 () TZ	"	0.027 (273)	"	5.5	8.0	"	"	"	"
" 4333 () TZ	"	0.033 (333)	"	6.0	9.0	"	"	"	"
" 4393 () TZ	"	0.039 (393)	12.5	4.9	8.0	10.0	"	"	"
" 4473 () TZ	"	0.047 (473)	"	5.0	8.3	"	"	"	"
" 4663 () TZ	"	0.056 (563)	"	"	10.0	"	"	"	"
" 4683 () TZ	"	0.068 (683)	"	5.4	10.5	"	"	"	"
" 4823 () TZ	"	0.082 (823)	"	5.8	11.0	"	"	"	"
" 4104 () TZ	"	0.1 (104)	"	6.3	12.0	"	"	"	"
" 4124 () TZ	"	0.12 (124)	19.0	5.0	10.0	15.0	"	"	2
" 4154 () TZ	"	0.15 (154)	"	"	12.4	"	"	"	"
" 4184 () TZ	"	0.18 (184)	"	5.4	12.5	"	"	"	"
" 4224 () TZ	"	0.22 (224)	"	5.9	13.0	"	"	"	"
" 4274 () TZ	"	0.27 (274)	"	6.5	14.3	"	"	0.8	"
" 4334 () TZ	"	0.33 (334)	"	7.0	14.9	"	"	"	"
" 4394 () TZ	"	0.39 (394)	"	7.5	15.4	"	"	"	"
" 4474 () TZ	"	0.47 (474)	"	7.8	17.0	"	"	"	"
" 4564 () TZ	"	0.56 (564)	26.5	6.5	16.0	22.5	"	"	"
" 4684 () TZ	"	0.68 (684)	"	7.0	16.5	"	"	"	"
" 4824 () TZ	"	0.82 (824)	"	7.9	17.3	"	"	"	"
" 4105 () TZ	"	1.0 (105)	"	8.5	18.0	"	"	"	"
" 4125 () TZ	"	1.2 (125)	"	9.5	18.9	"	"	"	"
" 4155 () TZ	"	1.5 (155)	31.5	"	19.0	27.5	"	"	"
" 4185 () TZ	"	1.8 (185)	"	11.0	20.5	"	1.5	"	"
" 4225 () TZ	"	2.2 (225)	"	"	22.0	"	"	"	"

TOL. SYMBOL (J or K)



ITEM CODE NUMBER STRUCTURE



CONSTRUCTION

The capacitor is of non-inductive construction, wound with metallized polyester film dielectric.
The capacitor is enclosed in non-combustible epoxy resin and has two leads.

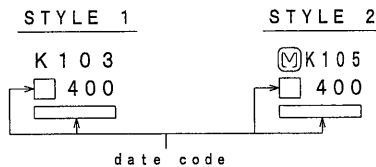
MARKING

Marking comprises capacitance, capacitance tolerance, rated voltage, manufacturer's trademark (STYLE 2 only) and date code.

PROPERTIES

Capacitance : See table at 1kHz
 Capacitance tolerance : $\pm 5\%$ (J), $\pm 10\%$ (K) at 1kHz
 Rated voltage : 400VDC (Derating of rated voltage by 1.25%/°C at more than 85°C)
 Withstand voltage : 400VDC $\times 150\%$ for 60s
 Insulation resistance : $\geq 9000\text{M}\Omega$ ($C \leq 0.33\mu\text{F}$) at 100VDC, 20°C for 60s
 : $\geq 3000\text{M}\Omega \cdot \mu\text{F}$ ($C > 0.33\mu\text{F}$) at 100VDC, 20°C for 60s
 Dissipation factor : $\leq 1.0\%$ at 1kHz, 20°C
 Category temperature range : From -40°C to +105°C
 (including temperature rise on unit surface)

MARKING EXAMPLE



ALTERATION

ISSUE	DESCRIPTION	DATE
1	Company name changed	Apr. 1 2012
2	Company name changed	Apr. 1 2013
3	Company name changed	Apr. 1 2015

SPECIFICATIONS No.

Reference

DESIGN	<i>M. Chibada</i>
CHECKED	<i>R. Otake</i>
APPROVAL	<i>Y. Takato</i>
ESTABLISHMENT	Oct. 4, 2010
TYPE NAME	ECQE4*** () TZ
NAME	Metallized Polyester Film Capacitor
DRAWING NAME	PRODUCT DRAWING
DRAWING No.	0032M-J-E (1/1)

Toyama-Matsue Plant
 Device Solutions Business Division
 Panasonic Corporation

DO NOT SCALE DRAWING

REVISIONS INDICATED BY Δ

ALL DIMENSIONS ARE IN MILLIMETERS