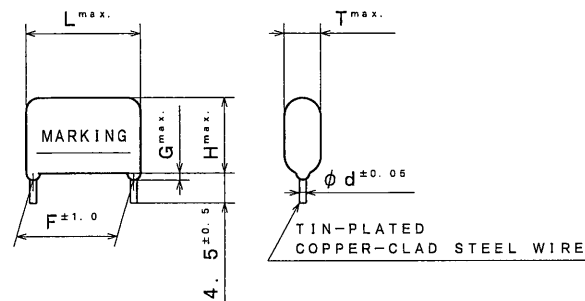


THIRD ANGLE PROJECTION

ITEM CODE	RATED VOLTAGE	CAP. μF (*)	DIMENSIONS							MARKING STYLE
			L	T	H	F	G	d		
ECQE1A103 () TZ	125VAC	0.01 (103)	11.0	4.5	7.5	7.5	1.0	0.6	1	
" 1A123 () TZ	"	0.012 (123)	"	4.4	"	"	"	"	"	
" 1A153 () TZ	"	0.015 (153)	"	"	"	"	"	"	"	
" 1A183 () TZ	"	0.018 (183)	"	"	"	"	"	"	"	
" 1A223 () TZ	"	0.022 (223)	"	"	"	"	"	"	"	
" 1A273 () TZ	"	0.027 (273)	"	"	"	"	"	"	"	
" 1A333 () TZ	"	0.033 (333)	"	4.5	7.8	"	"	"	"	
" 1A393 () TZ	"	0.039 (393)	"	"	"	"	"	"	"	
" 1A473 () TZ	"	0.047 (473)	"	5.5	8.0	"	"	"	"	
" 1A563 () TZ	"	0.056 (563)	"	5.9	8.5	"	"	"	"	
" 1A683 () TZ	"	0.068 (683)	"	6.3	9.4	"	"	"	"	
" 1A823 () TZ	"	0.082 (823)	"	6.5	9.8	"	"	"	"	
" 1A104 () TZ	"	0.1 (104)	"	"	11.8	"	"	"	"	
" 1A124 () TZ	"	0.12 (124)	13.0	5.9	11.5	10.0	"	"	"	
" 1A154 () TZ	"	0.15 (154)	"	6.5	12.0	"	"	"	"	
" 1A184 () TZ	"	0.18 (184)	"	7.0	12.5	"	"	"	"	
" 1A224 () TZ	"	0.22 (224)	"	7.5	13.4	"	"	"	"	
" 1A274 () TZ	"	0.27 (274)	19.0	6.3	12.0	15.0	"	"	2	
" 1A334 () TZ	"	0.33 (334)	"	6.9	12.5	"	"	"	"	
" 1A394 () TZ	"	0.39 (394)	"	7.4	13.0	"	"	"	"	
" 1A474 () TZ	"	0.47 (474)	"	7.5	15.3	"	"	"	"	

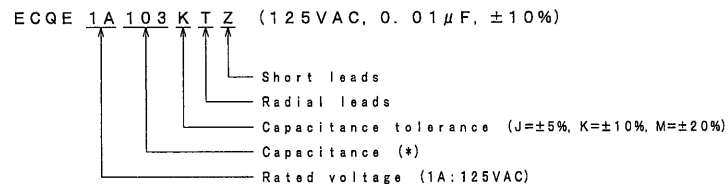
TOL. SYMBOL (J or K or M)



ALTERATION		
ISSUE	DESCRIPTION	DATE
△	Change: category temperature range (-40°C~+85°C~-40°C~+105°C)	Dec. 21 2010
△	Company name changed	Apr. 1 2012
△	Company name changed	Apr. 1 2013
△	Company name changed	Apr. 1 2015

SPECIFICATIONS No.

ITEM CODE NUMBER STRUCTURE



CONSTRUCTION

The capacitor is of non-inductive construction, wound with metallized polyester film dielectric.
The capacitor is enclosed in non-combustible epoxy resin and has two leads.

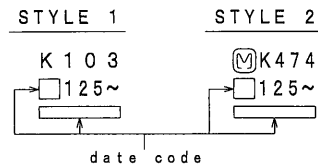
MARKING

Marking comprises capacitance, capacitance tolerance, rated voltage, manufacturer's trademark (STYLE 2 only) and date code.

PROPERTIES

Capacitance : See table at 1kHz
 Capacitance tolerance : $\pm 5\%$ (J), $\pm 10\%$ (K), $\pm 20\%$ (M) at 1kHz
 Rated voltage : 125VAC
 Withstand voltage (terminal-terminal) : 125VAC $\times 230\%$ for 60s
 (terminal-enclosure) : 1500VAC for 60s
 Insulation resistance : $\geq 2000M\Omega$ at 500VDC, 20°C for 60s
 Dissipation factor : $\leq 1.0\%$ at 1kHz, 20°C
 Category temperature range : \triangle From -40°C to +105°C (including temperature rise on unit surface)

MARKING EXAMPLE



Reference

DESIGN	<i>M. Ichigata</i>
CHECKED	<i>K. Ogasawara</i>
APPROVAL	<i>Y. Takata</i>
ESTABLISHMENT	Oct. 4, 2010
TYPE NAME	ECQE1A*** () TZ
NAME	Metallized Polyester Film Capacitor
DRAWING NAME	PRODUCT DRAWING
DRAWING No.	0034M-J-E (1/1)

Toyama·Matsue Plant
 Device Solutions Business Division
 Panasonic Corporation