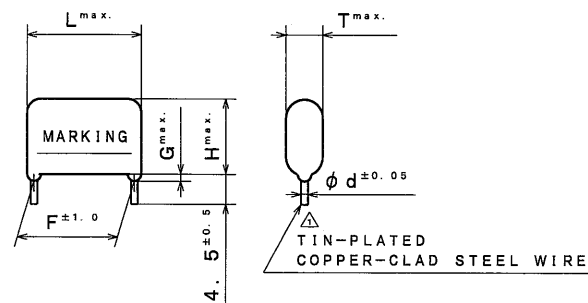


THIRD ANGLE PROJECTION

ITEM CODE	RATED VOLTAGE	CAP. μF (*)	DIMENSIONS						MARKING STYLE
			L	T	H	F	G	d	
ECQE4103 () FZ	400VDC	0.01 (103)	10.3	4.3	7.4	7.5	1.0	0.6	1
" 4123 () FZ	"	0.012 (123)	"	4.4	7.5	"	"	"	"
" 4153 () FZ	"	0.015 (153)	"	"	"	"	"	"	"
" 4183 () FZ	"	0.018 (183)	"	"	"	"	"	"	"
" 4223 () FZ	"	0.022 (223)	"	4.8	7.9	"	"	"	"
" 4273 () FZ	"	0.027 (273)	"	5.5	8.0	"	"	"	"
" 4333 () FZ	"	0.033 (333)	"	6.0	9.0	"	"	"	"
" 4393 () FZ	"	0.039 (393)	12.0	4.9	8.0	10.0	"	"	"
" 4473 () FZ	"	0.047 (473)	"	5.0	8.3	"	"	"	"
" 4563 () FZ	"	0.056 (563)	"	"	10.0	"	"	"	"
" 4683 () FZ	"	0.068 (683)	"	5.4	10.5	"	"	"	"
" 4823 () FZ	"	0.082 (823)	"	5.8	11.0	"	"	"	"
" 4104 () FZ	"	0.1 (104)	"	6.3	12.0	"	"	"	"
" 4124 () FZ	"	0.12 (124)	18.5	5.0	10.0	15.0	"	"	2
" 4154 () FZ	"	0.15 (154)	"	"	12.4	"	"	"	"
" 4184 () FZ	"	0.18 (184)	"	5.4	12.5	"	"	"	"
" 4224 () FZ	"	0.22 (224)	"	5.9	13.0	"	"	"	"
" 4274 () FZ	"	0.27 (274)	"	6.5	14.3	"	"	0.8	"
" 4334 () FZ	"	0.33 (334)	"	7.0	14.9	"	"	"	"
" 4394 () FZ	"	0.39 (394)	"	7.5	15.4	"	"	"	"
" 4474 () FZ	"	0.47 (474)	"	7.8	17.0	"	"	"	"
" 4564 () FZ	"	0.56 (564)	26.0	6.5	16.0	22.5	"	"	"
" 4684 () FZ	"	0.68 (684)	"	7.0	16.5	"	"	"	"
" 4824 () FZ	"	0.82 (824)	"	7.9	17.3	"	"	"	"
" 4105 () FZ	"	1.0 (105)	"	8.5	18.0	"	"	"	"
" 4125 () FZ	"	1.2 (125)	"	9.5	18.9	"	"	"	"
" 4155 () FZ	"	1.5 (155)	31.0	"	19.0	27.5	"	"	"
" 4185 () FZ	"	1.8 (185)	"	11.0	20.5	"	1.5	"	"
" 4225 () FZ	"	2.2 (225)	"	"	22.0	"	"	"	"

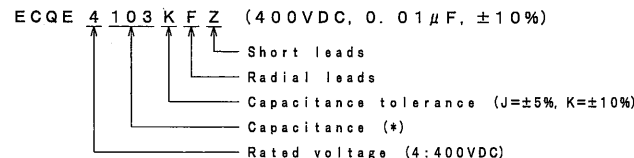
TOL. SYMBOL (J or K)



ALTERATION		
ISSUE	DESCRIPTION	DATE
△	Modification	Jun. 20 2002
△	Company name changed	Oct. 1 2004
△	Company name changed	Apr. 1 2005
△	Company name changed	Apr. 1 2006
△	Correction: category temperature range (-40°C~+85°C~40°C~+105°C) Addition: rated voltage (Derating of rated voltage by 1.25%/°C at more than 85°C) Company name changed	Apr. 1 2008
△	Company name changed	Apr. 1 2012
△	Company name changed	Apr. 1 2013
△	Company name changed	Apr. 1 2015

SPECIFICATIONS No.
TE72031Y

ITEM CODE NUMBER STRUCTURE



CONSTRUCTION

The capacitor is of non-inductive construction, wound with metallized polyester film dielectric.
The capacitor is enclosed in non-combustible epoxy resin and has two leads.

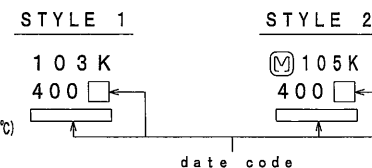
MARKING

Marking comprises capacitance, capacitance tolerance, rated voltage, manufacturer's trademark (STYLE 2 only) and date code.

PROPERTIES

Capacitance	: See table	at 1kHz
Capacitance tolerance	: \pm 5% (J), \pm 10% (K)	at 1kHz
Rated voltage	: 400VDC △	(Derating of rated voltage by 1.25%/°C at more than 85°C)
Withstand voltage	: 400VDC \times 150%	for 60s
Insulation resistance	: \geq 9000M Ω	(C \leq 0.33 μ F) at 100VDC, 20°C for 60s
	: \geq 3000M Ω $\cdot\mu$ F	(C $>$ 0.33 μ F) at 100VDC, 20°C for 60s
Dissipation factor	: \leq 1.0%	at 1kHz, 20°C
Category temperature range	: △	From -40°C to +105°C (including temperature rise on unit surface)

MARKING EXAMPLE



Reference

DESIGN	<i>Y. Chikazawa</i>
CHECKED	<i>Y. Otsaki</i>
APPROVAL	<i>Y. Takata</i>
ESTABLISHMENT	Jul. 12, 2001
TYPE NAME	ECQE4*** () FZ
NAME	Metallized Polyester Film Capacitor
DRAWING NAME	PRODUCT DRAWING
DRAWING No.	1067M-J-E (1/1)

Toyama Matsue Plant
Device Solutions Business Division
Panasonic Corporation