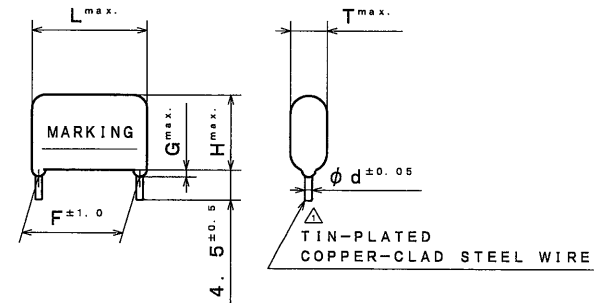


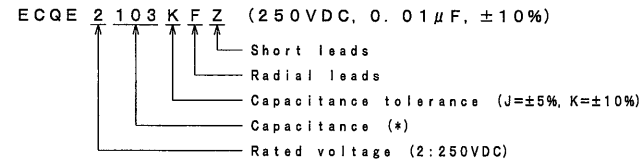
THIRD ANGLE PROJECTION

ITEM CODE	RATED VOLTAGE	CAP. $\mu$ F ( * )	DIMENSIONS							MARKING STYLE
			L	T	H	F	G	d		
ECQE2103 () FZ	250VDC	0.01 (103)	10.3	4.3	7.4	7.5	1.0	0.6	1	
" 2123 () FZ	"	0.012 (123)	"	4.4	7.5	"	"	"	"	
" 2153 () FZ	"	0.015 (153)	"	"	"	"	"	"	"	
" 2183 () FZ	"	0.018 (183)	"	"	"	"	"	"	"	
" 2223 () FZ	"	0.022 (223)	"	"	"	"	"	"	"	
" 2273 () FZ	"	0.027 (273)	"	"	"	"	"	"	"	
" 2333 () FZ	"	0.033 (333)	"	4.5	"	"	"	"	"	
" 2393 () FZ	"	0.039 (393)	"	"	"	"	"	"	"	
" 2473 () FZ	"	0.047 (473)	"	"	"	"	"	"	"	
" 2563 () FZ	"	0.056 (563)	"	4.8	7.9	"	"	"	"	
" 2683 () FZ	"	0.068 (683)	"	4.5	7.5	"	"	"	"	
" 2823 () FZ	"	0.082 (823)	"	4.9	8.0	"	"	"	"	
" 2104 () FZ	"	0.1 (104)	"	5.8	8.4	"	"	"	"	
" 2124 () FZ	"	0.12 (124)	"	6.0	9.0	"	"	"	"	
" 2154 () FZ	"	0.15 (154)	"	"	10.8	"	"	"	"	
" 2184 () FZ	"	0.18 (184)	12.0	5.0	10.3	10.0	"	"	"	
" 2224 () FZ	"	0.22 (224)	"	5.5	10.5	"	"	"	"	
" 2274 () FZ	"	0.27 (274)	"	6.0	11.5	"	"	"	"	
" 2334 () FZ	"	0.33 (334)	"	6.5	12.0	"	"	"	"	
" 2394 () FZ	"	0.39 (394)	18.5	4.9	"	15.0	"	"	2	
" 2474 () FZ	"	0.47 (474)	"	5.3	12.5	"	"	"	"	
" 2564 () FZ	"	0.56 (564)	"	5.5	13.0	"	"	"	"	
" 2684 () FZ	"	0.68 (684)	"	6.0	13.5	"	"	0.8	"	
" 2824 () FZ	"	0.82 (824)	"	6.5	14.5	"	"	"	"	
" 2105 () FZ	"	1.0 (105)	"	7.4	15.0	"	"	"	"	
" 2125 () FZ	"	1.2 (125)	"	8.0	15.9	"	"	"	"	
" 2155 () FZ	"	1.5 (155)	"	9.0	16.8	"	"	"	"	
" 2185 () FZ	"	1.8 (185)	26.0	7.5	15.5	22.5	"	"	"	
" 2225 () FZ	"	2.2 (225)	"	8.5	16.3	"	"	"	"	
" 2275 () FZ	"	2.7 (275)	"	9.4	17.0	"	"	"	"	
" 2335 () FZ	"	3.3 (335)	"	10.3	18.0	"	1.5	"	"	
" 2395 () FZ	"	3.9 (395)	"	11.0	20.5	"	"	"	"	
" 2475 () FZ	"	4.7 (475)	"	12.0	21.5	"	"	"	"	
" 2565 () FZ	"	5.6 (565)	31.0	11.8	21.0	27.5	"	"	"	
" 2685 () FZ	"	6.8 (685)	"	13.0	22.4	"	"	"	"	
" 2825 () FZ	"	8.2 (825)	"	14.3	23.5	"	"	"	"	
" 2106 () FZ	"	10.0 (106)	"	15.9	25.8	"	"	"	"	

TOL. SYMBOL (J or K)



ITEM CODE NUMBER STRUCTURE



CONSTRUCTION

The capacitor is of non-inductive construction, wound with metallized polyester film dielectric.  
The capacitor is enclosed in non-combustible epoxy resin and has two leads.

MARKING

Marking comprises capacitance, capacitance tolerance, rated voltage, manufacturer's trademark (STYLE 2 only) and date code.

PROPERTIES

Capacitance : See table at 1kHz  
 Capacitance tolerance :  $\pm$ 5% (J),  $\pm$ 10% (K) at 1kHz  
 Rated voltage : 250VDC  $\Delta$  (Derating of rated voltage by 1.25%/ $^{\circ}$ C at more than 85 $^{\circ}$ C)  
 Withstand voltage : 250VDC $\times$ 150% for 60s  
 Insulation resistance :  $\geq$ 9000M $\Omega$  ( $C \leq$ 0.33 $\mu$ F) at 100VDC, 20 $^{\circ}$ C for 60s  
 :  $\geq$ 3000M $\Omega \cdot \mu$ F ( $C >$ 0.33 $\mu$ F) at 100VDC, 20 $^{\circ}$ C for 60s  
 Dissipation factor :  $\leq$ 1.0% at 1kHz, 20 $^{\circ}$ C  
 Category temperature range :  $\Delta$  From -40 $^{\circ}$ C to +105 $^{\circ}$ C  
 (including temperature rise on unit surface)

DO NOT SCALE DRAWING REVISIONS INDICATED BY  $\Delta$  ALL DIMENSIONS ARE IN MILLIMETERS

ALTERATION		
ISSUE	DESCRIPTION	DATE
$\Delta$	Modification	Jun. 20 2002
$\Delta$	Company name changed	Oct. 1 2004
$\Delta$	Company name changed	Apr. 1 2005
$\Delta$	Company name changed	Apr. 1 2006
$\Delta$	Correction: category temperature range (-40 $^{\circ}$ C~+85 $^{\circ}$ C $\rightarrow$ -40 $^{\circ}$ C~+105 $^{\circ}$ C) Addition: rated voltage (Derating of rated voltage by 1.25%/ $^{\circ}$ C at more than 85 $^{\circ}$ C) Company name changed	Apr. 1 2008
$\Delta$	Company name changed	Apr. 1 2012
$\Delta$	Company name changed	Apr. 1 2013
$\Delta$	Company name changed	Apr. 1 2015

SPECIFICATIONS No. TE72027Y

Reference

DESIGN	<i>M. Imada</i>
CHECKED	<i>K. Osaka</i>
APPROVAL	<i>M. Takata</i>
ESTABLISHMENT	Apr. 9, 1997
TYPE NAME	
ECQE2*** () FZ	
NAME Metallized Polyester Film Capacitor	
DRAWING NAME	
PRODUCT DRAWING	
DRAWING No.	
CT-H-786E (1/1)	

Toyama-Matsue Plant  
 Device Solutions Business Division  
 Panasonic Corporation