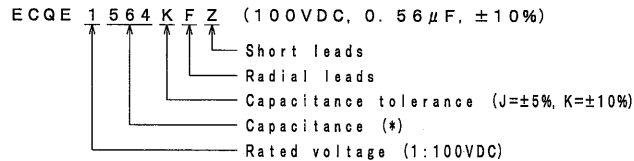


THIRD ANGLE PROJECTION

ITEM CODE	RATED VOLTAGE	CAP. μF (*)	DIMENSIONS							MARKING STYLE
			L	T	H	F	G	d		
ECQE1564 () FZ	100VDC	0.56 (564)	12.0	5.5	10.9	10.0	1.0	0.6	1	
" 1684 () FZ	"	0.68 (684)	"	6.0	11.9	"	"	"	"	
" 1824 () FZ	"	0.82 (824)	"	"	13.5	"	"	"	"	
" 1105 () FZ	"	1.0 (105)	"	6.7	14.0	"	"	"	"	
" 1125 () FZ	"	1.2 (125)	18.5	5.5	12.8	15.0	"	"	2	
" 1155 () FZ	"	1.5 (155)	"	6.0	13.4	"	"	0.8	"	
" 1185 () FZ	"	1.8 (185)	"	6.5	14.4	"	"	"	"	
" 1225 () FZ	"	2.2 (225)	"	7.0	15.0	"	"	"	"	
" 1275 () FZ	"	2.7 (275)	"	8.0	15.8	"	"	"	"	
" 1335 () FZ	"	3.3 (335)	"	8.5	16.5	"	"	"	"	
" 1395 () FZ	"	3.9 (395)	26.0	7.0	16.4	22.5	"	"	"	
" 1475 () FZ	"	4.7 (475)	"	7.5	17.0	"	"	"	"	
" 1565 () FZ	"	5.6 (565)	"	8.3	17.5	"	"	"	"	
" 1685 () FZ	"	6.8 (685)	"	9.0	18.5	"	"	"	"	
" 1825 () FZ	"	8.2 (825)	"	10.0	20.0	"	1.5	"	"	
" 1106 () FZ	"	10.0 (106)	"	11.5	21.0	"	"	"	"	

TOL. SYMBOL (J or K)

ITEM CODE NUMBER STRUCTURE



CONSTRUCTION

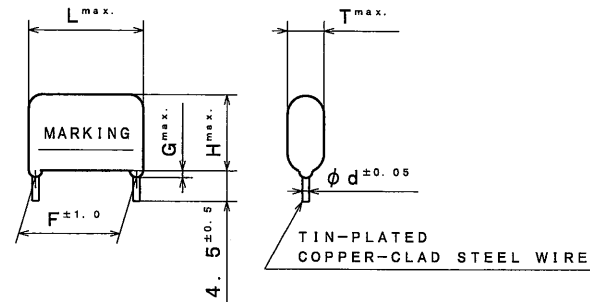
The capacitor is of non-inductive construction, wound with metallized polyester film dielectric.
The capacitor is enclosed in non-combustible epoxy resin and has two leads.

MARKING

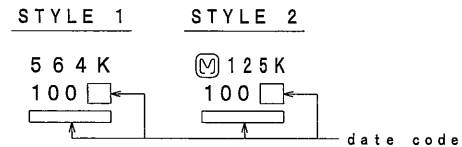
Marking comprises capacitance, capacitance tolerance, rated voltage, manufacturer's trademark (STYLE 2 only) and date code.

PROPERTIES

- Capacitance: See table at 1kHz
- Capacitance tolerance: $\pm 5\%$ (J), $\pm 10\%$ (K) at 1kHz
- Rated voltage: 100VDC Δ (Derating of rated voltage by 1.25%/°C at more than 85°C)
- Withstand voltage: 100VDC $\times 150\%$ for 60s
- Insulation resistance: $\geq 3000\Omega \cdot \mu F$ at 100VDC, 20°C for 60s
- Dissipation factor: $\leq 1.0\%$ at 1kHz, 20°C
- Category temperature range: Δ From -40°C to +105°C (including temperature rise on unit surface)



MARKING EXAMPLE



ALTERATION		
ISSUE	DESCRIPTION	DATE
Δ	Company name changed	Apr. 1 2006
Δ	Correction: category temperature range (-40°C~+85°C→-40°C~+105°C) Addition: rated voltage (Derating of rated voltage by 1.25%/°C at more than 85°C)	Jan. 22 2008
Δ	Company name changed	Apr. 1 2008
Δ	Company name changed	Apr. 1 2012
Δ	Company name changed	Apr. 1 2013
Δ	Company name changed	Apr. 1 2015
SPECIFICATIONS No. TEB7174H		

Reference

DESIGN	<i>M. Mochida</i>
CHECKED	<i>K. Osaki</i>
APPROVAL	<i>T. Takata</i>
ESTABLISHMENT	Dec. 5, 2005
TYPE NAME	ECQE1*** () FZ
NAME	Metallized Polyester Film Capacitor
DRAWING NAME	PRODUCT DRAWING
DRAWING No.	5082M-J-E (1/1)

Toyama-Matsue Plant
Device Solutions Business Division
Panasonic Corporation