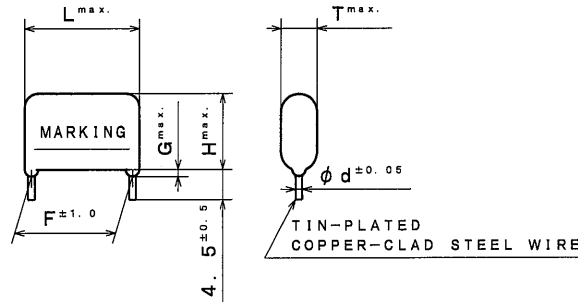


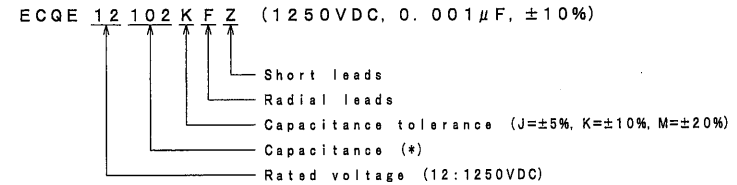
THIRD ANGLE PROJECTION

| ITEM CODE        | CAP.<br>μF ( * ) | CAP.<br>(μF) | DIMENSIONS |      |      |      |     |     |
|------------------|------------------|--------------|------------|------|------|------|-----|-----|
|                  |                  |              | L          | T    | H    | F    | G   | d   |
| ECQE12102 ( ) FZ | 0.001 (102)      | 0.001        | 15.5       | 6.0  | 11.0 | 12.5 | 1.0 | 0.6 |
| " 12122 ( ) FZ   | 0.0012 (122)     | 0.0012       | "          | "    | "    | "    | "   | "   |
| " 12152 ( ) FZ   | 0.0015 (152)     | 0.0015       | "          | "    | "    | "    | "   | "   |
| " 12182 ( ) FZ   | 0.0018 (182)     | 0.0018       | "          | "    | "    | "    | "   | "   |
| " 12222 ( ) FZ   | 0.0022 (222)     | 0.0022       | "          | "    | 11.5 | "    | "   | "   |
| " 12272 ( ) FZ   | 0.0027 (272)     | 0.0027       | "          | 6.5  | 12.0 | "    | "   | "   |
| " 12332 ( ) FZ   | 0.0033 (332)     | 0.0033       | "          | 6.0  | 11.5 | "    | "   | "   |
| " 12392 ( ) FZ   | 0.0039 (392)     | 0.0039       | "          | 6.5  | 12.0 | "    | "   | "   |
| " 12472 ( ) FZ   | 0.0047 (472)     | 0.0047       | "          | 7.0  | 12.5 | "    | "   | "   |
| " 12562 ( ) FZ   | 0.0056 (562)     | 0.0056       | "          | 7.5  | 13.0 | "    | "   | "   |
| " 12682 ( ) FZ   | 0.0068 (682)     | 0.0068       | "          | "    | 15.0 | "    | "   | "   |
| " 12822 ( ) FZ   | 0.0082 (822)     | 0.0082       | 21.0       | 5.0  | 12.0 | 17.5 | "   | "   |
| " 12103 ( ) FZ   | 0.01 (103)       | 0.01         | "          | "    | 12.5 | "    | "   | "   |
| " 12123 ( ) FZ   | 0.012 (123)      | 0.012        | "          | 5.5  | 13.0 | "    | "   | "   |
| " 12153 ( ) FZ   | 0.015 (153)      | 0.015        | "          | 6.0  | 13.5 | "    | "   | "   |
| " 12183 ( ) FZ   | 0.018 (183)      | 0.018        | "          | 6.5  | 14.5 | "    | "   | 0.8 |
| " 12223 ( ) FZ   | 0.022 (223)      | 0.022        | "          | 7.0  | 15.0 | "    | "   | "   |
| " 12273 ( ) FZ   | 0.027 (273)      | 0.027        | 26.0       | 6.0  | 15.5 | 22.5 | "   | "   |
| " 12333 ( ) FZ   | 0.033 (333)      | 0.033        | "          | 6.5  | 16.0 | "    | "   | "   |
| " 12393 ( ) FZ   | 0.039 (393)      | 0.039        | "          | 7.0  | 16.5 | "    | "   | "   |
| " 12473 ( ) FZ   | 0.047 (473)      | 0.047        | "          | 8.0  | 17.0 | "    | "   | "   |
| " 12563 ( ) FZ   | 0.056 (563)      | 0.056        | 31.0       | 7.5  | "    | 27.5 | "   | "   |
| " 12683 ( ) FZ   | 0.068 (683)      | 0.068        | "          | 8.0  | 17.5 | "    | "   | "   |
| " 12823 ( ) FZ   | 0.082 (823)      | 0.082        | "          | 9.0  | 18.5 | "    | "   | "   |
| " 12104 ( ) FZ   | 0.1 (104)        | 0.1          | "          | 10.0 | 19.5 | "    | "   | "   |
| " 12124 ( ) FZ   | 0.12 (124)       | 0.12         | "          | 11.5 | 20.5 | "    | 1.5 | "   |
| " 12154 ( ) FZ   | 0.15 (154)       | 0.15         | "          | 12.0 | 23.0 | "    | "   | "   |
| " 12184 ( ) FZ   | 0.18 (184)       | 0.18         | "          | 13.0 | 24.5 | "    | "   | "   |
| " 12224 ( ) FZ   | 0.22 (224)       | 0.22         | "          | 14.5 | 26.5 | "    | "   | "   |

TOL. SYMBOL (J or K or M)



ITEM CODE NUMBER STRUCTURE



CONSTRUCTION

The capacitor is of non-inductive construction, wound with metallized polyester film dielectric.  
The capacitor is enclosed in non-combustible epoxy resin and has two leads.

MARKING

Marking comprises capacitance, capacitance tolerance, rated voltage, type name, manufacturer's trademark and date code.

PROPERTIES

Capacitance : See table at 1kHz  
 Capacitance tolerance : ±5% (J), ±10% (K), ±20% (M) at 1kHz  
 Rated voltage : 125VAC/1250VDC (Derating of rated voltage by 1.25%/°C at more than 85°C)  
 Withstand voltage (terminal-terminal) : 1250VDCx175% for 2s to 5s (1000VAC for 60s)  
 (terminal-enclosure) : 1500VAC for 60s  
 Insulation resistance : ≥10000MΩ at 100VDC, 20°C for 60s  
 : ≥2000MΩ at 500VDC, 20°C for 60s  
 Dissipation factor : ≤1.0% at 1kHz, 20°C  
 Category temperature range : From -40°C to +105°C  
 (including temperature rise on unit surface)

MARKING EXAMPLE

Ⓜ 102 M  
 Q-E 1250V  
 125V~ [ ] ← date code

Reference

|               |                                     |
|---------------|-------------------------------------|
| DESIGN        | <i>An-1000000</i>                   |
| CHECKED       | <i>K. Osaka</i>                     |
| APPROVAL      | <i>Y. Takata</i>                    |
| ESTABLISHMENT | Oct. 4, 2010                        |
| TYPE NAME     | ECQE12*** ( ) FZ                    |
| NAME          | Metallized Polyester Film Capacitor |
| DRAWING NAME  | PRODUCT DRAWING                     |
| DRAWING No.   | 0036M-J-E (1/1)                     |

Toyama·Matsue Plant  
 Device Solutions Business Division  
 Panasonic Corporation

| ALTERATION         |                      |             |
|--------------------|----------------------|-------------|
| ISSUE              | DESCRIPTION          | DATE        |
| ①                  | Company name changed | Apr. 1 2012 |
| ②                  | Company name changed | Apr. 1 2013 |
| ③                  | Company name changed | Apr. 1 2015 |
| SPECIFICATIONS No. |                      |             |