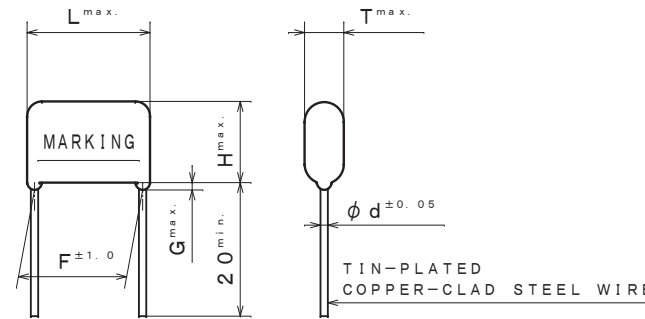


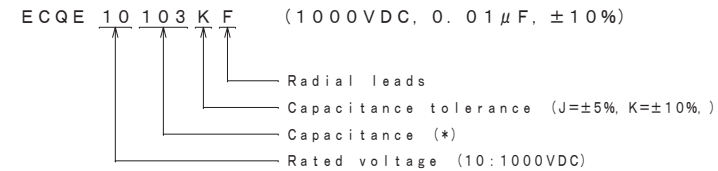
ITEM CODE	CAP.		DIMENSIONS						
	μF	(*)	L	T	H	F	G	d	
ECQE10103 () F	0.01	(103)	15.5	6.0	11.0	12.5	1.0	0.6	
" 10123 () F	0.012	(123)	"	"	12.0	"	"	"	
" 10153 () F	0.015	(153)	"	7.0	12.5	"	"	"	
" 10183 () F	0.018	(183)	"	7.5	13.0	"	"	0.8	
" 10223 () F	0.022	(223)	"	"	15.5	"	"	"	
" 10273 () F	0.027	(273)	21.0	6.0	13.0	17.5	"	"	
" 10333 () F	0.033	(333)	"	6.5	14.0	"	"	"	
" 10393 () F	0.039	(393)	"	7.0	14.5	"	"	"	
" 10473 () F	0.047	(473)	"	7.5	15.5	"	"	"	
" 10563 () F	0.056	(563)	"	"	17.0	"	"	"	
" 10683 () F	0.068	(683)	"	8.5	18.0	"	"	"	
" 10823 () F	0.082	(823)	"	9.0	18.5	"	"	"	
" 10104 () F	0.1	(104)	"	10.0	20.0	"	"	"	
" 10124 () F	0.12	(124)	26.0	9.0	18.5	22.5	"	"	
" 10154 () F	0.15	(154)	"	"	20.0	"	1.5	"	
" 10184 () F	0.18	(184)	"	10.5	22.0	"	"	"	
" 10224 () F	0.22	(224)	"	12.0	23.0	"	"	"	

TOL. SYMBOL (J or K)



ALTERATION		
ISSUE	DESCRIPTION	DATE
△	Company name changed	Apr. 1 2012
△	Company name changed	Apr. 1 2013
△	Company name changed	Apr. 1 2015
△	Company name changed	Apr. 1 2022
SPECIFICATIONS No. TEB7168H		

ITEM CODE NUMBER STRUCTURE



CONSTRUCTION

The capacitor is of non-inductive construction, wound with metallized polyester film dielectric.
The capacitor is enclosed in non-combustible epoxy resin and has two leads.

MARKING

Marking comprises capacitance, capacitance tolerance, rated voltage, type name, manufacturer's trademark and date code.

PROPERTIES

- Capacitance : See table at 1kHz
- Capacitance tolerance : $\pm 5\%$ (J), $\pm 10\%$ (K) at 1kHz
- Rated voltage : 125VAC \times /1000VDC (Derating of rated voltage by 1.25%/ $^{\circ}C$ at more than 85 $^{\circ}C$)
- Withstand voltage (terminal-terminal) : 1000VDC $\times 175\%$ for 2s~5s (1000VAC for 60s)
- (terminal-enclosure) : 1500VAC for 60s
- Insulation resistance : $\geq 10000M\Omega$ at 100VDC, 20 $^{\circ}C$ for 60s
- : $\geq 2000M\Omega$ at 500VDC, 20 $^{\circ}C$ for 60s
- Dissipation factor : $\leq 1.0\%$ at 1kHz, 20 $^{\circ}C$
- Category temperature range : From -40 $^{\circ}C$ to +105 $^{\circ}C$
(including temperature rise on unit surface)

MARKING EXAMPLE

Ⓜ 103 K
Q-E 1000V
125V~ ← date code

※When capacitor use in primary side of power source as across the line capacitor, this capacitor can used in Japan only.

DESIGN	M. MEKADA
CHECKED	T. KATO
APPROVAL	T. KATO
ESTABLISHMENT	Apr. 27, 2011
TYPE NAME	
ECQE10*** () F	
NAME Metallized Polyester Film Capacitor	
DRAWING NAME	
PRODUCT DRAWING	
DRAWING No.	
A001M-J-E (1/1)	

Film Capacitor Business Unit
Device Solutions Business Division
Panasonic Industry Co., Ltd.