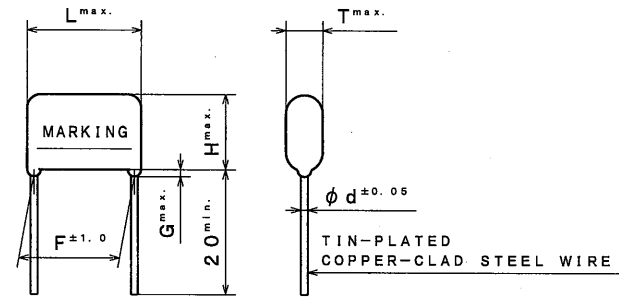
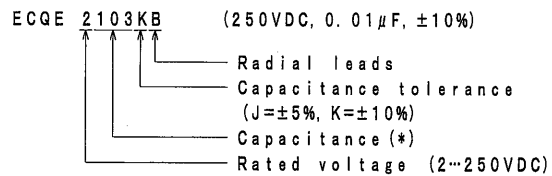


THIRD ANGLE PROJECTION

ITEM CODE	RATED VOLTAGE	CAP. μF (*)	DIMENSIONS							MARKING STYLE
			L	T	H	F	G	d		
ECQE2103 () B	250VDC	0.01 (103)	7.9	4.2	7.1	5.0	1.0	0.5	1	
" 2123 () B	"	0.012 (123)	"	"	"	"	"	"	"	
" 2153 () B	"	0.015 (153)	"	"	"	"	"	"	"	
" 2183 () B	"	0.018 (183)	"	4.3	7.2	"	"	"	"	
" 2223 () B	"	0.022 (223)	"	"	"	"	"	"	"	
" 2273 () B	"	0.027 (273)	"	"	"	"	"	"	"	
" 2333 () B	"	0.033 (333)	"	"	"	"	"	"	"	
" 2393 () B	"	0.039 (393)	"	4.5	7.4	"	"	"	"	
" 2473 () B	"	0.047 (473)	"	"	"	"	"	"	"	
" 2563 () B	"	0.056 (563)	"	4.7	7.7	"	"	"	"	
" 2683 () B	"	0.068 (683)	"	5.1	8.0	"	"	"	"	
" 2823 () B	"	0.082 (823)	"	5.4	8.6	"	"	"	"	
" 2104 () B	"	0.1 (104)	"	5.9	9.0	"	"	"	"	
" 2124 () B	"	0.12 (124)	"	5.7	10.6	"	"	"	"	
" 2154 () B	"	0.15 (154)	"	6.3	11.2	"	"	"	"	
" 2184 () B	"	0.18 (184)	10.3	5.0	9.7	7.5	"	"	"	
" 2224 () B	"	0.22 (224)	"	5.4	10.1	"	"	"	"	
" 2274 () B	"	0.27 (274)	"	5.9	10.8	"	"	"	"	
" 2334 () B	"	0.33 (334)	"	6.4	11.3	"	"	"	"	
" 2394 () B	"	0.39 (394)	12.3	5.7	10.9	10.0	"	0.6	"	
" 2474 () B	"	0.47 (474)	"	6.2	11.4	"	"	"	"	
" 2564 () B	"	0.56 (564)	"	6.7	11.9	"	"	"	"	
" 2684 () B	"	0.68 (684)	"	7.3	12.7	"	"	"	"	
" 2824 () B	"	0.82 (824)	15.3	6.3	13.3	12.5	"	"	2	
" 2105 () B	"	1.0 (105)	"	7.0	14.0	"	"	"	"	
" 2125 () B	"	1.2 (125)	"	7.6	14.6	"	"	"	"	
" 2155 () B	"	1.5 (155)	"	8.6	15.7	"	"	"	"	
" 2185 () B	"	1.8 (185)	20.8	7.6	14.6	17.5	"	0.8	"	
" 2225 () B	"	2.2 (225)	"	8.4	15.6	"	"	"	"	
" 2275 () B	"	2.7 (275)	"	9.3	16.7	"	"	"	"	
" 2335 () B	"	3.3 (335)	"	10.5	17.9	"	"	"	"	
" 2395 () B	"	3.9 (395)	"	10.8	19.8	"	"	"	"	
" 2475 () B	"	4.7 (475)	"	11.9	21.0	"	"	"	"	

TOL. SYMBOL (J or K)

ITEM CODE NUMBER STRUCTURE



CONSTRUCTION

The capacitor is of non-inductive construction, wound with metallized polyester film dielectric.
The capacitor is enclosed in non-combustible epoxy resin and has two leads.

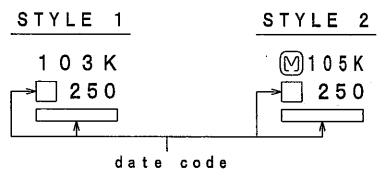
MARKING

Marking comprises capacitance, capacitance tolerance, rated voltage, manufacturer's trademark (STYLE 2 only) and date code.

PROPERTIES

- Capacitance: See table at 1kHz.
- Capacitance tolerance: $\pm 5\%$ (J), $\pm 10\%$ (K) at 1kHz.
- Rated voltage: 250VDC Δ (Derating of rated voltage by 1.25%/°C at more than 85°C)
- Withstand voltage (terminal-terminal): 250VDCx150% for 60s
- Insulation resistance: $\geq 9000M\Omega$ ($C \leq 0.33\mu F$) at 100VDC, 20°C for 60s; $\geq 3000M\Omega \cdot \mu F$ ($C > 0.33\mu F$) at 100VDC, 20°C for 60s
- Dissipation factor: $\leq 1.0\%$ at 1kHz, 20°C
- Category temperature range: Δ From -40°C to +105°C (including temperature rise on unit surface)

MARKING EXAMPLE



ALTERATION		
ISSUE	DESCRIPTION	DATE
Δ	Company name changed	Oct. 1 2004
Δ	Company name changed	Apr. 1 2005
Δ	Company name changed	Apr. 1 2006
Δ	Correction: category temperature range (-40°C~+85°C~+105°C) Addition: rated voltage (Derating of rated voltage by 1.25%/°C at more than 85°C) Company name changed	Apr. 1 2008
Δ	Company name changed	Apr. 1 2012
Δ	Company name changed	Apr. 1 2013
Δ	Company name changed	Apr. 1 2015

SPECIFICATIONS No.

Reference

DESIGN	<i>Shinichi Nakamura</i>
CHECKED	<i>K. Osaki</i>
APPROVAL	<i>Y. Takata</i>
ESTABLISHMENT	Jun. 15. 1999
TYPE NAME	
ECQE2*** () B	
NAME Metallized Polyester Film Capacitor	
DRAWING NAME	
PRODUCT DRAWING	
DRAWING No.	
CT-H-A38E (1/1)	

Toyama-Matsua Plant
Device Solutions Business Division
Panasonic Corporation