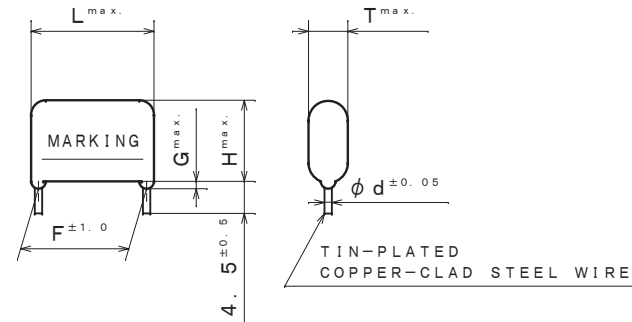


ITEM CODE	RATED VOLTAGE	CAP. (μ F)	DIMENSIONS						MARKING STYLE
			L	T	H	F	G	d	
ECQE1A103 () BZ	125VAC	0.01	7.9	4.2	7.1	5.0	1.0	0.5	1
" 1A123 () BZ	"	0.012	"	"	"	"	"	"	"
" 1A153 () BZ	"	0.015	"	"	"	"	"	"	"
" 1A183 () BZ	"	0.018	"	4.3	7.2	"	"	"	"
" 1A223 () BZ	"	0.022	"	"	"	"	"	"	"
" 1A273 () BZ	"	0.027	"	"	"	"	"	"	"
" 1A333 () BZ	"	0.033	"	"	"	"	"	"	"
" 1A393 () BZ	"	0.039	"	4.5	7.4	"	"	"	"
" 1A473 () BZ	"	0.047	"	4.8	7.7	"	"	"	"
" 1A563 () BZ	"	0.056	"	5.1	8.0	"	"	"	"
" 1A683 () BZ	"	0.068	"	5.4	8.6	"	"	"	"
" 1A823 () BZ	"	0.082	10.3	4.6	7.6	7.5	"	"	"
" 1A104 () BZ	"	0.1	"	5.1	7.7	"	"	"	"
" 1A124 () BZ	"	0.12	"	5.3	8.4	"	"	"	"
" 1A154 () BZ	"	0.15	"	5.7	8.9	"	"	"	"
" 1A184 () BZ	"	0.18	"	5.6	10.3	"	"	"	"
" 1A224 () BZ	"	0.22	"	6.1	11.0	"	"	"	"
" 1A274 () BZ	"	0.27	12.3	5.4	10.7	10.0	"	0.6	"
" 1A334 () BZ	"	0.33	"	5.9	11.2	"	"	"	"
" 1A394 () BZ	"	0.39	"	6.4	11.6	"	"	"	"
" 1A474 () BZ	"	0.47	"	7.0	12.2	"	"	"	"
" 1A564 () BZ	"	0.56	"	6.7	11.9	"	"	"	"
" 1A684 () BZ	"	0.68	"	7.3	12.7	"	"	"	"
" 1A824 () BZ	"	0.82	15.3	6.3	13.3	12.5	"	"	2
" 1A105 () BZ	"	1.0	"	7.0	14.0	"	"	"	"
" 1A125 () BZ	"	1.2	20.8	7.1	14.1	17.5	"	0.8	"
" 1A155 () BZ	"	1.5	"	8.0	15.1	"	"	"	"
" 1A185 () BZ	"	1.8	"	8.7	15.9	"	"	"	"
" 1A225 () BZ	"	2.2	"	9.7	17.1	"	"	"	"
" 1A275 () BZ	"	2.7	"	10.9	18.2	"	"	"	"
" 1A335 () BZ	"	3.3	25.8	9.6	18.7	22.5	"	"	"
" 1A395 () BZ	"	3.9	"	10.6	19.7	"	"	"	"
" 1A475 () BZ	"	4.7	"	11.8	20.8	"	"	"	"

TOL. SYMBOL (J or K or M)



CONSTRUCTION

The capacitor is of non-inductive construction, wound with metallized polyester film dielectric.
The capacitor is enclosed in non-combustible epoxy resin and has two leads.

MARKING

Marking comprises capacitance, capacitance tolerance, rated voltage, manufacturer's trademark (STYLE 2 only) and date code.

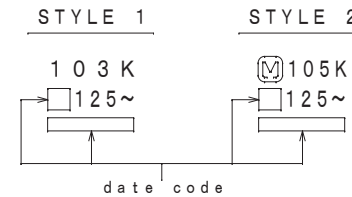
PROPERTIES

- *Capacitance : See table at 1kHz
- *Capacitance tolerance : $\pm 5\%$ (J), $\pm 10\%$ (K), $\pm 20\%$ (M) at 1kHz
- *Rated voltage : 125VAC
- *Withstand voltage (terminal-terminal) : 125VAC \times 230% for 60s
- (terminal-enclosure) : 1500VAC for 60s
- *Insulation resistance : $\geq 2000\text{M}\Omega$ ($C \leq 0.47\mu\text{F}$) at 500VDC, 20°C for 60s
- : $\geq 3000\text{M}\Omega \cdot \mu\text{F}$ ($C > 0.47\mu\text{F}$) at 100VDC, 20°C for 60s
- *Dissipation factor : $\leq 1.0\%$ at 1kHz, 20°C
- *Category temperature range : Δ From -40°C to +105°C (including temperature rise on unit surface)

DO NOT SCALE DRAWING REVISIONS INDICATED BY Δ ALL DIMENSIONS ARE IN MILLIMETERS

ALTERATION		
ISSUE	DESCRIPTION	DATE
Δ	Change: category temperature range (-40°C~+85°C~-40°C~+105°C)	Dec. 13 2010
Δ	Company name changed	Apr. 1 2012
Δ	Company name changed	Apr. 1 2013
Δ	Company name changed	Apr. 1 2015
Δ	Company name changed	Apr. 1 2022
SPECIFICATIONS No.		

MARKING EXAMPLE



DESIGN	M. MEKADA
CHECK	S. JOA
APPROVAL	T. KATO
ESTABLISHMENT	Oct. 1, 2010
TYPE NAME	ECQE1A*** () BZ
NAME	Metallized Polyester Film Capacitor
DRAWING NAME	PRODUCT DRAWING
DRAWING No.	0039M-J-E (1/1)

Film Capacitor Business Unit
Device Solutions Business Division
Panasonic Industry Co., Ltd.