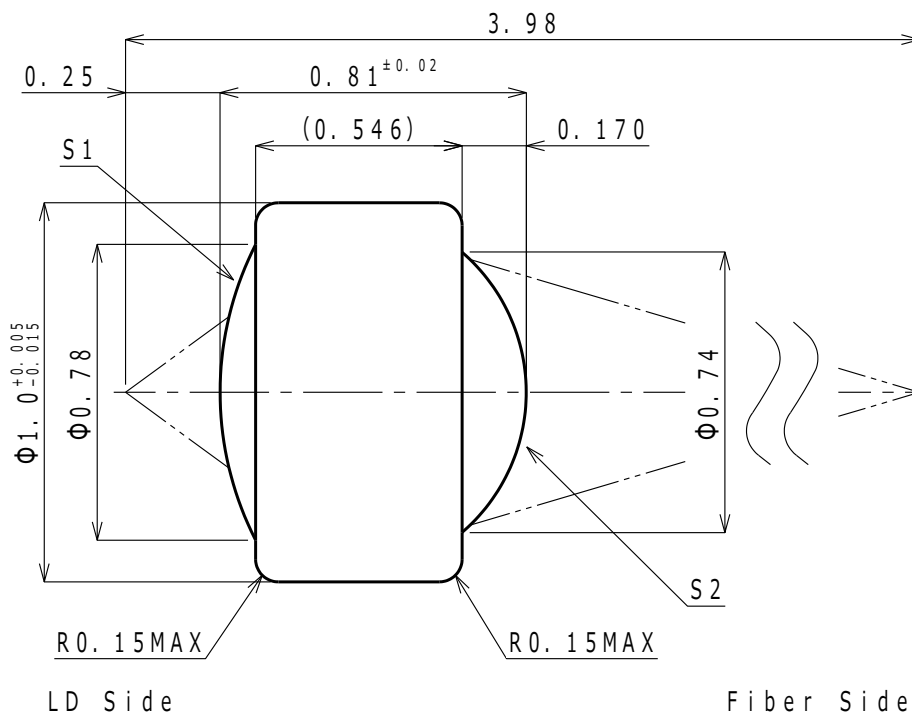


Product No. : EYLGUFB508A

◆ **Dimensions**



◆ **Optical Characteristics**

	Items	Unit	Design
1	Design wavelength	nm	1310
2	Focal length	mm	0.55
3	Numerical aperture	S1	0.58
4		S2	0.11
5	Magnification		×5.1
6	Working distance	mm	0.25
7	Conjugate distance	mm	3.98
8	Effective diameter	S1	Φ0.40
9		S2	Φ0.70
10	Beam Diameter	mm	
11	Transmittance (at 1260-1625 nm)	%	> 97
12	Wavefront aberration	λ_{rms}	≤0.035
Remarks:			

◆ **Materials**

Glass material	K-VC79
Barrel material	