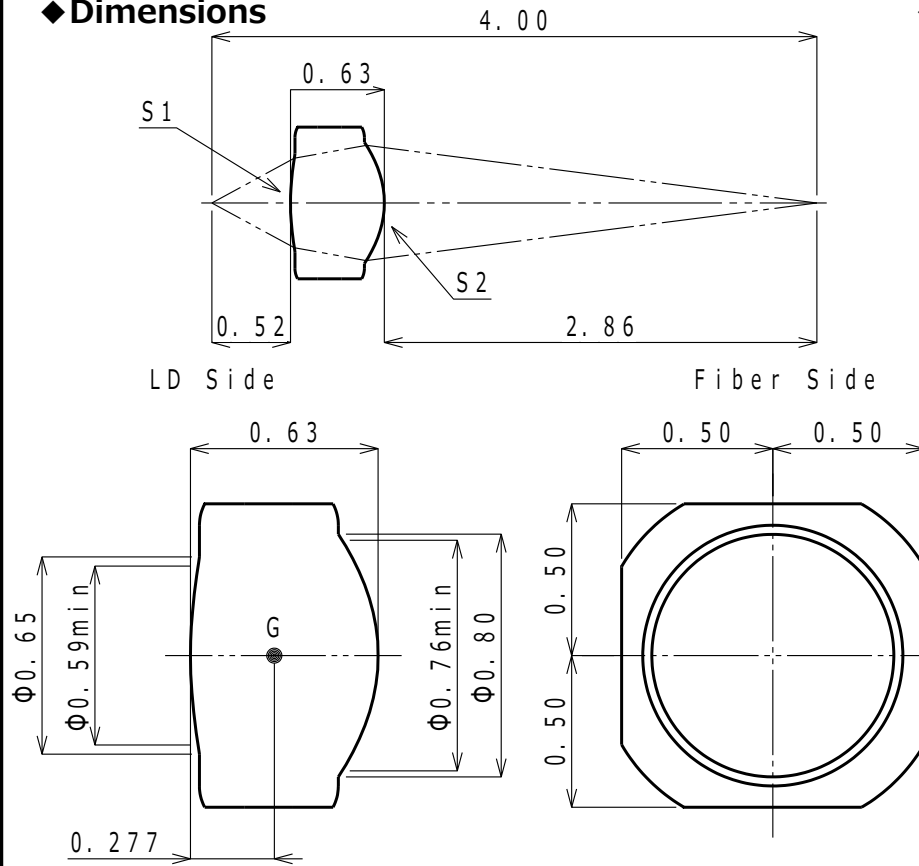


Product No. : EYLGUFB506A

◆ Dimensions



◆ Optical Characteristics

	Items	Unit	Design
1	Design wavelength	nm	1310
2	Focal length	mm	0.63
3	Numerical aperture	S1	0.45
4		S2	0.12
5	Magnification		×3.7
6	Working distance	mm	0.52
7	Conjugate distance	mm	4.00
8	Effective diameter	S1	$\Phi 0.59$
9		S2	$\Phi 0.76$
10	Beam Diameter	mm	
11	Transmittance (at 1260-1625 nm)	%	> 97
12	Wavefront aberration	$\lambda_{rms}$	$\leq 0.040$
Remarks:			

◆ Materials

Glass material	K-VC89
Barrel material	