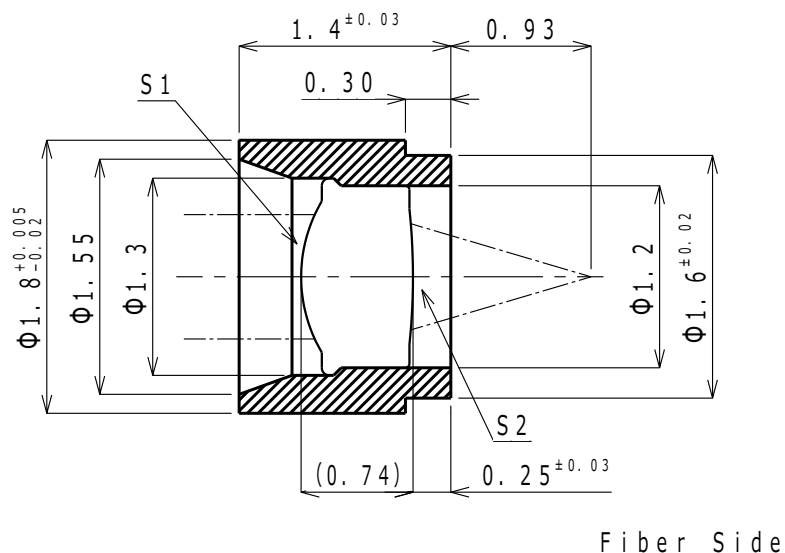


Product No. : EYLGFW479A

◆ Dimensions



◆ Optical Characteristics

	Items	Unit	Design
1	Design wavelength	nm	1550
2	Focal length	mm	1.59
3	Numerical aperture	S1	/
4		S2	
5	Magnification	/	/
6	Working distance	mm	0.93
7	Conjugate distance	mm	/
8	Effective diameter	S1	Φ0.82
9		S2	Φ0.70
10	Beam Diameter	mm	Φ0.26
11	Transmittance (at 1260-1650 nm)	%	> 97
12	Wavefront aberration	λ_{rms}	≤ 0.035
Remarks:			

◆ Materials

Glass material	K-PBK40
Barrel material	SF20F