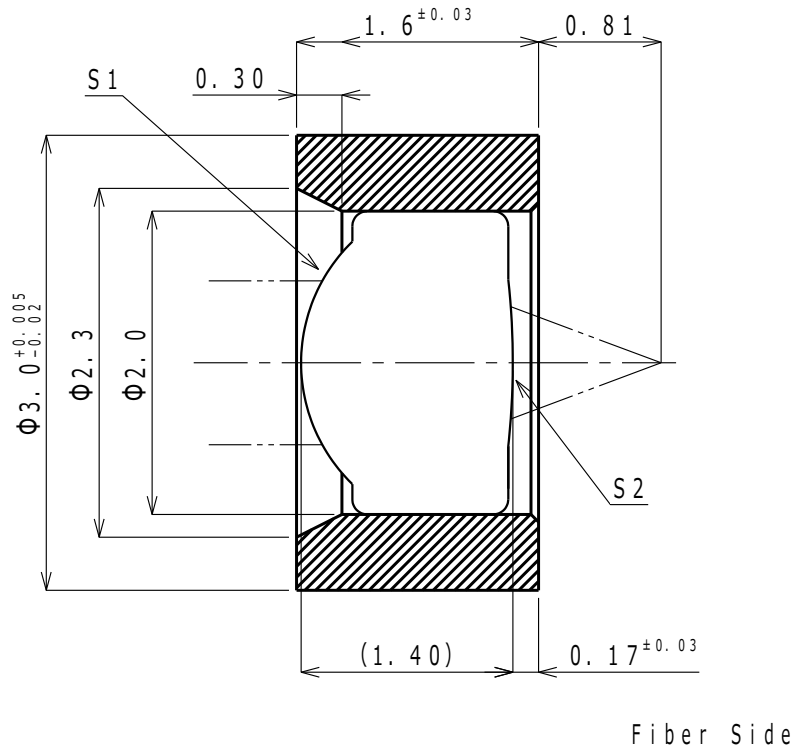


Product No. : EYLGFW192WR

◆ Dimensions



◆ Optical Characteristics

	Items	Unit	Design
1	Design wavelength	nm	1550
2	Focal length	mm	1.81
3	Numerical aperture	S1	0.30
4		S2	
5	Magnification		
6	Working distance	mm	0.81
7	Conjugate distance	mm	
8	Effective diameter	S1	Φ1.08
9		S2	Φ0.73
10	Beam Diameter	mm	Φ0.36
11	Transmittance (at 1260-1650 nm)	%	> 97
12	Wavefront aberration	$\lambda_{rms}$	$\leq 0.035$
Remarks:			

◆ Materials

Glass material	K-PBK40
Barrel material	SF20F