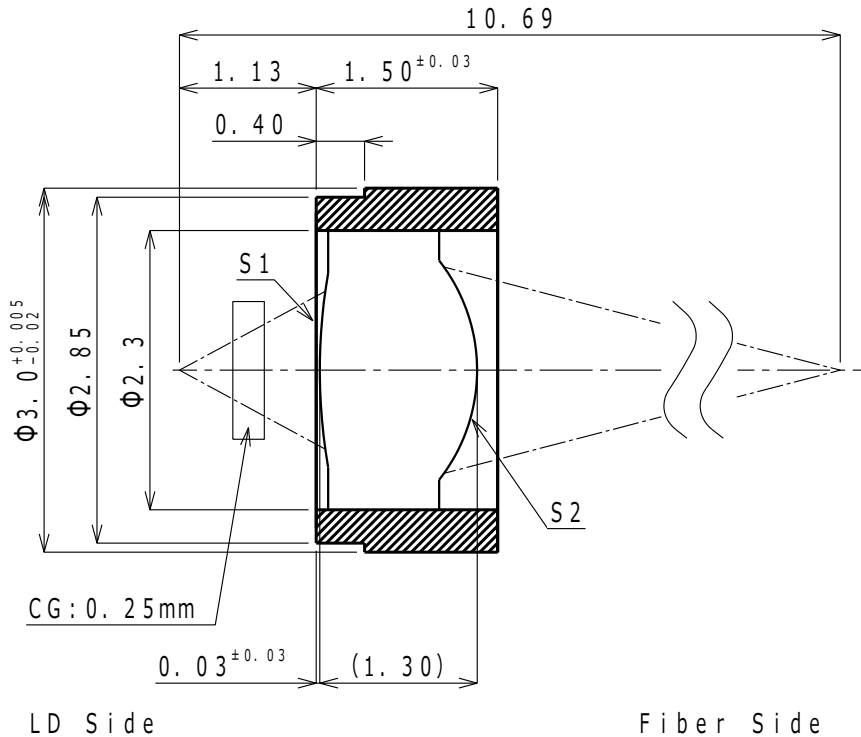


Product No. : EYLGMB240BR

◆ Dimensions



◆ Optical Characteristics

	Items	Unit	Design
1	Design wavelength	nm	1310
2	Focal length	mm	1.40
3	Numerical aperture	S1	0.50
4		S2	0.10
5	Magnification		×5.0
6	Working distance	mm	1.13
7	Conjugate distance	mm	10.69
8	Effective diameter	S1	Φ1.31
9		S2	Φ1.70
10	Beam Diameter	mm	
11	Transmittance (at 1260-1625 nm)	%	> 97
12	Wavefront aberration	λ_{rms}	≤ 0.035
Remarks:			

◆ Materials

Glass material	K-VC89
Barrel material	SF20F