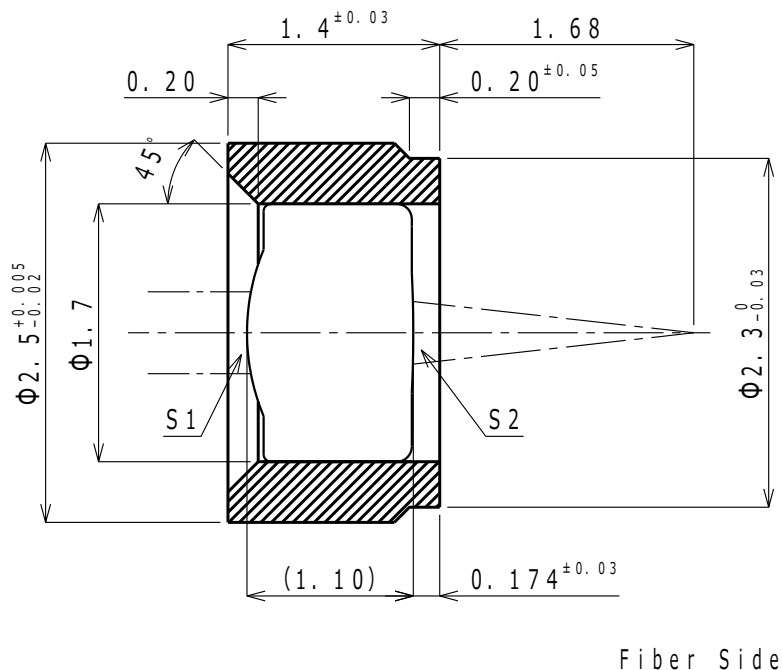


Product No. : EYLGFW135DR

◆ **Dimensions**



◆ **Optical Characteristics**

	Items	Unit	Design
1	Design wavelength	nm	1550
2	Focal length	mm	2.51
3	Numerical aperture	S1	0.20
4		S2	
5	Magnification		
6	Working distance	mm	1.68
7	Conjugate distance	mm	
8	Effective diameter	S1	$\Phi 1.04$
9		S2	$\Phi 0.80$
10	Beam Diameter	mm	$\Phi 0.50$
11	Transmittance (at 1260-1650 nm)	%	> 97
12	Wavefront aberration	λ_{rms}	≤ 0.035

Remarks:

◆ **Materials**

Glass material	K-PBK40
Barrel material	SF20F