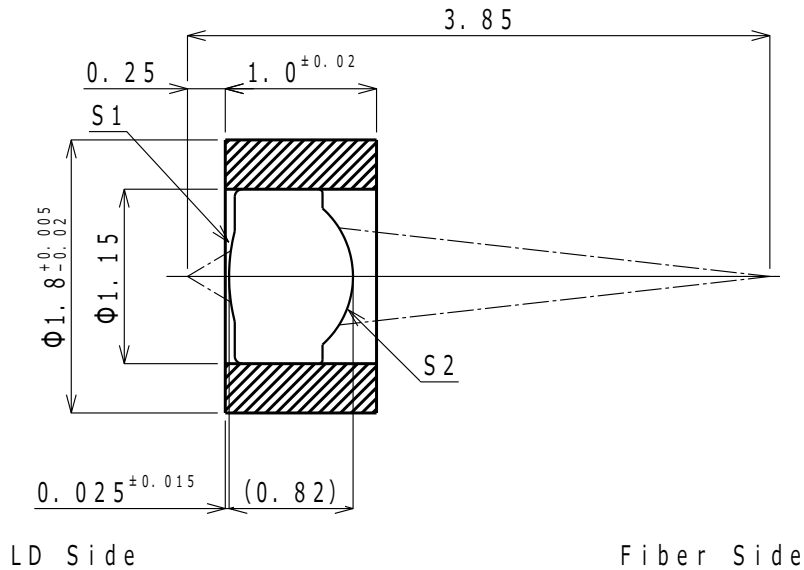


Product No. : EYLGMB456R

◆ **Dimensions**



◆ **Optical Characteristics**

	Items	Unit	Design	
1	Design wavelength	nm	1310	
2	Focal length	mm	0.54	
3	Numerical aperture	S1	0.50	
4		S2	0.11	
5	Magnification		×4.5	
6	Working distance	mm	0.25	
7	Conjugate distance	mm	3.85	
8	Effective diameter	S1	mm	φ0.34
9		S2	mm	φ0.64
10	Beam Diameter	mm		
11	Transmittance (at 1260-1625 nm)	%	> 97	
12	Wavefront aberration	λ_{rms}	≤ 0.035	
Remarks:				

◆ **Materials**

Glass material	K-VC89
Barrel material	SF20F