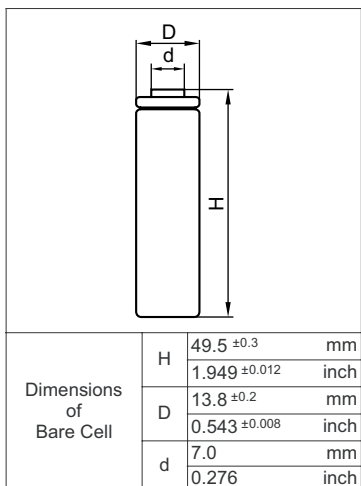


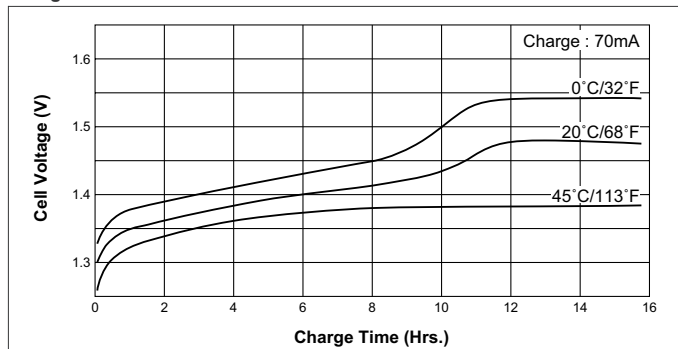
Cell Type N-700AAC Specifications



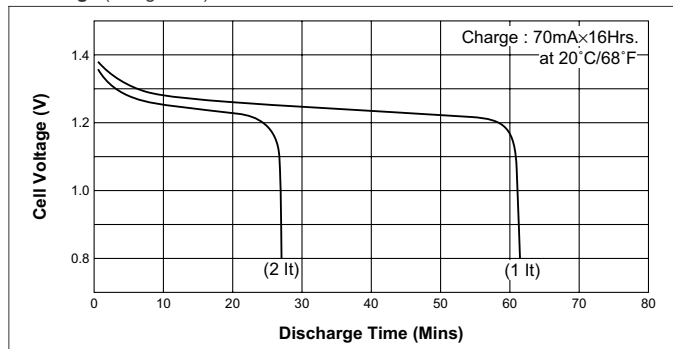
| | | | |
|---|-----------|--|---------------------------------|
| Nominal Capacity | | 700mAh | |
| Nominal Voltage | | 1.2V | |
| Charging Current | Standard | 70mA | |
| | Quick | 210mA | |
| | Fast | 1050mA | |
| Charging Time | Standard | 14 to 16Hrs. | |
| | Quick | 4 to 6Hrs. | |
| | Fast | about 1Hr. | |
| Ambient Temperature | Charge | Standard | 0°C to +45°C [+32°F to 113°F] |
| | | Quick | 10°C to +45°C [+50°F to 113°F] |
| | | Fast | 0°C to +45°C [+32°F to 113°F] |
| | Discharge | | -20°C to +60°C [-4°F to 140°F] |
| | Storage | | -30°C to +50°C [-22°F to 122°F] |
| Internal Impedance (Av.) (at 50% discharge) | | 16.0mΩ (at 1000Hz) | |
| Weight | | 23g/0.81oz | |
| Dimensions(D)×(H) (with tube) | | 14.3 ⁰ _{-0.5} × 50.2 ⁰ ₋₁ mm | |
| | | 0.56 ⁰ _{-0.02} × 1.98 ⁰ _{-0.04} inch | |

Typical Characteristics

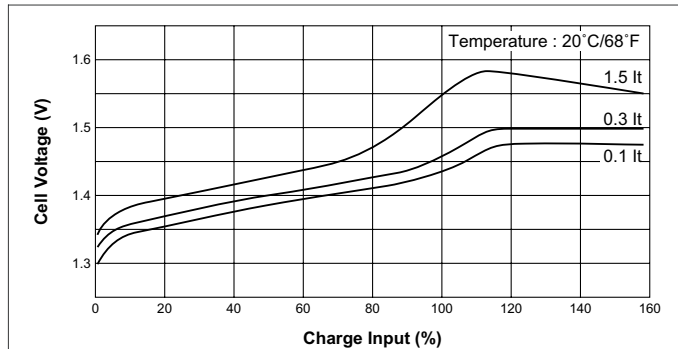
Charge



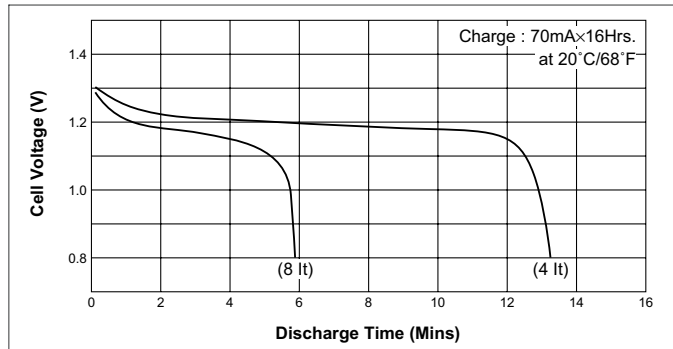
Discharge (at high rate)



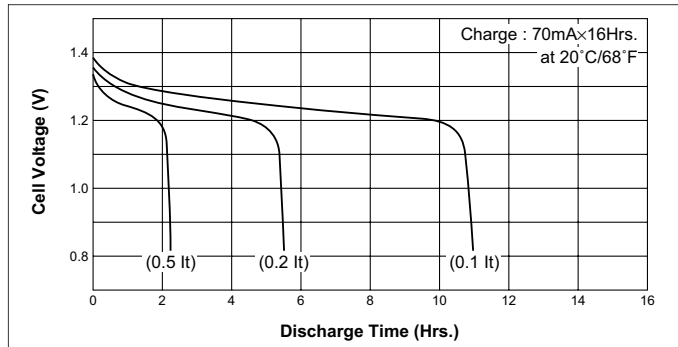
Charge



Discharge (at high rate)



Discharge (at low rate)



Temperature (Charge & Discharge)

