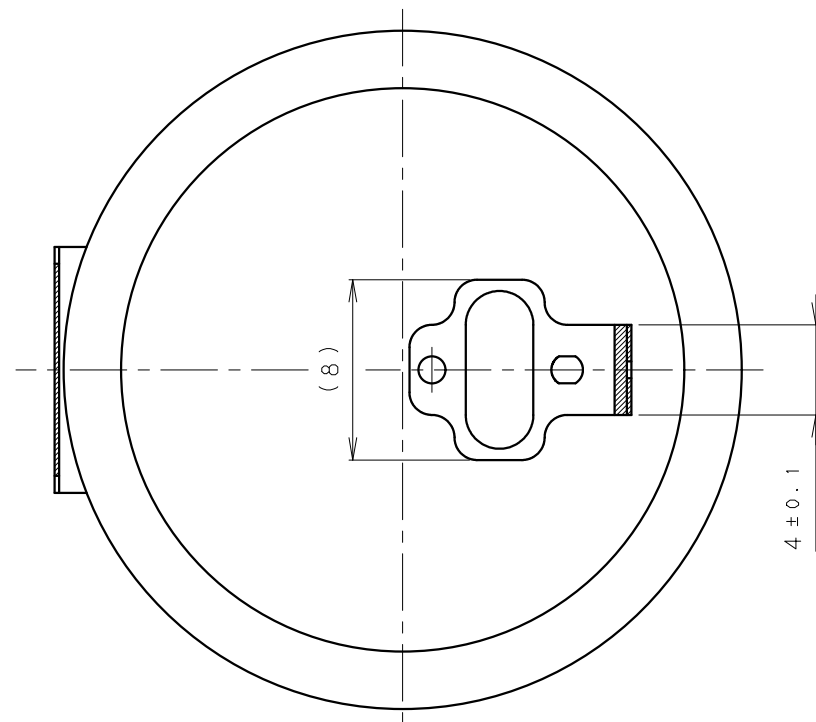
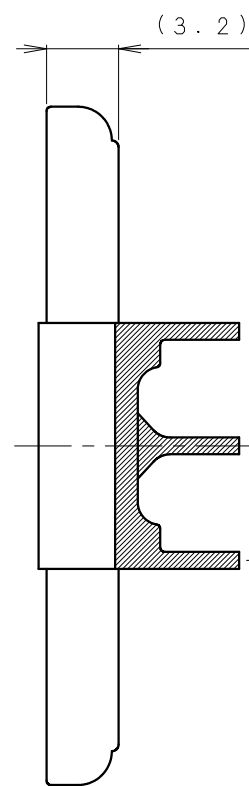
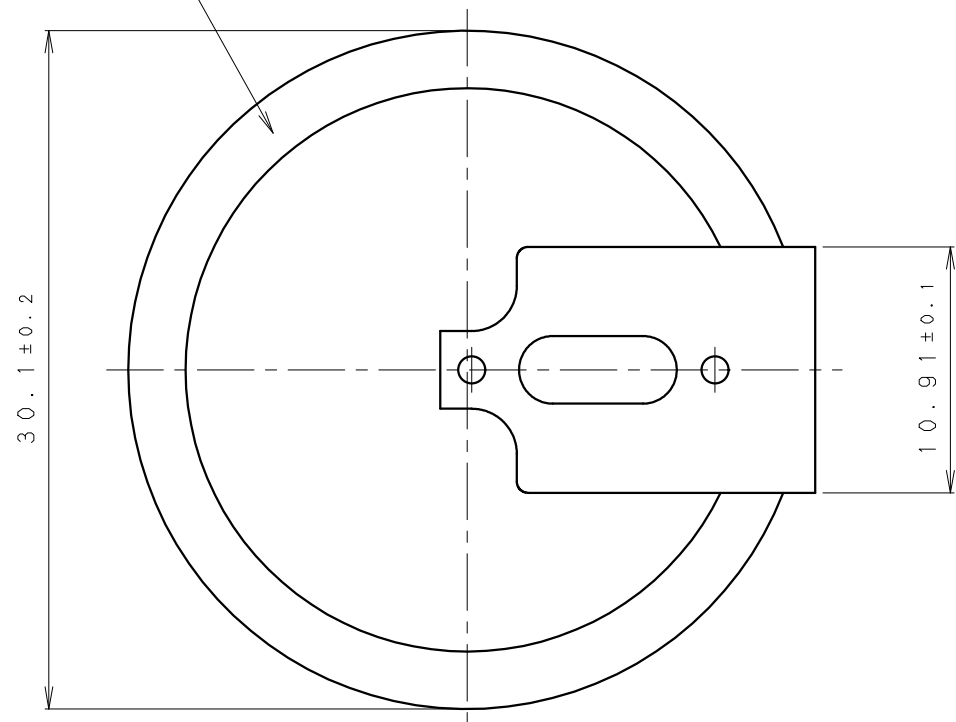
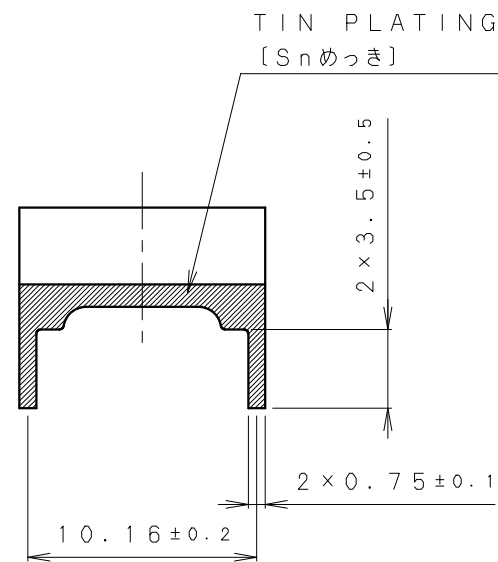
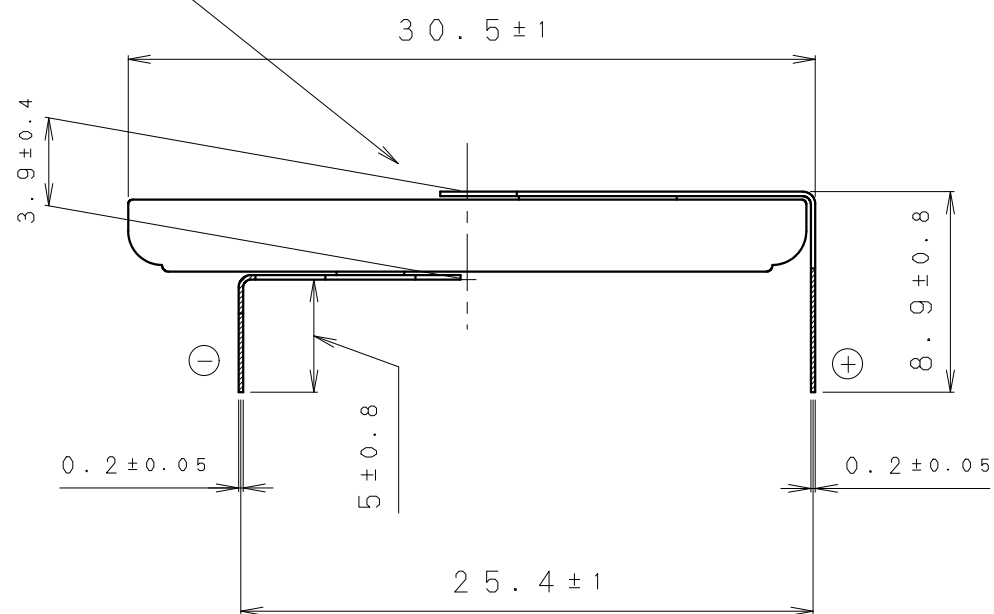
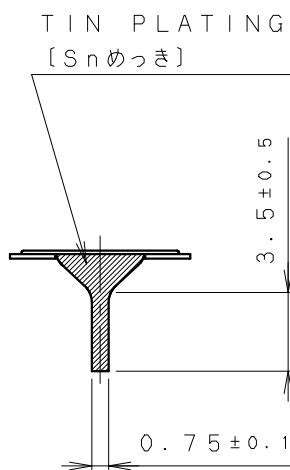


INSULATOR (BROWN)
 [絶縁チューブ (茶色)]



DATE CODE INDICATION
 ON THIS SIDE [ロット表示面]



NOTE [注記]

- TAB WELDING STRENGTH OVER 19.6N [端子溶接強度: 19.6N以上]
- TAB MATERIAL: STAINLESS STEEL WITH TIN PLATING [端子材料: 基材 ステンレス/表面 部分Snめっき]
- (): REFERENCE DIMENSION AND ANGLE (()寸法、角度は参考値)

PRODUCT NO.	VL-3032/GUFN	SCALE	3:1
DRAWING NO.	TMGA1Z	UNIT: mm	