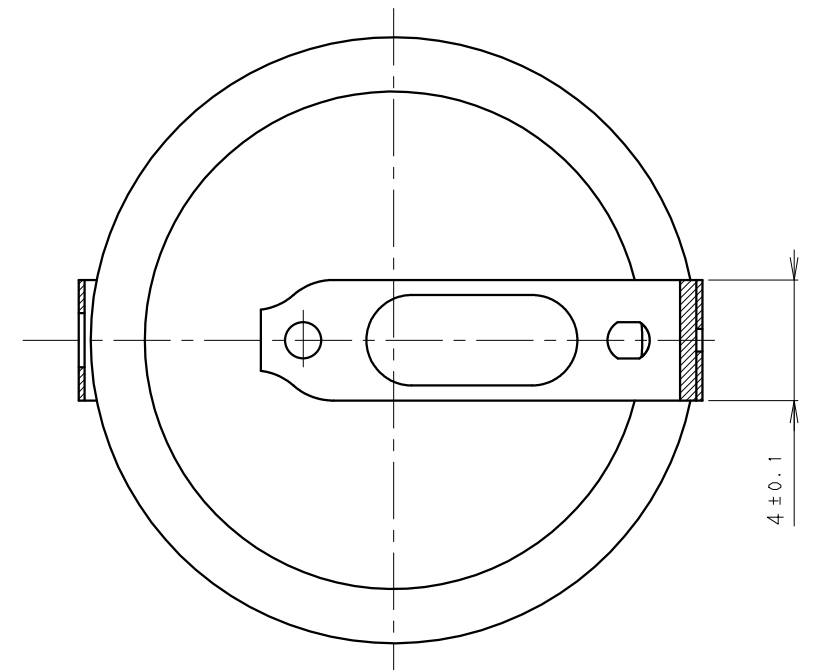
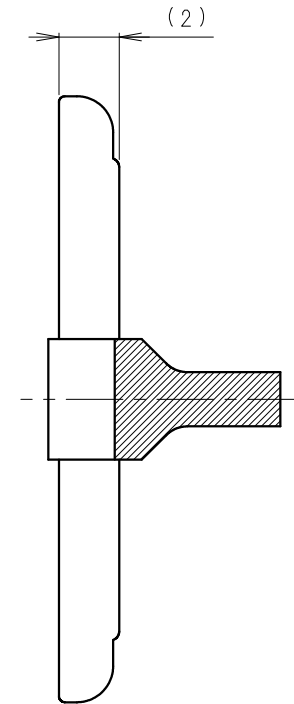
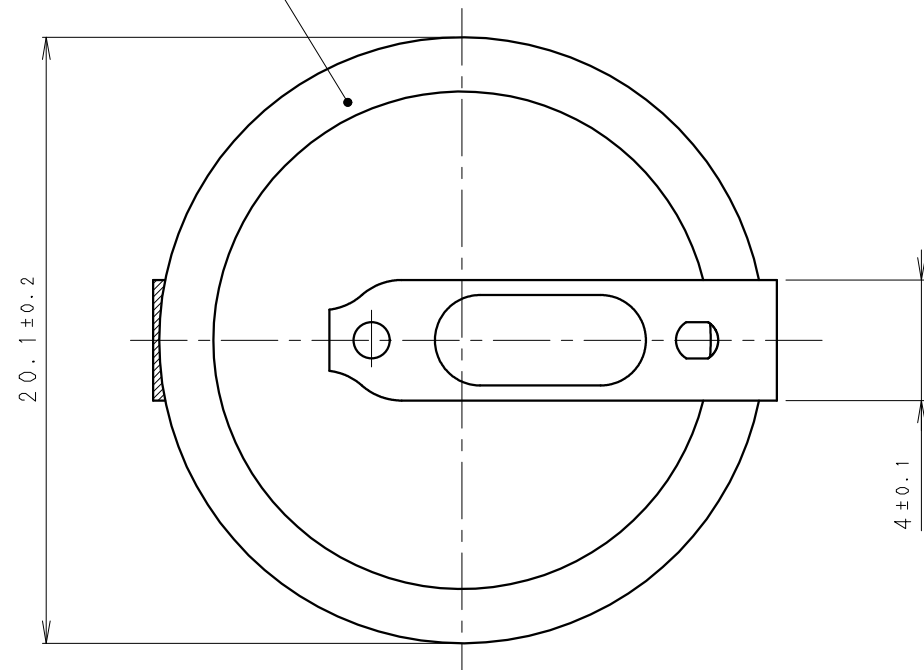
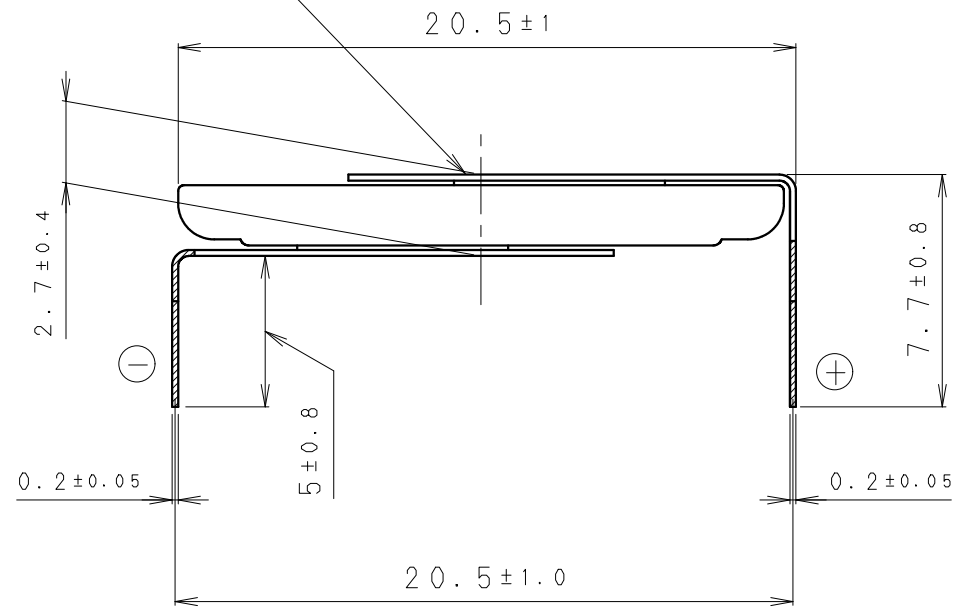
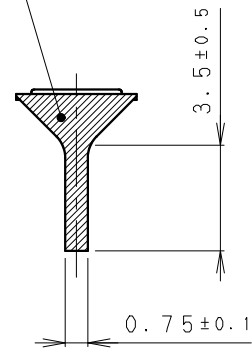


INSULATOR (BROWN)  
 [絶縁チューブ (茶色)]

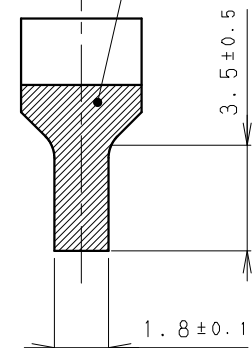


DATE CODE INDICATION  
 ON THIS SIDE [ロット表示面]

TIN PLATING  
 [Snめっき]



TIN PLATING  
 [Snめっき]



NOTE [注記]

1. TAB WELDING STRENGTH OVER 19.6N [端子溶接強度: 19.6N以上]
2. TAB MATERIAL: STAINLESS STEEL WITH TIN PLATING  
 [端子材料: 基材 ステンレス/表面 部分Snメッキ]
3. ( ): REFERENCE DIMENSION AND ANGLE [ ( ) 寸法、角度は参考値]

PRODUCT NO.	VL-2020/HFN	SCALE	4:1
DRAWING NO.	PEHA1Z	UNIT: mm	