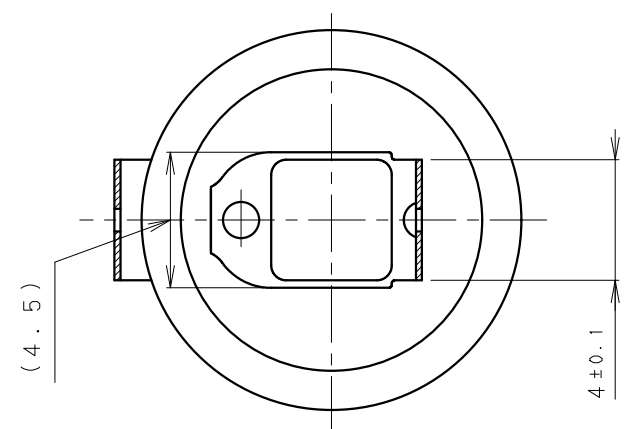
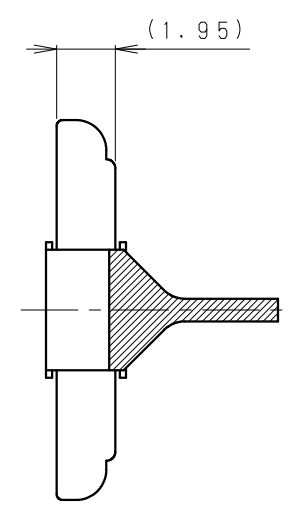
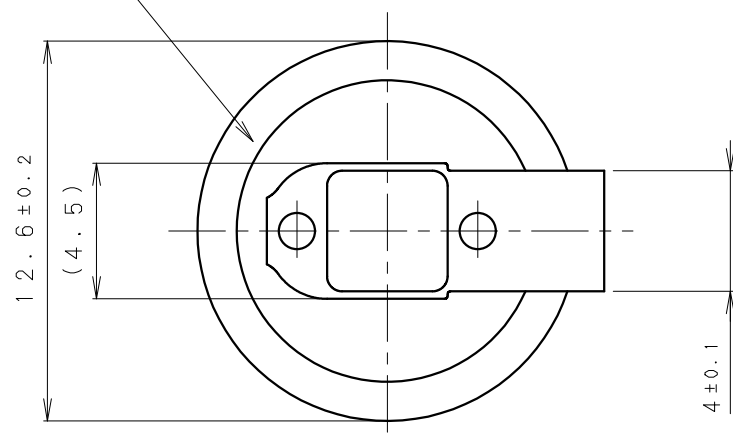
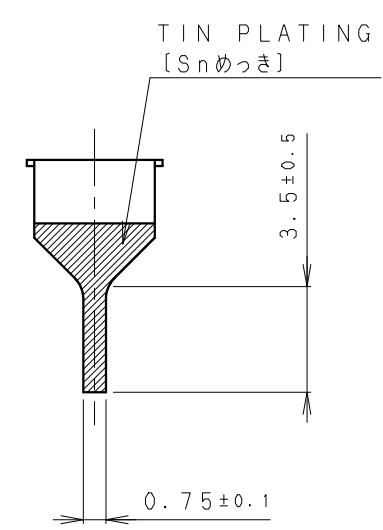
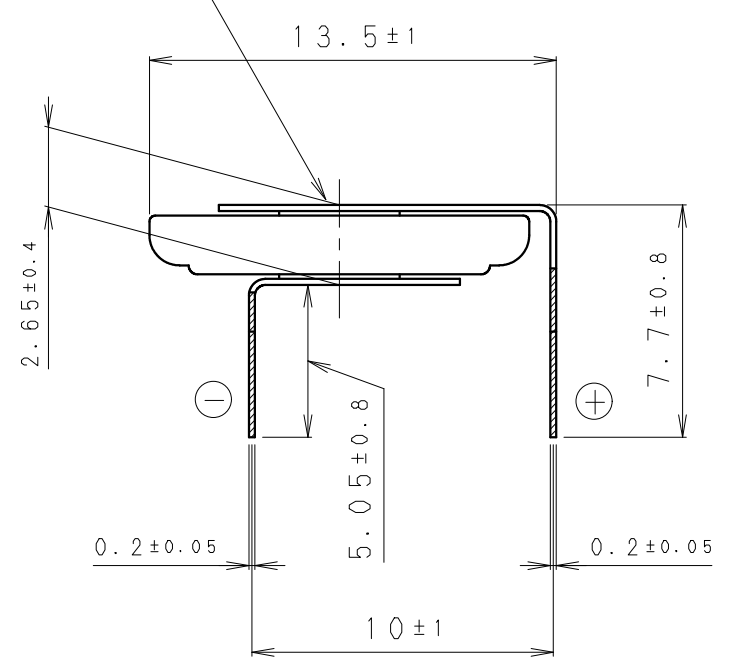
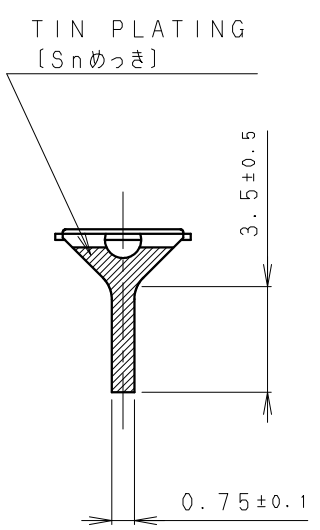


INSULATOR (BROWN)  
[絶縁チューブ (茶色)]



DATE CODE INDICATION  
ON THIS SIDE [ロット表示面]



NOTE [注記]

1. TAB WELDING STRENGTH OVER 19.6N [端子溶接強度: 19.6N以上]
2. TAB MATERIAL: STAINLESS STEEL WITH TIN PLATING [端子材料: 基材 ステンレス/表面 部分Snめっき]
3. ( ): REFERENCE DIMENSION AND ANGLE [ ( ) 寸法、角度は参考値]

|             |             |          |     |
|-------------|-------------|----------|-----|
| PRODUCT NO. | VL-1220/HFN | SCALE    | 4:1 |
| DRAWING NO. | JEHA1Z      | UNIT: mm |     |