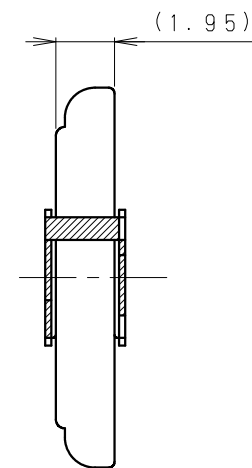
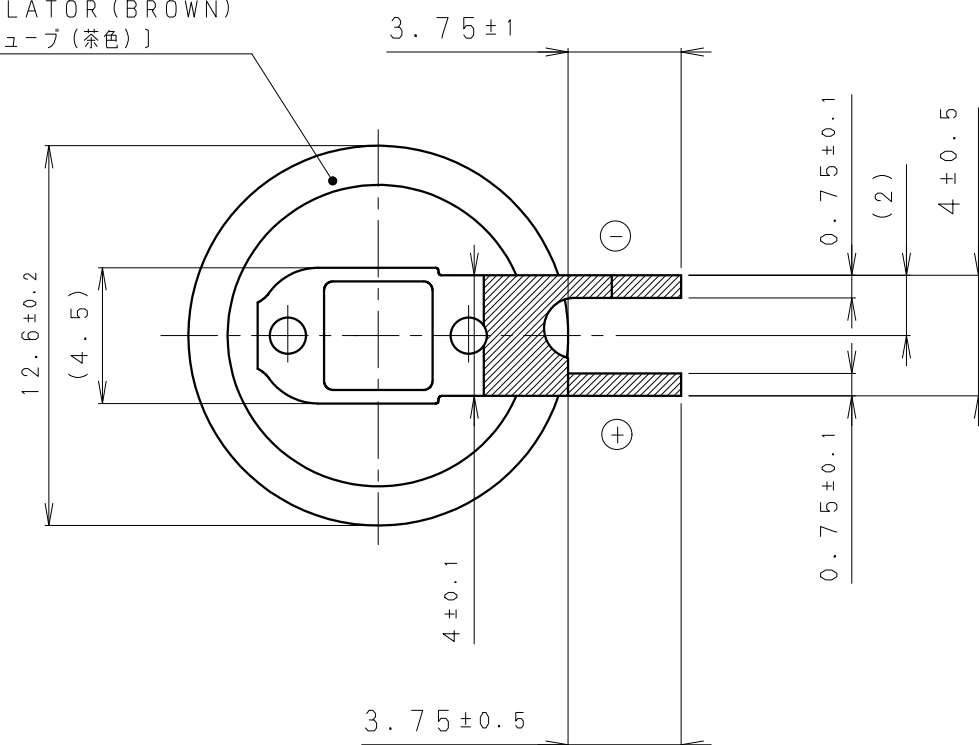
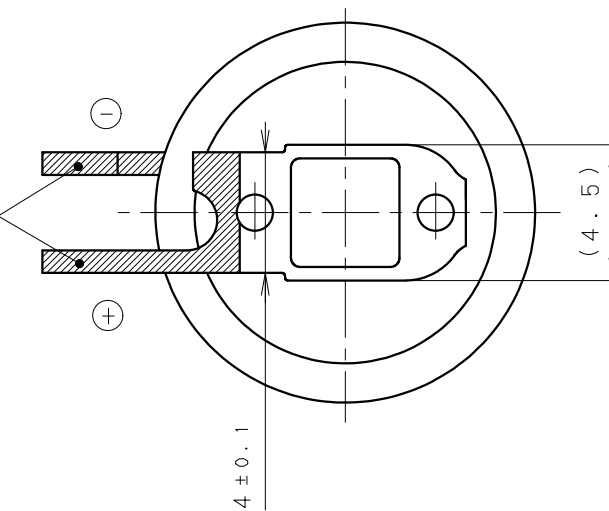


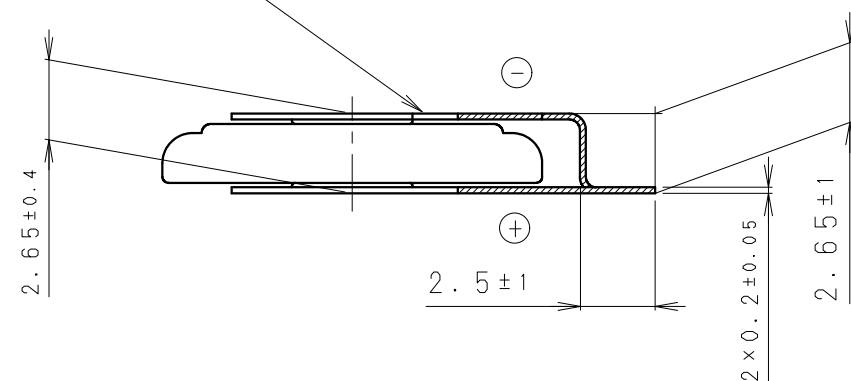
INSULATOR (BROWN)  
[絶縁チューブ (茶色)]



TIN PLATING  
[Snめっき]



DATE CODE INDICATION  
ON THIS SIDE [ロット表示面]



NOTE [注記]

1. TAB WELDING STRENGTH OVER 19.6 N [端子溶接強度: 19.6N以上]
2. TAB MATERIAL: STAINLESS STEEL WITH TIN PLATING [端子材料: 基材 ステンレス/表面 部分Snめっき]
3. ( ): REFERENCE DIMENSION AND ANGLE [ ( ) 寸法、角度は参考値]

PRODUCT NO.	VL-1220/FCN	SCALE	4:1
DRAWING NO.	JEFA6Z	UNIT: mm	