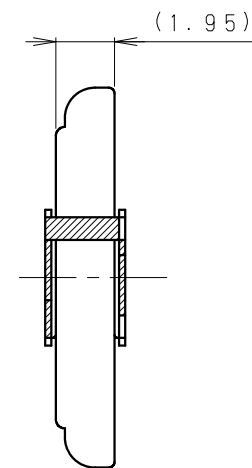
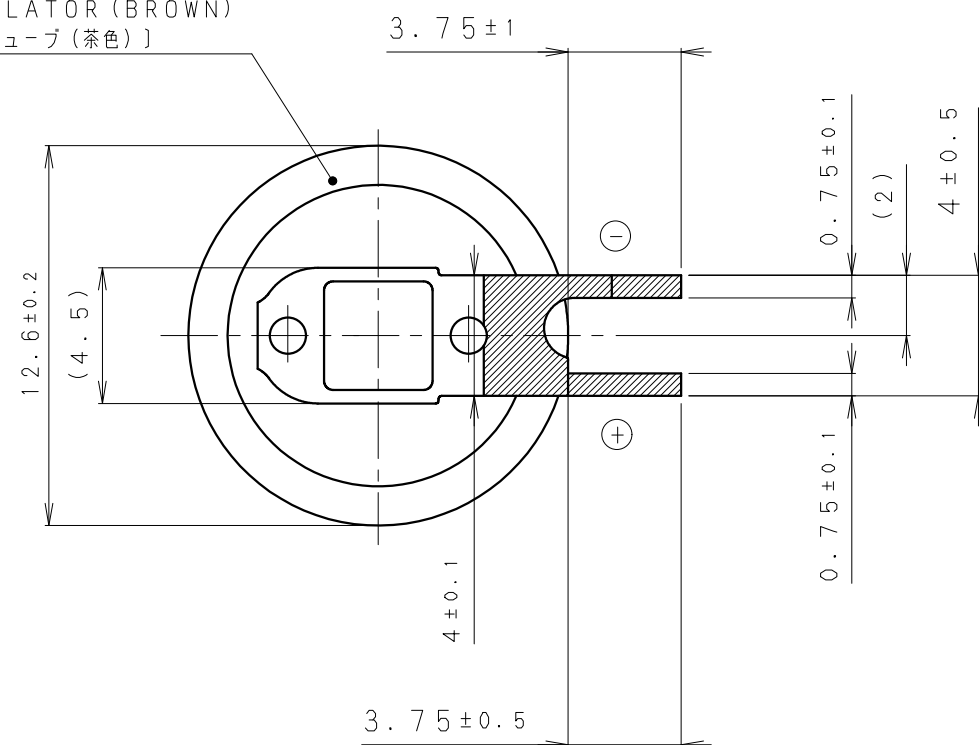
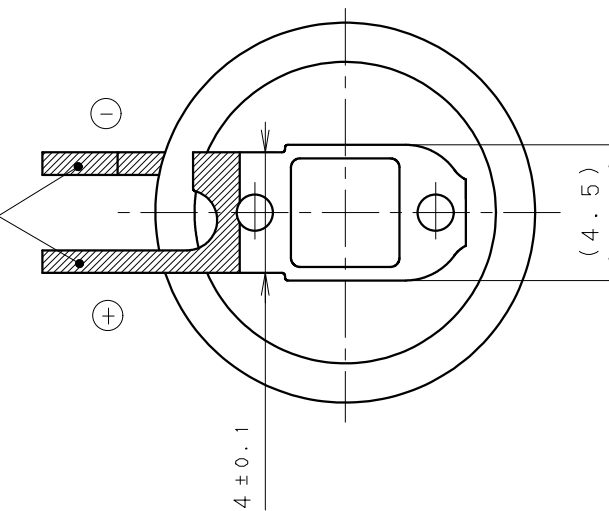


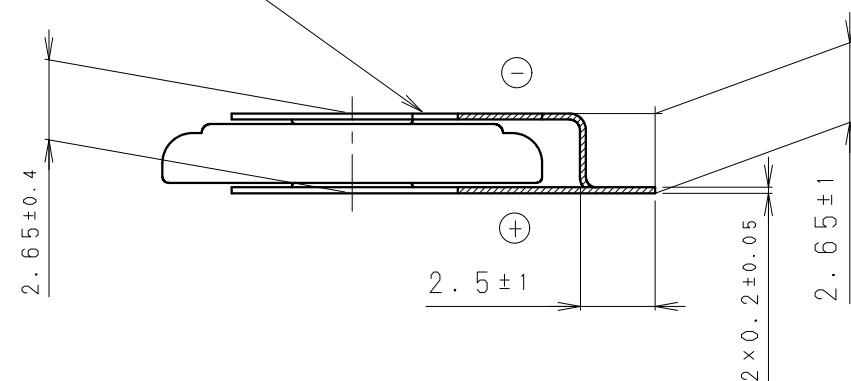
INSULATOR (BROWN)
[絶縁チューブ (茶色)]



TIN PLATING
[Snめっき]



DATE CODE INDICATION
ON THIS SIDE [ロット表示面]



NOTE [注記]

1. TAB WELDING STRENGTH OVER 19.6 N [端子溶接強度: 19.6N以上]
2. TAB MATERIAL: STAINLESS STEEL WITH TIN PLATING [端子材料: 基材 ステンレス/表面 部分Snめっき]
3. (): REFERENCE DIMENSION AND ANGLE [() 寸法、角度は参考値]

PRODUCT NO.	VL-1220/FCK	SCALE	4:1
DRAWING NO.	JEFA6Z	UNIT: mm	