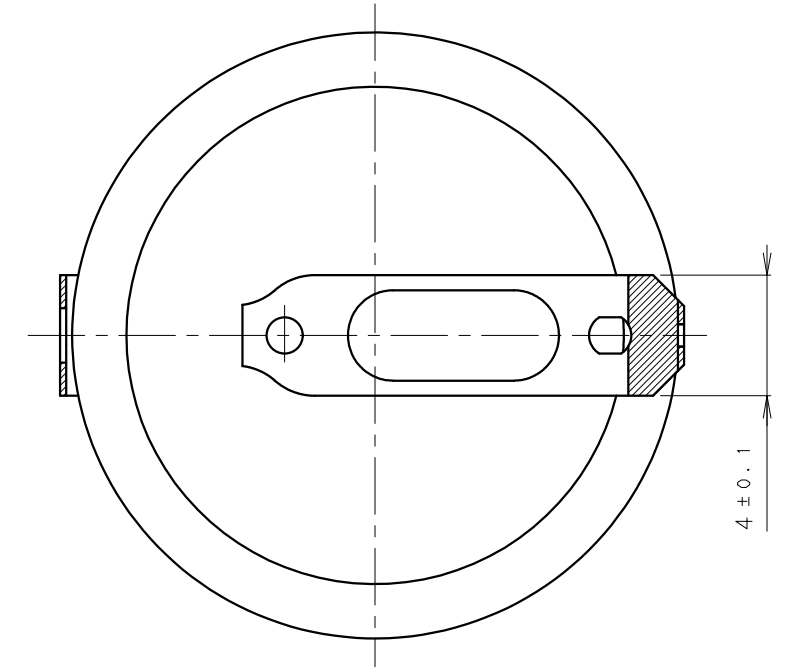
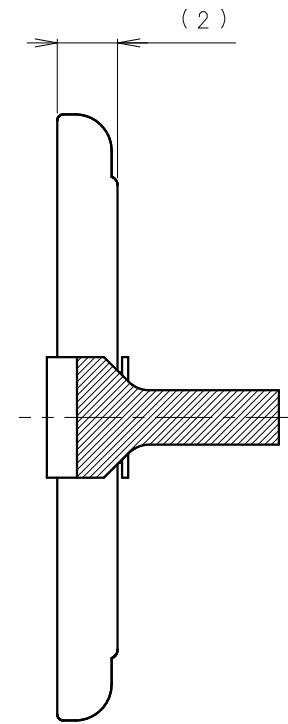
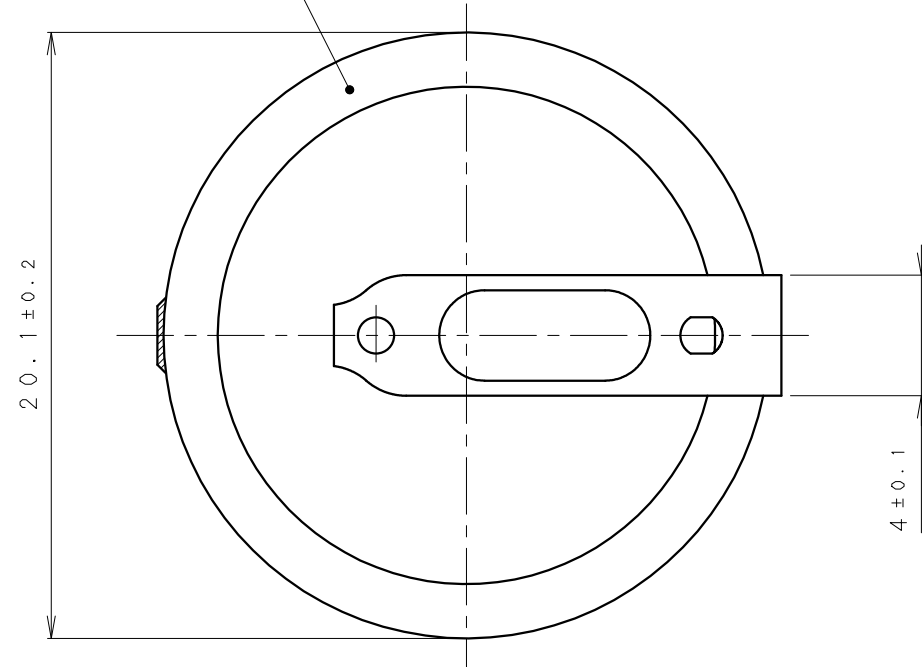
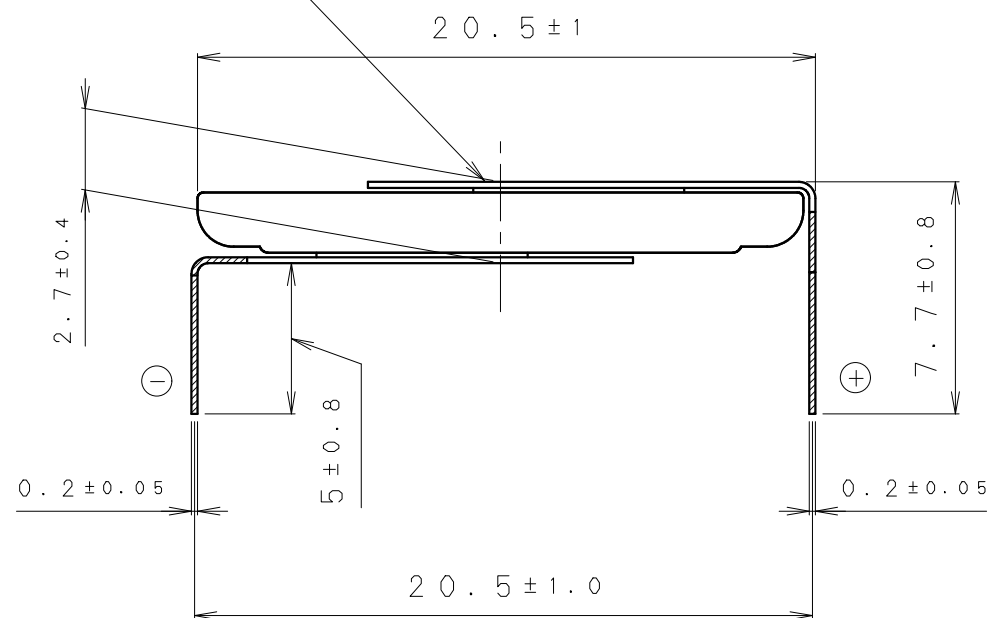
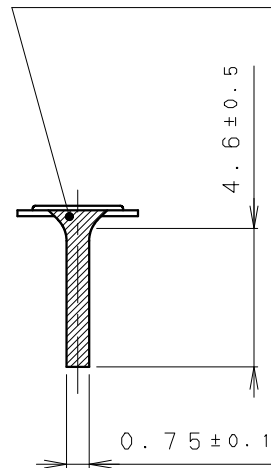


INSULATOR (LAVENDER)
 [絶縁チューブ (ラベンダー色)]

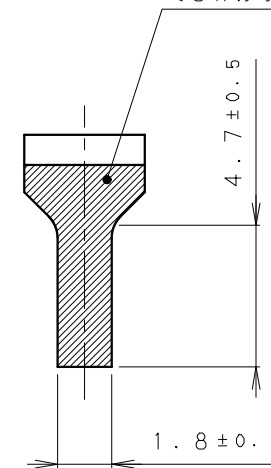


DATE CODE INDICATION
 ON THIS SIDE [ロット表示面]

TIN PLATING
 [Snめっき]



TIN PLATING
 [Snめっき]



NOTE [注記]

1. TAB WELDING STRENGTH OVER 19.6N [端子溶接強度: 19.6N以上]
2. TAB MATERIAL: STAINLESS STEEL WITH TIN PLATING [端子材料: 基材 ステンレス/表面 部分Snめっき]
3. (): REFERENCE DIMENSION AND ANGLE [() 寸法、角度は参考値]

PRODUCT NO.	ML-2020/H1BN	SCALE	4:1
DRAWING NO.	PEHD1Z	UNIT: mm	