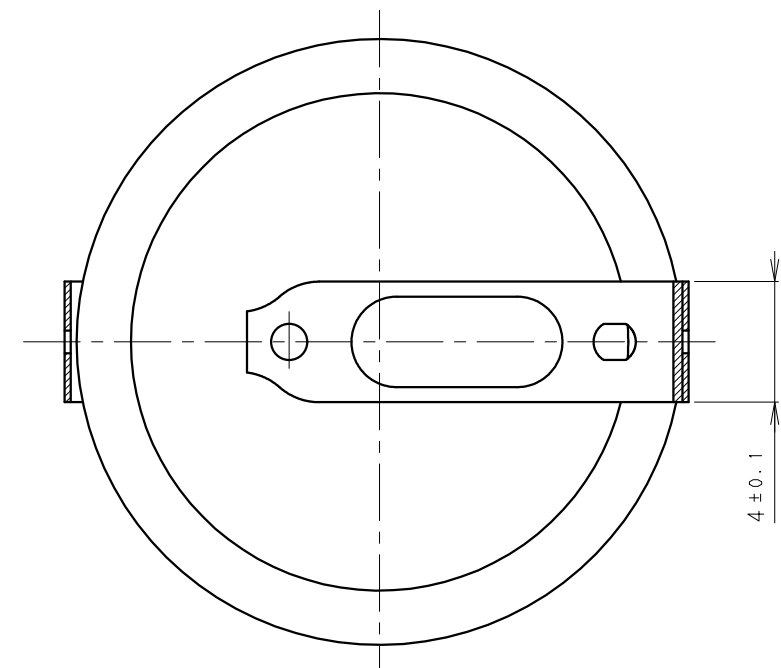
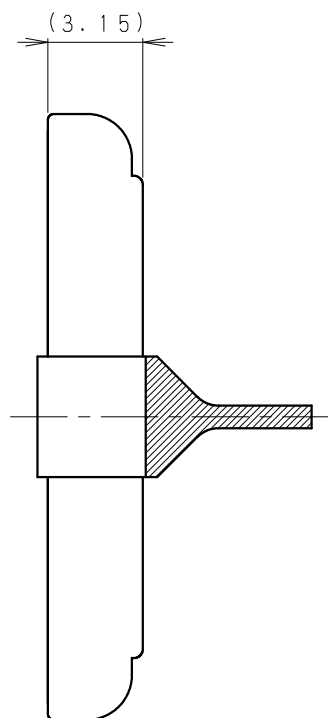
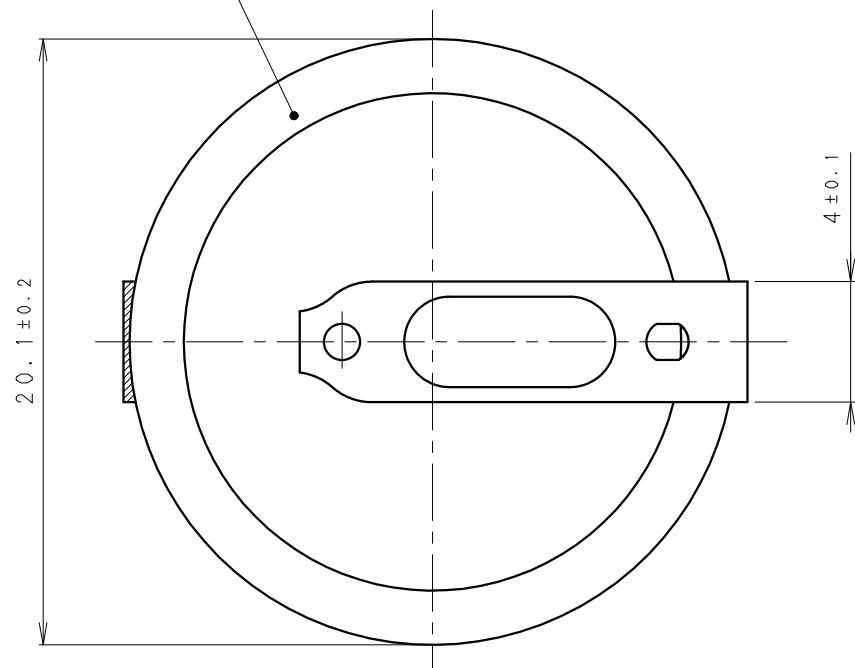
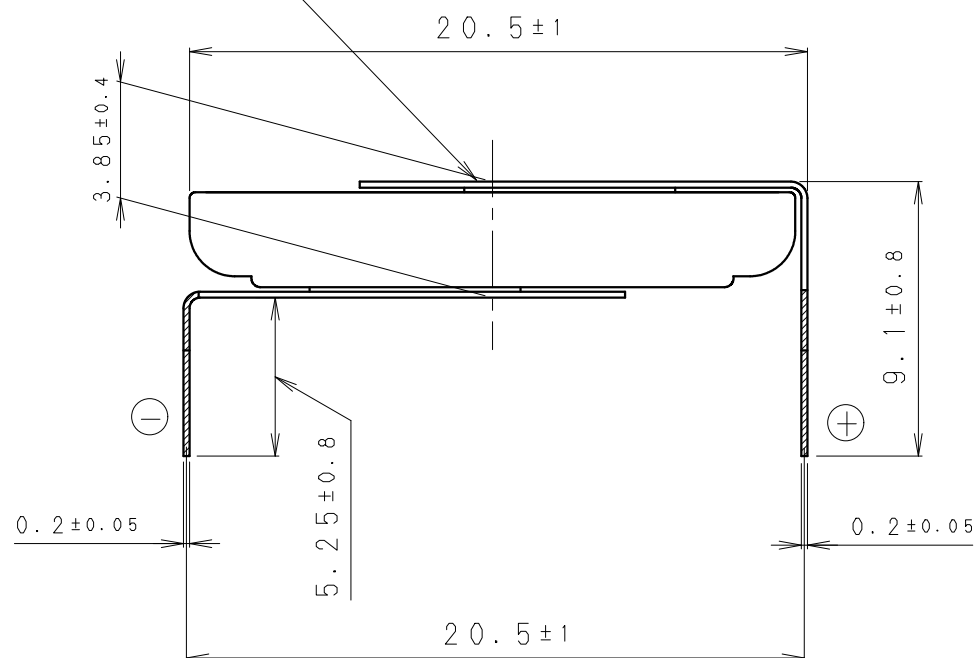
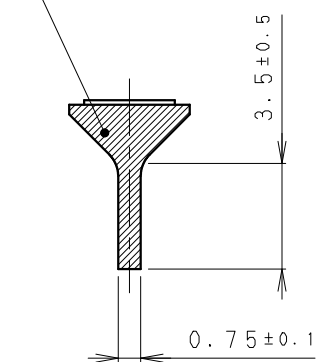


INSULATOR (YELLOW)  
[絶縁チューブ(黄色)]

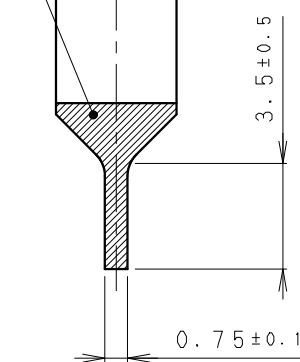


DATE CODE INDICATION  
ON THIS SIDE [ロット表示面]

TIN PLATING  
[Snめっき]



TIN PLATING  
[Snめっき]



NOTE [注記]

1. NOMINAL VOLTAGE: 3V [公称電圧3V]
2. TAB WELDING STRENGTH OVER 19.6N [端子溶接強度: 19.6N以上]
3. TAB MATERIAL: STAINLESS STEEL WITH TIN PLATING [端子材料: 基材 ステンレス/表面 部分Snめっき]
4. ( ): REFERENCE DIMENSION AND ANGLE [ ( ) 寸法、角度は参考値]

PRODUCT NO.	BR-2032/HFK	SCALE	4:1
DRAWING NO.	PMHA3Z	UNIT: mm	