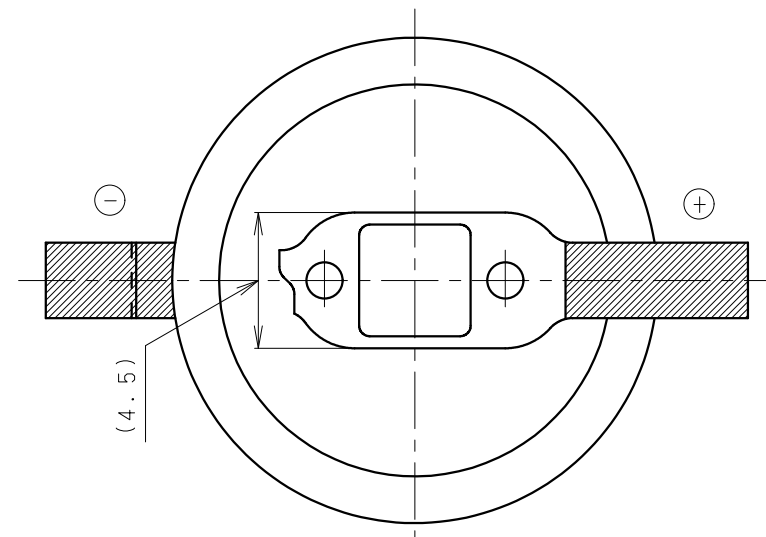
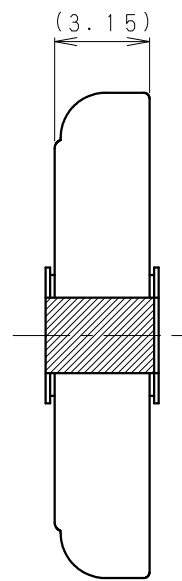
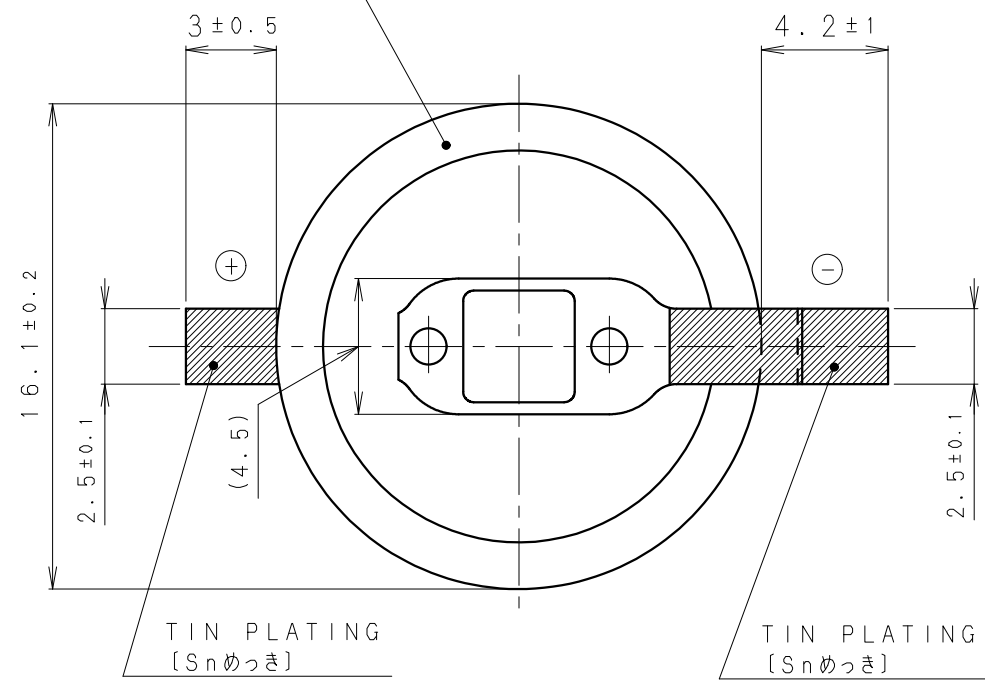
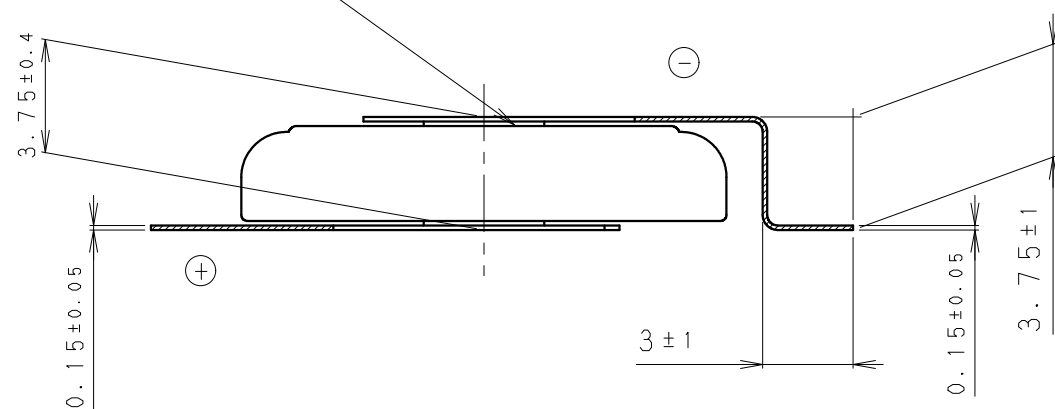


INSULATOR (FRESH GREEN)
 [絶縁チューブ (フレッシュグリーン色)]



DATE CODE INDICATION
 ON THIS SIDE [ロット表示面]



NOTE [注記]

- NOMINAL VOLTAGE: 3V [公称電圧: 3V]
- TAB WELDING STRENGTH OVER 14.7N [端子溶接強度: 14.7N以上]
- TAB MATERIAL: STAINLESS STEEL WITH TIN PLATING [端子材料: 基材 ステンレス/表面 部分Snめっき]
- (): REFERENCE DIMENSION AND ANGLE [() 寸法、角度は参考値]

PRODUCT NO.	BR-1632A/FAK	SCALE	4:1
DRAWING NO.	MMFA6Z	UNIT: mm	