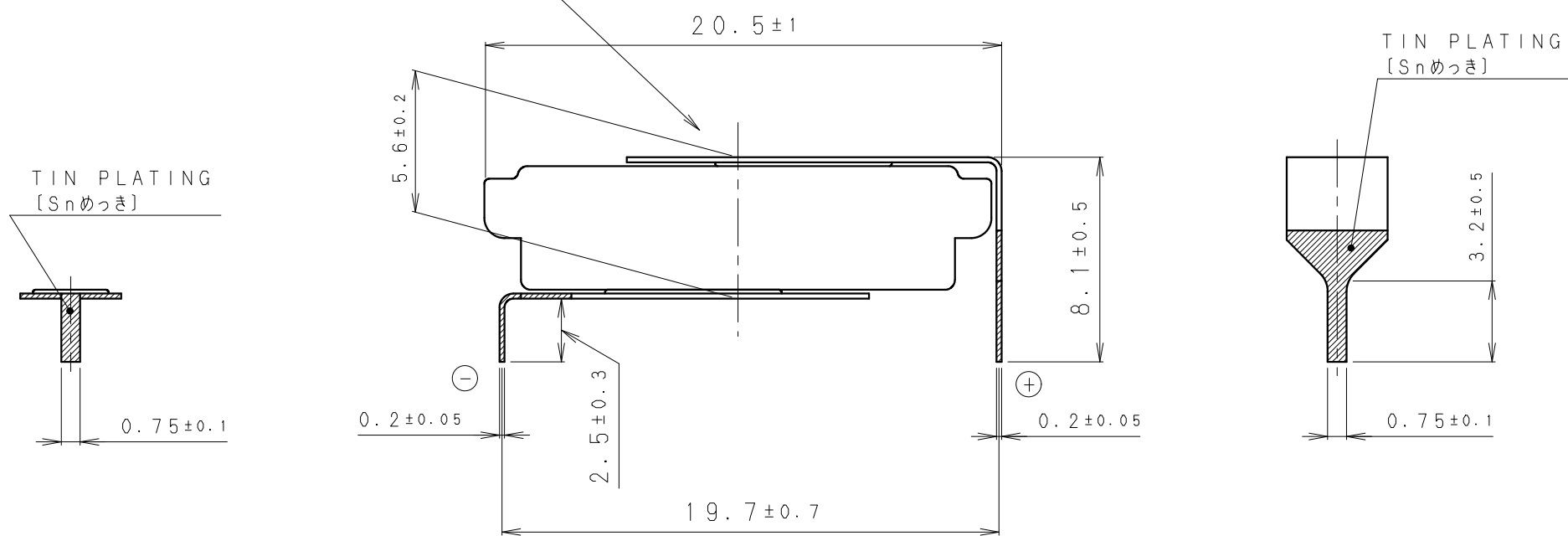


DATE CODE INDICATION  
ON THIS SIDE (ロット表示面)



NOTE [注記]

1. NOMINAL VOLTAGE: 3V [公称電圧: 3V]
2. TAB WELDING STRENGTH OVER 19.6N [端子溶接強度: 19.6N以上]
3. TAB MATERIAL: STAINLESS STEEL WITH TIN PLATING [端子材料: 基材 ステンレス/表面 部分Snめっき]
4. ( ): REFERENCE DIMENSION AND ANGLE [ ( ) 寸法、角度は参考値]

PRODUCT NO.	CR-2050A/HCN	SCALE	4:1
DRAWING NO.	PD-CR-2050A/HCN	 UNIT: mm	