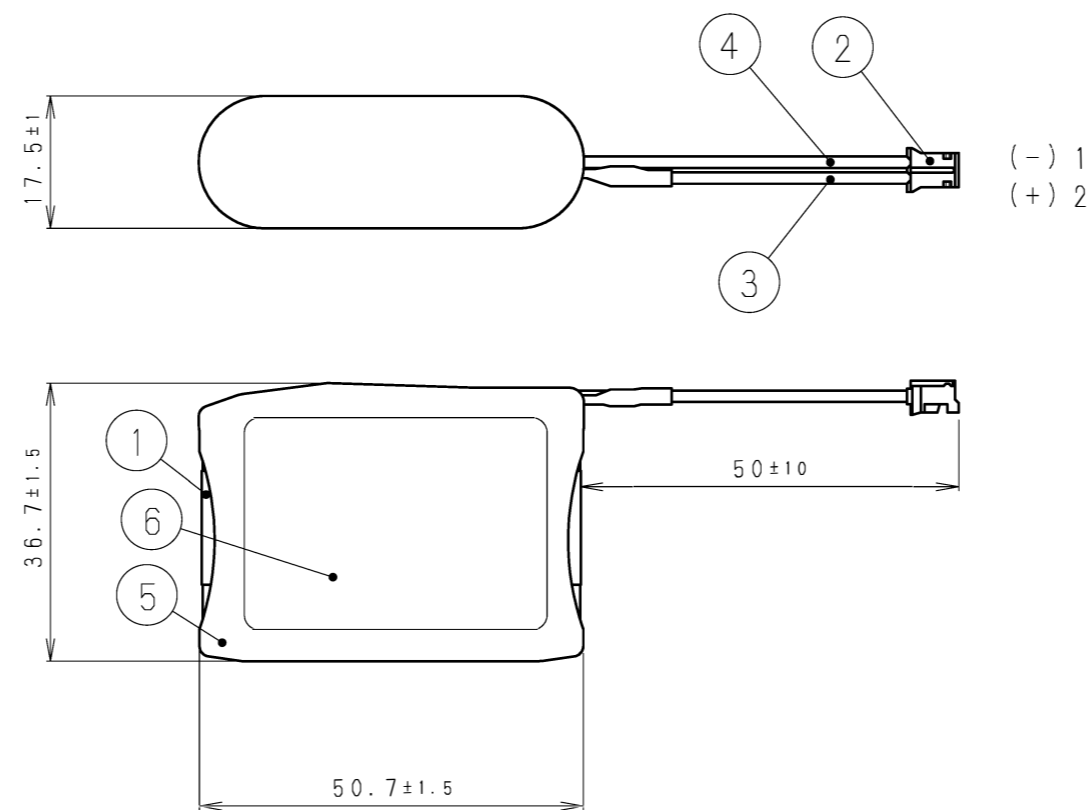
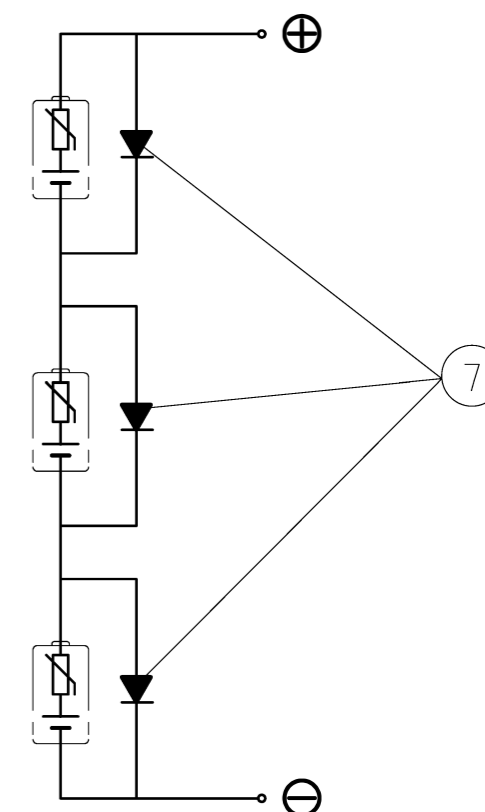


**未量産品 / Under development**  
**量産スケジュールについては当社にお問合せ下さい / Please consult Panasonic as for Mass production schedule.**  
**As of April, 2020.**



CIRCUIT DIAGRAM  
 [回路図]



| No | CONTENTS [内容]            |  |
|----|--------------------------|--|
| ①  | BATTERY [素電池]            | CR-2/3AN : PLAIN GRAY<br>3-BATTERIES SERIES [3本直列] |
| ②  | CONNECTOR [コネクタ]         | JST [日本圧着端子製造]                                     |
|    | HOUSING [ハウジング]          | PHR-2  |
|    | TERMINAL [ターミナル]         | SPH-002T-P0.5S : TIN PLATING                       |
| ③  | (+) LEAD WIRE [(+) リード線] | UL AWM3385 AWG24 : RED                             |
| ④  | (-) LEAD WIRE [(-) リード線] | UL AWM3385 AWG24 : BLACK                           |
| ⑤  | OUTER TUBE [外装チューブ]      | HEAT SHRINKABLE TUBE [熱収縮チューブ]                     |
| ⑥  | LABEL [ラベル]              | PET  |
| ⑦  | PROTECTION DEVICE [保護素子] | DIODE [ダイオード]                                      |

NOTE [注記]  
 1. NOMINAL VOLTAGE : 9V [公称電圧 : 9V]  
 2. ( ) : REFERENCE DIMENSION AND ANGLE [ ( ) 寸法、角度は参考値]

|             |                    |       |          |
|-------------|--------------------|-------|----------|
| PRODUCT NO. | CR-2/3ANx3S (V)    | SCALE | 1:1      |
| DRAWING NO. | PC-CR-2/3ANx3S (V) |       | UNIT: mm |