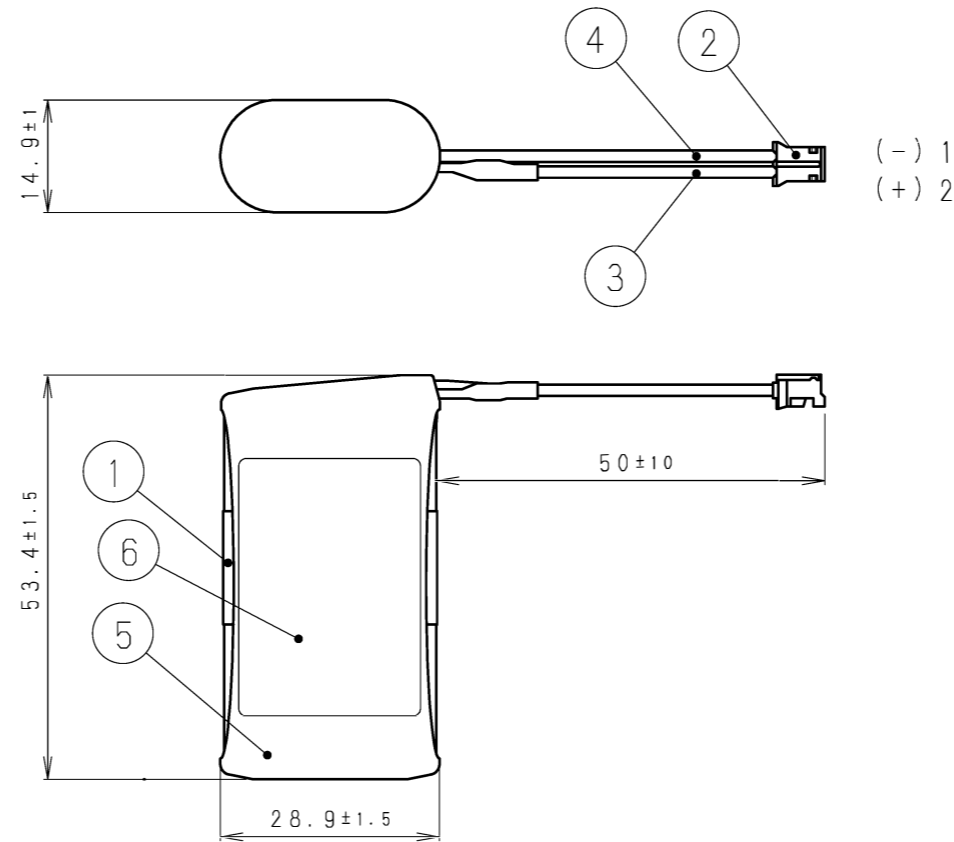
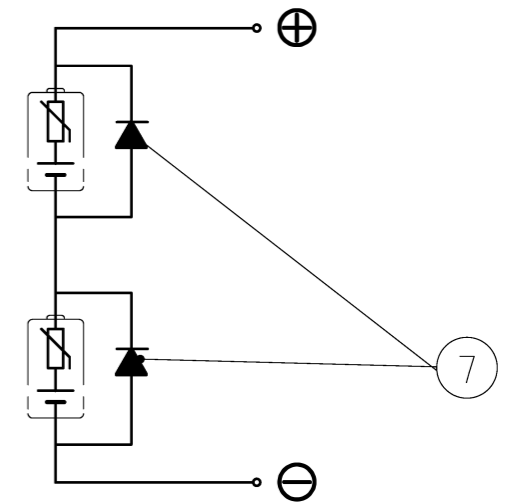


未量産品 / Under development
量産スケジュールについては当社にお問合せ下さい / Please consult Panasonic as for Mass production schedule.
As of December, 2020.



CIRCUIT DIAGRAM
 [回路図]



| No | CONTENTS [内容] | |
|----|--------------------------|--|
| ① | BATTERY [素電池] | CR-AAU : BLUE 2-BATTERIES SERIES [2本直列] |
| ② | CONNECTOR [コネクタ] | JST [日本圧着端子製造] |
| | HOUSING [ハウジング] | PHR-2 |
| | TERMINAL [ターミナル] | SPH-002T-P0.5S : TIN PLATING |
| ③ | (+) LEAD WIRE [(+) リード線] | UL AWM3385 AWG24 : RED |
| ④ | (-) LEAD WIRE [(-) リード線] | UL AWM3385 AWG24 : BLACK |
| ⑤ | OUTER TUBE [外装チューブ] | HEAT SHRINKABLE TUBE [熱収縮チューブ] |
| ⑥ | LABEL [ラベル] | PET |
| ⑦ | PROTECTION DEVICE [保護素子] | DIODE [ダイオード] |

NOTE [注記]

1. NOMINAL VOLTAGE : 6V [公称電圧 : 6V]
2. () : REFERENCE DIMENSION AND ANGLE [() 寸法、角度は参考値]

| | | | |
|-------------|--------------------|-------|-----------|
| PRODUCT NO. | CR-AAU x 2S (V) | SCALE | 1 : 1 |
| DRAWING NO. | PC-CR-AAU x 2S (V) | | UNIT : mm |