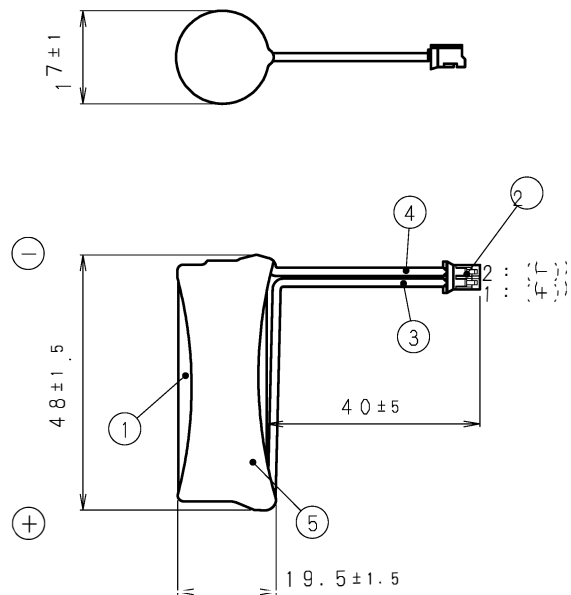
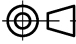


未量産品 / Under development
 量産スケジュールについては当社にお問合せ下さい / Please consult Panasonic as for Mass production schedule.
 As of June, 2021.



No	CONTENTS (内容)	
(1)	BATTERY [素電池]	CR-AGZ : PANASONIC LAVENDER
(2)	CONNECTOR	JST
	HOUSING	PHR-2
	TERMINAL	SPH-002T-P0.5S : TIN PLATING [Snめっき]
(3)	(+) LEAD WIRE	UL AWM3385 AWG24 : RED
(4)	(-) LEAD WIRE	UL AWM3385 AWG24 : WHITE
(5)	OUTER TUBE [外装チューブ]	HEAT SHRINKABLE TUBE : TRANSPARENT [透明]

NOTE [注記]
 1. NOMINAL VOLTAGE : 3V [公称電圧 : 3V]
 2. () : REFERENCE DIMENSION AND ANGLE [() 寸法、角度は参考値]

PRODUCT NO.	CR-AGZC22K	SCALE	1 : 1
DRAWING NO.	PD-CR-AGZC22K		 UNIT : mm